

# VERTIV™ VRC-S THERMAL SEPARATION KIT



## Quick Installation Guide

When Vertiv™ VRC split or self-contained cooling units are assembled in a Vertiv™ VR rack system, installing the Vertiv™ VRC-S thermal separation kit ensures the cooling units operate properly. Before installing the thermal separation kit, verify the kit size corresponds with your Vertiv™ VR rack (600 mm/23.62" or 800 mm/31.5").

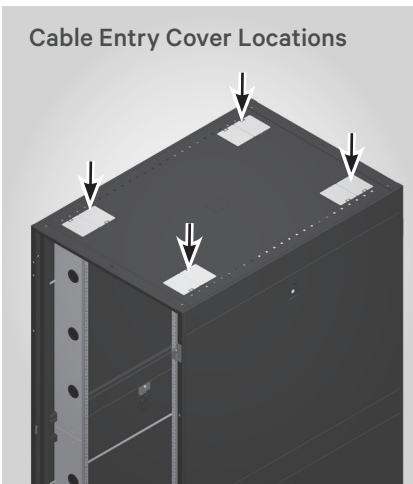
### Required Mounting Tools

- Imbus 6 mm/ 15/64"
- Bits: T30, T20
- Wrench 7 mm/ 9/32"

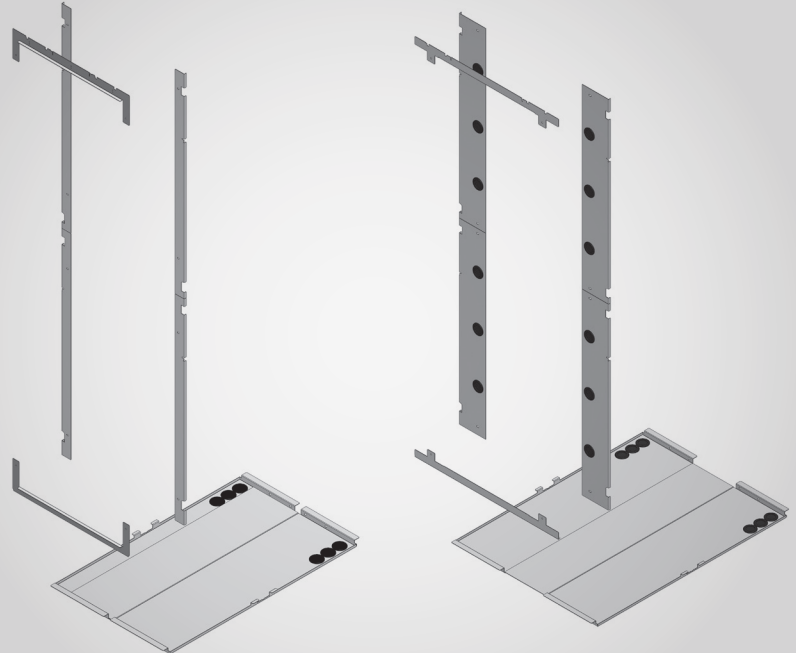
### Replacing cable entry covers and moving the profile

1. At the top of the Vertiv™ VR rack, remove the plastic cable entry covers.
2. Replace each entry cover with two brush strips (provided).
3. In the front of the Vertiv™ VR rack, move the 19" profile so it is 124 mm/4.88" from the outer edge of the Vertiv™ VR rack.
4. Ensure there is also 737 mm/29" between the front and rear profiles.

### Cable Entry Cover Locations



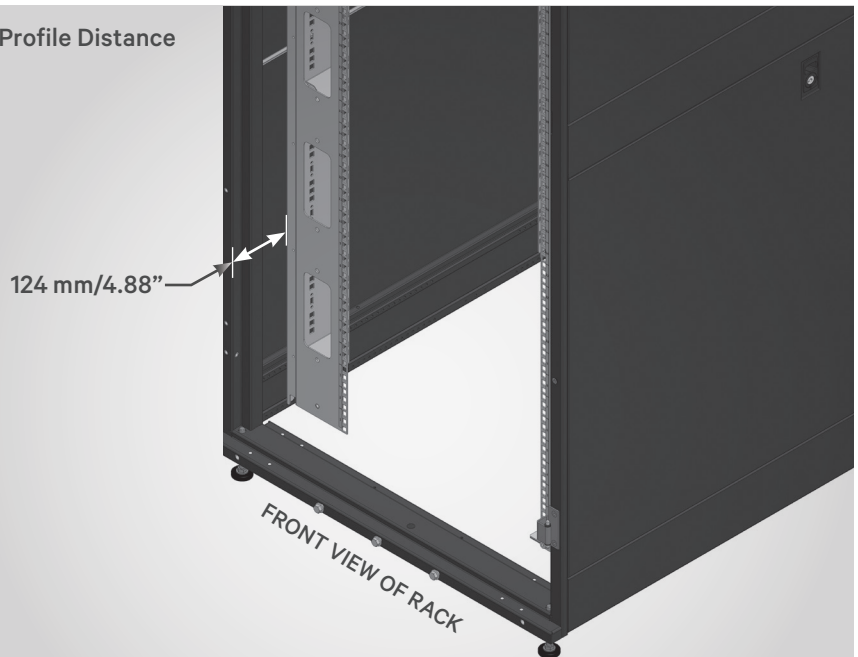
### Thermal Separation Kit Options



600 mm/23.62" kit

800 mm/31.5" kit

### Profile Distance

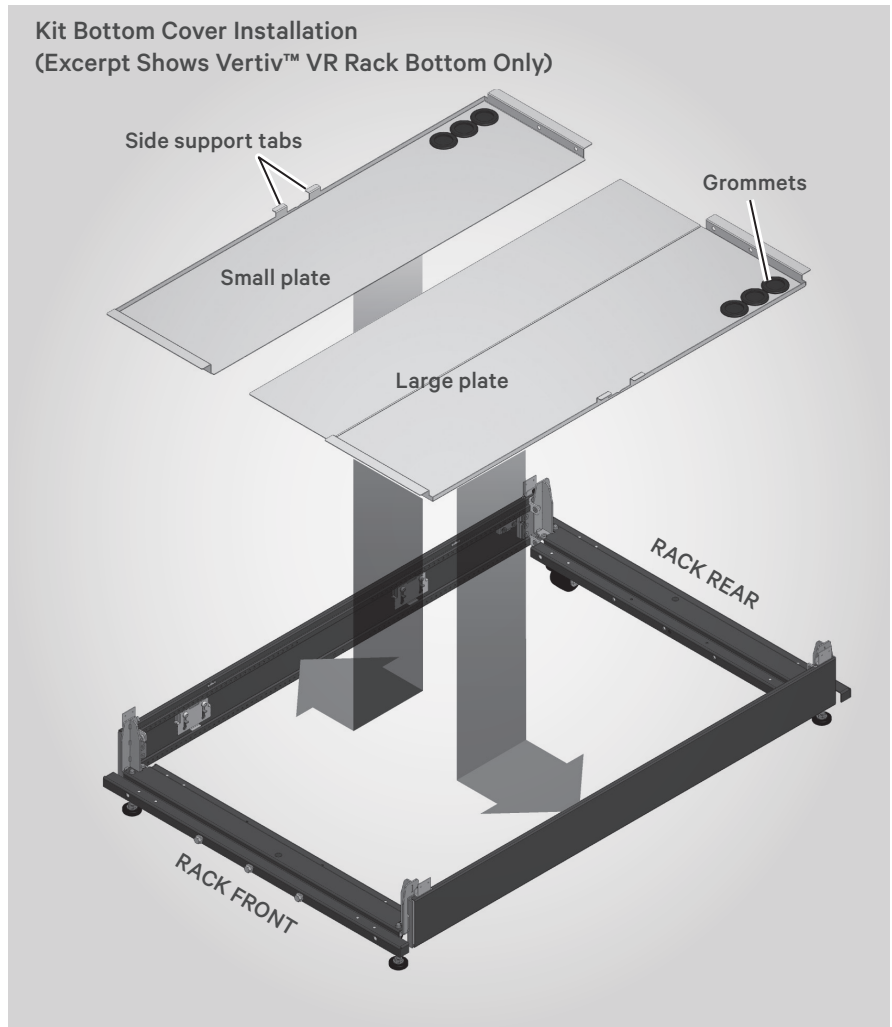


### Installing kit bottom covers

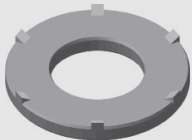
The bottom of the Vertiv™ VRC-S thermal separation kit contains one small and one large metal plate. Two fastener sets (screws and washers) per plate are used to attach the plates to the frame of the Vertiv™ VR rack.

**NOTE:** The outer plate holes are used for the 600 mm/23.62" Vertiv™ VR rack, and the inner plate holes are used for the 800 mm/31.5" Vertiv™ VR rack.

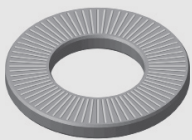
1. Insert the small plate into the bottom of the Vertiv™ VR rack, ensuring the plate grommets are towards the rear.
2. Slide the plate as far to the left as it will go, lifting slightly so the "noses" of the two side support tabs rest on the cabinet frame.
3. Fasten it in place with M8x12 (inbus drive) screws and M8 contact washers (10.16 Nm/7.5 ft-lb torque).



### Contact Washer Faces



**Toothed face**  
(this side facing floor plate)



**Grooved face**  
(this side facing screw head)

**NOTE:** Be sure that the toothed side of the contact washer is against the floor plate to ensure proper grounding.

4. Repeat steps 1-3 for the large plate, noting this plate will slide right instead of left (step 2).

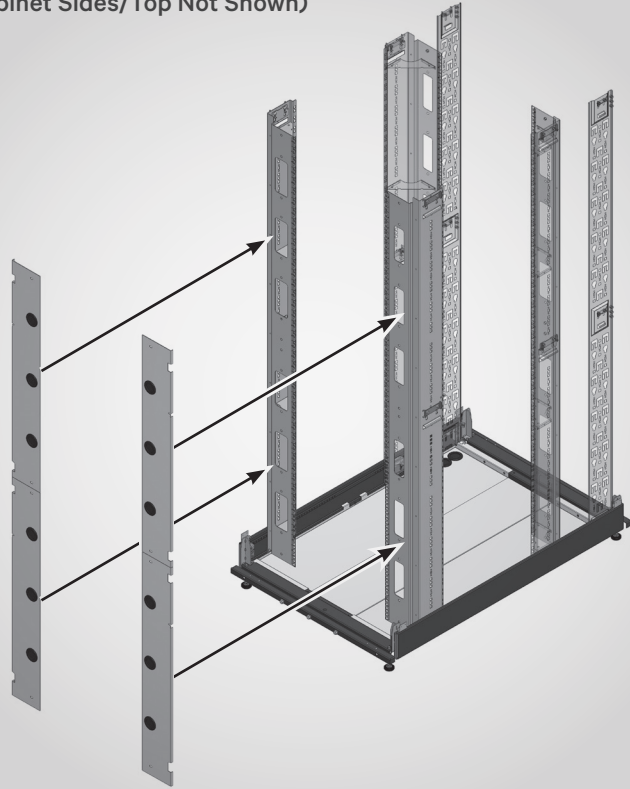


### Installing kit side covers

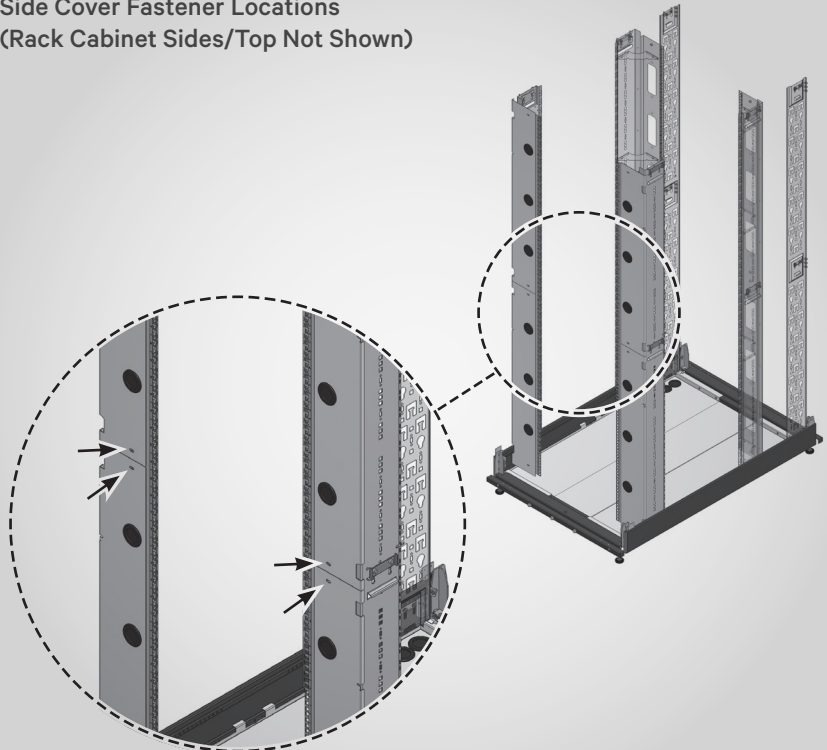
The Vertiv™ VRC-S thermal separation kit side covers are comprised of four plates (two per side). The covers should be placed so the grommets are closest to the Vertiv™ VR rack center line.

1. Referencing the Side Cover Fastener Locations image to pinpoint the appropriate holes at the midpoint of the upright, fasten the plates to the Vertiv™ VR rack uprights. Options vary based on your Vertiv™ VR rack size:
  - 600 mm/23.62": M4x12 pan head screws, M4 hex nuts (2.8 Nm/2.07 ft-lb torque).
  - 800 mm/31.5": M6x12 T30 pan head screws only (5.6 Nm/4.13 ft-lb torque).
2. Leave the top and bottom holes open for later use.

**Kit Side Cover Installation**  
(Rack Cabinet Sides/Top Not Shown)

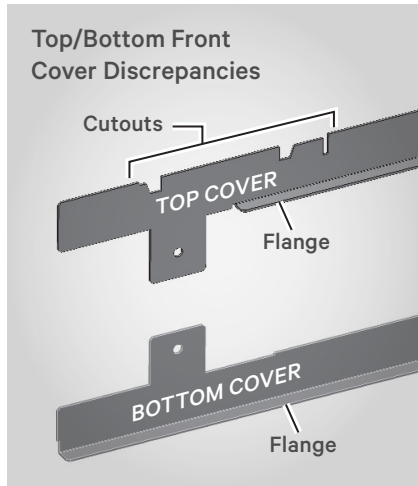


**Side Cover Fastener Locations**  
(Rack Cabinet Sides/Top Not Shown)



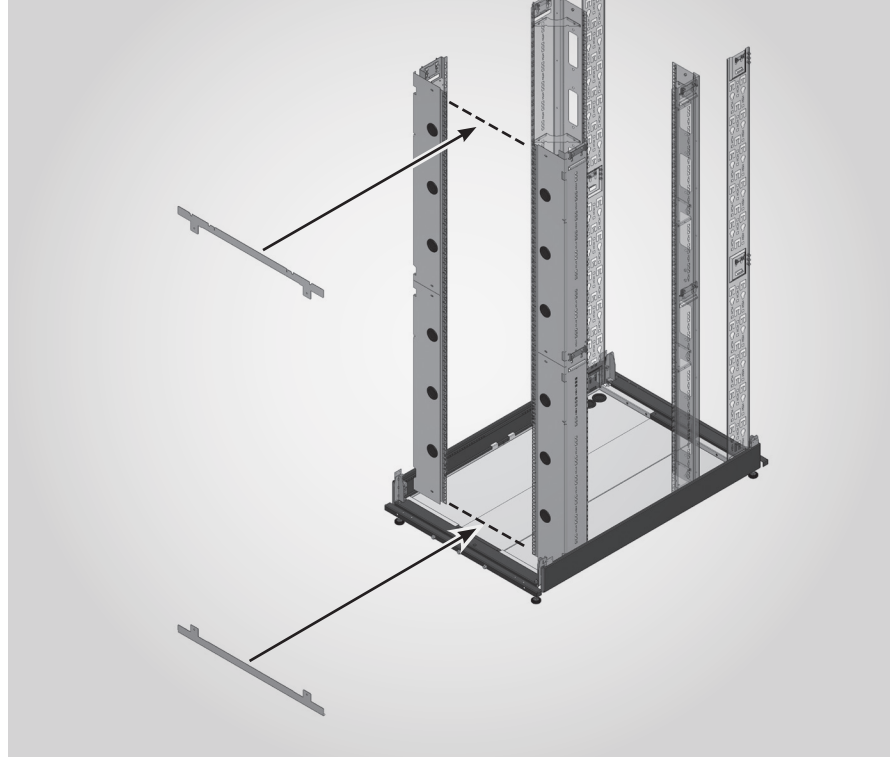
## Installing kit front covers

The Vertiv™ VRC-S thermal separation kit front top cover is identified by cutouts located along the edge opposite of its flange. The front bottom cover has no cutouts; its flange runs from end to end.



1. Place the front top cover in position at the top of the Vertiv™ VR rack; the ends overlap the installed side covers. Positioning varies depending on rack size:
  - 600 mm/23.62": Flanges on the front top (and bottom) covers must point toward the front of the Vertiv™ VR rack.
  - 800 mm/31.5" Flanges on the front top (and bottom) covers must point toward the rear of the Vertiv™ VR rack.
2. Align the front top cover mounting holes with the unfastened side cover mounting holes and fasten in place with two M4x12 pan head screws and M4 hex nuts (2.8 Nm/2.07 ft-lb torque).
3. Repeat steps 1-2 to install the front bottom cover.

**Top/Bottom Front Cover Mounting Locations**  
(Rack Cabinet Sides/Top Not Shown)



**Top/Bottom Front Cover Fastener Locations**  
(Rack Cabinet Sides/Top Not Shown)



## To contact Vertiv technical support: visit [Vertiv.com](http://Vertiv.com)

© 2019 Vertiv Group Corp. All rights reserved. Vertiv and the Vertiv logo are trademarks or registered trademarks of Vertiv Group Corp. All other names and logos referred to are trade names, trademarks or registered trademarks of their respective owners. While every precaution has been taken to ensure accuracy and completeness herein, Vertiv Group Corp. assumes no responsibility, and disclaims all liability, for damages resulting from use of this information or for any errors or omissions. Specifications are subject to change without notice.

