



Liebert®

STS2™

User Manual—100-1000A, 50/60Hz

The information contained in this document is subject to change without notice and may not be suitable for all applications. While every precaution has been taken to ensure the accuracy and completeness of this document, Vertiv assumes no responsibility and disclaims all liability for damages resulting from use of this information or for any errors or omissions. Refer to other local practices or building codes as applicable for the correct methods, tools, and materials to be used in performing procedures not specifically described in this document.

The products covered by this instruction manual are manufactured and/or sold by Vertiv. This document is the property of Vertiv and contains confidential and proprietary information owned by Vertiv. Any copying, use or disclosure of it without the written permission of Vertiv is strictly prohibited.

Names of companies and products are trademarks or registered trademarks of the respective companies. Any questions regarding usage of trademark names should be directed to the original manufacturer.

Technical Support Site

If you encounter any installation or operational issues with your product, check the pertinent section of this manual to see if the issue can be resolved by following outlined procedures. Visit <https://www.VertivCo.com/en-us/support/> for additional assistance.

TABLE OF CONTENTS

IMPORTANT SAFETY INSTRUCTIONS	1
SAVE THESE INSTRUCTIONS	1
OVERVIEW OF MANUAL	2
1.0 SAFETY PRECAUTIONS	3
2.0 UNPACKING AND INSPECTIONS	4
2.1 External Inspections	4
2.2 Unloading and Handling	4
2.2.1 Handling Considerations	5
2.2.2 Unit Preparation	5
2.3 Internal Inspections	5
3.0 LOCATION CONSIDERATIONS	6
3.1 Recommended Minimum Service Clearances	6
3.2 Heat Output	6
3.3 Operating Environment	6
3.4 Altitude	7
4.0 LOCATING THE LIEBERT® STS2™	8
4.1 Leveling and Anchoring the Unit to the Floor	8
4.2 Leveling of the Static Switch Without Anchoring	8
4.3 Leveling and Anchoring the Static Switch Using Floor Stand	8
5.0 POWER AND CONTROL WIRING	9
5.1 Input And Output Power Connections	9
5.1.1 Grounding	9
5.2 System Grounding	10
5.3 Control Wiring Connections	12
5.4 Power Supply	12
6.0 OPTIONS	13
6.1 Programmable Relay Board	13
6.2 Optimized Transfer	13
6.3 Distribution Cabinet With I-Line Panelboard—100-600A Units Only	13
6.4 Input Contact Isolator Board	13
6.5 Comms Board	14
6.6 Liebert® IntelliSlot™ Unity-DP™ Card	14
6.7 LED Display	14
6.8 Remote Source Selection Wiring	14
6.9 Key Lockout Switch	15
6.10 Redundant Output Breaker	15
6.11 Transfer Inhibit	15
6.12 Input Junction Box Installation—Optional	15
6.13 Seismic Floor Anchors	16

6.14	Seismic Floor Stand.....	16
7.0	INSTALLATION DRAWINGS	17
8.0	INTRODUCTION TO LIEBERT® STS2™ OPERATIONS	54
8.1	System Description.....	54
8.1.1	Redundancy.....	54
8.1.2	Reliability and Agency Requirements	55
8.1.3	Factory Backup and Service Assistance.....	55
8.2	Modes of Operation.....	55
8.2.1	Normal (Preferred Source)	55
8.2.2	Transfer	55
8.2.3	Transfer Inhibit	56
8.2.4	Bypass.....	56
8.3	Operator Controls.....	56
9.0	THEORY OF OPERATION	57
9.1	General Description.....	57
9.1.1	Liebert® STS2™ Static Transfer Switch.....	57
9.1.2	Source Transfer	57
9.1.3	Automatic Transfer/Retransfer.....	57
9.1.4	Emergency Transfer.....	58
9.1.5	Load Current Transfer Inhibit	58
9.1.6	SCR Failure	58
9.1.7	On/Off Sequence.....	58
9.2	Detailed Component Description.....	59
9.2.1	Controls	59
9.2.2	Circuit Breakers	59
9.2.3	SCR's	60
9.2.4	Logic Modules.....	60
9.2.5	Audible Alarm	60
9.2.6	RS-232 Port.....	60
10.0	OPERATING INSTRUCTIONS FOR THE TOUCHSCREEN INTERFACE ..	61
10.1	Normal System Startup.....	62
10.2	Manual Transfer / Preferred Source Selection	62
10.3	Enabling Remote Source Selection	64
10.4	Maintenance Bypass.....	64
10.4.1	Bypass Procedures for Source 1.....	66
10.4.2	Bypass Procedures for Source 2.....	67
10.5	Normal System Shutdown	67
10.5.1	Shutdown in Static Transfer Switch Mode.....	67
10.5.2	Shutdown in Maintenance Bypass Mode.....	67
11.0	ALARM AND FAULTS.....	68
11.1	Event Mask	68
11.2	Event and History Logs.....	68
11.2.1	Event Log.....	69
11.2.2	History Log	69
11.3	Alarm Notes	70

11.4	List of Messages	70
12.0	COMMUNICATION INTERFACES.....	73
12.1	Using the RS-232 Port	73
12.1.1	Connecting and Using a Terminal	74
12.1.2	Configuring the Liebert® STS2™ via the Terminal	75
12.1.3	Setting Bitpacked Options with the Terminal	77
12.1.4	Setting Event Masks with the Terminal.....	80
13.0	LIEBERT® STS2™ TOUCHSCREEN DISPLAY.....	81
13.1	Display Overview	81
13.2	Menu Overview	82
13.2.1	Security	83
13.3	Mimic Display	84
13.4	Event Controls	84
13.5	Event Display	84
13.6	Menu Bar.....	84
13.7	Configuration Menu.....	84
13.7.1	System Ratings.....	84
13.7.2	Event Masks.....	84
13.7.3	User Settings.....	86
13.7.4	System Settings.....	90
13.8	Comm Options.....	90
13.8.1	Configuring the Input Contact Isolator Settings	91
13.8.2	Configuring the Programmable Relay Board Settings.....	92
13.8.3	Configuring the Liebert® IntelliSlot™ Unity-DP™ Card.....	93
13.8.4	Liebert® SiteScan® Configuration.....	94
13.8.5	Saving Your Communication Configurations.....	94
13.9	System Options.....	94
13.10	System ID.....	95
13.11	Logs	96
13.11.1	Event Log.....	96
13.11.2	History Log	96
13.12	Source Transfers.....	97
13.13	Startup Procedure	97
13.14	Bypass Procedure	97
13.15	Help.....	97
13.16	Logo	97
13.17	Cleaning the LCD Touchscreen.....	97
14.0	OPERATING THE LIEBERT® STS2™ LED DISPLAY	98
14.1	LED's and Buttons and Key Lockout Switch	98
14.1.1	Front Panel Controls.....	98
14.1.2	LED and Push Button Description.....	99
14.1.3	Event Controls.....	99
14.1.4	Key Lockout Switch	100

14.2	Operations	100
14.2.1	Normal System Startup	100
14.2.2	Manual Transfer / Preferred Source Selection	101
14.2.3	Maintenance Bypass	102
14.2.4	Normal System Shutdown	104
15.0	SPECIFICATIONS	105
15.1	System Configuration	105
15.1.1	Frequency	105
15.1.2	Input/Output Voltage	105
15.1.3	System Current Ratings	105
15.1.4	Grounding	106
15.1.5	Electrical Requirements	106
15.1.6	Input Surge Suppression	106
15.1.7	Response Time	106
15.1.8	Environmental Requirements	106
15.2	System Components	106
15.2.1	Frame and Enclosure	107
15.2.2	Casters, Leveling and Seismic Anchoring	107
15.2.3	Cooling	107
15.2.4	Access	108
15.2.5	Circuit Breakers	108
15.2.6	Cable Entrance	108
15.2.7	Doors	108
15.2.8	Color Graphical Display or LED Display	108
15.2.9	RS-232 Port	109
15.2.10	Terminal Port Connections	109
15.2.11	RS-232 Interface Parameters	109
15.2.12	Maintenance Bypass	110
15.2.13	Fuseless Design	110
15.2.14	Options	110
16.0	EVENT MESSAGE HELP TEXT	111
17.0	MAINTENANCE	126
17.1	Proper Tightening of Nuts and Bolts	126
17.2	Testing the Liebert® STS2™	126
17.3	Changing the Air Filter	126
	APPENDIX A - SUPPORT INFORMATION	A127
	APPENDIX B - PROGRAMMABLE RELAY BOARD SETTINGS RECORD	A128
	APPENDIX C - INPUT CONTACT ISOLATOR SETTINGS RECORD	A130

FIGURES

Figure 1	Maximum ambient temperature for full load operation at higher altitudes.....	7
Figure 2	Typical static transfer switch one-line diagram	10
Figure 3	Typical one-line diagram of two PDUs and a Liebert® STS2™	11
Figure 4	Outline drawing: 100 – 250 amp Liebert® STS2™	17
Figure 5	Outline drawing: 400 – 600 amp Liebert® STS2™	18
Figure 6	Outline drawing: 800 – 1000 amp Liebert® STS2™	19
Figure 7	Outline drawing: 100 – 250amp Liebert® STS2™ with a key lockout switch option ..	20
Figure 8	Outline drawing: 400 – 600 amp Liebert® STS2™ with a key lockout switch option	21
Figure 9	Outline drawing: 800 – 1000 amp Liebert® STS2™ with the key lockout switch option 22	
Figure 10	Seismic anchor drawing: 100 – 250 amp Liebert® STS2™	23
Figure 11	Seismic anchor drawing: 400 – 600 amp Liebert® STS2™	24
Figure 12	Seismic anchor drawing: 800 – 1000 amp Liebert® STS2™	25
Figure 13	Electrical field connections drawing: 100 – 250 amp Liebert® STS2™ with single out- put breaker	26
Figure 14	Electrical field connections drawing: 100 – 250 amp Liebert® STS2™ with dual output breakers.....	27
Figure 15	Electrical field connections drawing: 400 – 600 amp Liebert® STS2™ with single out- put breaker	28
Figure 16	Electrical field connections drawing: 400 – 600 amp Liebert® STS2™ with dual output breakers.....	29
Figure 17	Electrical field connections drawing: 800 – 1000 amp Liebert® STS2™ with single out- put breaker	30
Figure 18	Electrical field connections: 800 – 1000 amp Liebert® STS2™ with dual output break- ers31	
Figure 19	Control connection location diagram: 100 – 600 amp Liebert® STS2™	32
Figure 20	Control connection location diagram: 800 – 1000 amp Liebert® STS2™	33
Figure 21	Control wiring for remote source selection option	34
Figure 22	Control wiring for the programmable relay board option.....	35
Figure 23	Control wiring for the input contact isolator board option	36
Figure 24	Control wiring for Comms board	37
Figure 25	Control wiring for the Liebert® IntelliSlot™ Unity-DP™ Card	38
Figure 26	Control wiring for the RS-232 port	39
Figure 27	Outline drawing for input junction box	40
Figure 28	LED display.....	41
Figure 29	Installation drawing, seismic floor stand 100-250A	42
Figure 30	Installation drawing, seismic floor stand 100-250A	43
Figure 31	Installation drawing, seismic floor stand 100-250A	44
Figure 32	Installation drawing, seismic floor stand 100-250A	45
Figure 33	Installation drawing, seismic floor stand 400-600A	46
Figure 34	Installation drawing, seismic floor stand 400-600A	47
Figure 35	Installation drawing, seismic floor stand 400-600A	48

Figure 36	Installation drawing, seismic floor stand 400-600A	49
Figure 37	Installation drawing, seismic floor stand 800-1000A	50
Figure 38	Installation drawing, seismic floor stand 800-1000A	51
Figure 39	Installation drawing, seismic floor stand 800-1000A	52
Figure 40	Installation drawing, seismic floor stand 800-1000A	53
Figure 41	Liebert® STS2™ touchscreen display	56
Figure 42	Source transfer screen	63
Figure 43	Gate board viewing slot locations	65
Figure 44	Liebert® STS2™ touchscreen display	81
Figure 45	Menus	82
Figure 46	Keyboard and keypad displays	82
Figure 47	Key lockout switch	83
Figure 48	Event mask dialog box	85
Figure 49	User settings dialog box	86
Figure 50	Source setpoints	88
Figure 51	Comm options dialog box	90
Figure 52	Input contact isolator dialog box	91
Figure 53	Programmable relay board dialog box	93
Figure 54	System options	94
Figure 55	Event log	96
Figure 56	History log	96
Figure 57	LED display	98
Figure 58	Key lockout switch	100

TABLES

Table 1	Heat output	6
Table 2	Input/output conduit plate specifications	10
Table 3	Terminal Block 1 and Terminal Block 2 wire connections	12
Table 4	Remote source selection terminal block	15
Table 5	Event messages	71
Table 6	Terminal commands	74
Table 7	Value types	76
Table 8	Group settings and values	76
Table 9	Binary-hexadecimal conversions	79
Table 10	Setpoint parameters	88
Table 11	Standard settings for programmable relays	92
Table 12	LED and push button description	99
Table 13	Input/output voltage	105
Table 14	System current ratings	105
Table 15	Electrical requirements	106
Table 16	Frame sizes	107
Table 17	MTA plug pin-out	109
Table 18	DB9 pin-out	109
Table 19	RS-232 settings	109
Table 20	Torque tightening	126

IMPORTANT SAFETY INSTRUCTIONS

SAVE THESE INSTRUCTIONS

This manual contains important instructions that should be followed during the installation and maintenance of the Liebert® STS2™.



WARNING

The unit is supplied by more than one power source. The unit contains hazardous voltages if any of the input sources are ON, even when the unit is in bypass. To isolate the unit, turn OFF and lock out ALL input power sources.

Verify that all input power sources are de-energized and locked out before making connections inside unit.

Lethal voltages exist inside the unit during normal operation. Only qualified service personnel should perform maintenance on the static switch.



NOTE

Read the entire manual before installing or operating the system. Adhere to all operating instructions and warnings on the unit and in this manual.

Vertiv™ neither recommends nor knowingly sells this product for use with life support or other FDA-designated “critical” devices.

The Liebert® STS2™ is suitable for indoor use only. Protect the unit from excessive moisture and install the unit in an area free from flammable liquids, gases, or corrosive substances.

The unit is designed to operate from solidly grounded AC power sources only. Provide input over-current protection in accordance with the unit ratings. Wire and ground the unit according to national and local electrical safety codes. All wiring should be installed by a qualified electrician.

Before unit is placed into service for the first time, after equipment relocation, or after the unit has been de-energized for an extended period of time, a thorough equipment inspection and supervised startup by qualified service personnel are strongly recommended.




CAUTION

This unit complies with the limits for a Class A digital device, pursuant to Part 15 Subpart J of the FCC rules. These limits provide reasonable protection against harmful interference in a commercial environment. This unit generates, uses and radiates radio frequency energy and, if not installed and used in accordance with this instruction manual, may cause harmful interference to radio communications. Operation of this unit in a residential area may cause harmful interference that the user must correct at his own expense.



WARNING

Locate the center of gravity symbols  and determine the unit's weight before handling the cabinet.

OVERVIEW OF MANUAL

The Liebert® STS2™ Installation, Operation and Maintenance Manual is organized in a logical progression so that you can follow the procedures in the order provided to get your Liebert® STS2™ installed and running.

Read the entire manual before proceeding with the unpacking and installation of the Liebert® STS2™.

The major sections are as follows:

IMPORTANT SAFETY INSTRUCTIONS—review the instructions on the previous page before proceeding.

Support Information—a blank table in which you can enter pertinent data, such as the serial and part numbers, needed when calling Vertiv™ for technical support.

Programmable Relay Board Settings Record—a blank table in which you can document your Programmable Relay Board settings.

Input Contact Isolator Settings Record—a blank table in which you can document your Input Contact Isolator settings.

1.0 - SAFETY PRECAUTIONS—provides safety warnings that you must review before proceeding.

2.0 - UNPACKING AND INSPECTIONS—provides instructions for inspecting, unloading, handling and removing the Liebert® STS2™ from the shipping pallet.

3.0 - LOCATION CONSIDERATIONS—provides information regarding environmental considerations for where the Liebert® STS2™ is installed.

4.0 - LOCATING THE LIEBERT® STS2™—provides instructions for leveling the Liebert® STS2™ and anchoring the unit to the floor, should that be required.

5.0 - POWER AND CONTROL WIRING—provides instructions wiring the Liebert® STS2™ for power and control connections.

6.0 - OPTIONS—lists the options available for the Liebert® STS2™.

7.0 - INSTALLATION DRAWINGS—provides outline, seismic and electrical field connection drawings required for installing the Liebert® STS2™.

8.0 - INTRODUCTION TO LIEBERT® STS2™ OPERATIONS—provides a system description.

9.0 - THEORY OF OPERATION—provides an overview of how the unit works, plus a brief overview of some of the components.

10.0 - OPERATING INSTRUCTIONS FOR THE TOUCHSCREEN INTERFACE—provides instructions for turning the system On and Off, completing a maintenance bypass and selecting a preferred source.

11.0 - ALARM AND FAULTS—provides a list of event messages.

12.0 - COMMUNICATION INTERFACES—discusses the communication ports and provides a list of commands.

13.0 - LIEBERT® STS2™ TOUCHSCREEN DISPLAY—provides instructions for using the HMI touchscreen interface for monitoring and managing the Liebert® STS2™.

14.0 - OPERATING THE LIEBERT® STS2™ LED DISPLAY—provides instructions for operating the LED display unit without the touchscreen display.

15.0 - SPECIFICATIONS—provides specifications for the Liebert® STS2™.

16.0 - EVENT MESSAGE HELP TEXT—provides the help text for the various system event messages. This help is also available through the touchscreen interface.

17.0 - MAINTENANCE—briefly discusses routine maintenance, provides proper torque settings for nuts and bolts, and provides the Vertiv™ contact information for technical support.

1.0 SAFETY PRECAUTIONS

Read this manual thoroughly before working with the Liebert® STS2™.

Be sure to review the warning under **IMPORTANT SAFETY INSTRUCTIONS on page 1**.

Refer to the **Handling Considerations on page 6** before attempting to move the unit.

Under typical operation and with the doors closed, only normal safety precautions are necessary. The area around the Liebert® STS2™ must be kept free from puddles of water, excess moisture and debris. The vent grate in the front of the system must not be obstructed in order to ensure a smooth air flow through the unit for cooling.

ONLY qualified service personnel should perform maintenance on the Liebert® STS2™. When performing maintenance on any part of the equipment under power, service personnel and test equipment should be located on rubber mats. The service personnel should wear insulating shoes for isolation from direct contact with the floor.

Unless all power is removed from the input sources to the unit, one person should never work alone. A second person should be on hand to assist and summon help, should an accident occur.

Three types of messages are used throughout this manual to stress important text. Carefully read the information below each Warning, Caution and Note and use professional skills and prudent care when performing the actions described in that text.

A Warning indicates the presence of a possible serious, life-threatening condition. For example:



WARNING

The unit is supplied by more than one power source. The Unit contains hazardous voltages if any of the input sources is ON, even when the unit is in bypass. To isolate the unit, turn OFF and lock out ALL input power sources.

Verify that all input power sources are de-energized and locked out before making connections inside unit.

Lethal voltages exist inside the unit during normal operation. only qualified service personnel should perform maintenance on the static switch.

A Caution indicates a condition that could seriously damage the equipment and possibly injure personnel. For example:



CAUTION

Risk of unit damage

The input sources to the static switch must be grounded-wye sources. input sources other than solidly grounded-wye sources may cause damage to the switch.

A Note emphasizes important text. If the instructions are not properly followed, the equipment could be damaged or may not properly operate. For example:



NOTE

Read this entire manual before installing and operating the unit.

2.0 UNPACKING AND INSPECTIONS



NOTE

Read the entire manual before installing and operating the unit. Upon receipt of the Liebert® STS2™, the installer should perform the following steps to assure a high-quality installation.

A high-quality installation begins on the receiving dock. The Liebert® STS2™ and its packaging should be inspected when the unit is delivered. If the packaging is not damaged, unpack the unit and conduct an internal inspection before beginning the installation process. This section discusses the inspecting and unpacking of the Liebert® STS2™.

2.1 External Inspections

1. While the Liebert® STS2™ is still on the truck, inspect the equipment and shipping container(s) for any signs of damage or mishandling. Do not attempt to install the system if damage is apparent.
2. Upon receipt and before unpacking, inspect the shipping crate for damage or mishandling. Check the Shock-Watch™ indicator.
 - If the indicator is red, note on shipper's receipt and check for concealed damage.
 - If any damage as a result of shipping is observed, file a damage claim with the shipper within 24 hours and contact Vertiv™ at 800-543-2378 or your local Vertiv™ representative to inform them of the damage claim and the condition of the equipment.
3. Locate the bag containing the keys for the front access door. The bag is attached to the cabinet.
4. Compare the contents of the shipment with the bill of lading. Report any missing items to the carrier and to Vertiv™ immediately.
5. Check the nameplate on the cabinets to verify that the model numbers correspond with the one specified. Record the model numbers and serial numbers in the front of this installation manual. A record of this information is necessary should servicing be required.
6. If unit is to be stored before installation, store it in a dry environment with temperatures in the range of -40°F to 176°F (-40°C to 80°C). Use original packing materials or other suitable means to keep the unit clean. When opening the shipping crate, use care not to puncture the container with sharp objects.

2.2 Unloading and Handling



CAUTION

Risk of unit damage.

When moving the unit by forklift, lift the unit from the rear so as to protect the front panel. Do not exceed a 15 degree tilt with the forklift.

Also, if you are moving the unit by forklift or pallet jack after it has been removed from the pallet, be aware of the location of the casters and leveling feet so as not to damage them.

Most Liebert® STS2™ models are contained in one cabinet. The 800–1000 amp units are contained in two cabinets that are connected together and shipped on one pallet.

Because the weight distribution in the cabinet is uneven, use extreme care during handling and transporting.

The unit can be moved by forklift or pallet jack.

See **2.2.2 - Unit Preparation** on page 6 for instruction on removing the Liebert® STS2™ from the pallet.

2.2.1 Handling Considerations

The static switch is bolted to a wooden shipping pallet to allow handling by forklift equipment or a pallet jack.

Easily Moved — The unit is furnished with integral casters that allow the unit to be rolled into place after it has reached its location and is removed from the pallet.




WARNING

Exercise extreme care when handling static switch cabinets to avoid equipment damage or injury to personnel.

The cabinet can be safely tilted 15 degrees in any direction by forklift.

If moving the unit up a ramp on its casters or a pallet jack, ensure that the incline does not exceed fifteen (15) degrees.

Locate the center of gravity symbols  and determine the unit's weight before handling the cabinet.

Check the unit size and weight — Refer to the cabinet drawings furnished with the unit for size and weight. Typical cabinet dimensions are shown in **Figures 4** through **6**. Typical unit weights are:

100-250 amp	780 lb. (354kg)
400-600 amp	1200 lb. (544kg)
800-1000 amp	2500 lb. (1134kg)

Plan the route — Review the route over which the unit will be transported to its installation location to ensure that all passages are large enough to accommodate the unit and support the weight. Check for any non-negotiable corners or offsets in hallways. Before moving the unit to the intended location, review **3.0 - LOCATION CONSIDERATIONS**.

2.2.2 Unit Preparation

The unit can be removed from the pallet before it is moved to its location.

Complete the following steps to properly remove the Liebert® STS2™ from the shipping pallet:

1. Set the pallet in a level area with enough room to maneuver and remove the unit.
2. Remove the bolts holding the unit to the shipping pallet (located in the base of the unit).
3. Remove the shipping blocks from under the frame of the unit.
4. Use a forklift to raise the unit off the pallet and onto the floor. *Ensure that the forklift is clear of the unit's casters and leveling feet. Lift the unit from the rear.*
5. Conduct an internal inspection of the unit. See the list below of inspection items.

2.3 Internal Inspections

After the Liebert® STS2™ has been unpacked, conduct an internal inspection:

1. Verify that all items have been received.
2. If spare parts were ordered, verify their arrival.
3. After the Liebert® STS2™ has been removed from the pallet, open the door and remove cabinet panels to check for shipping damage to internal components.
4. Check for loose connections or unsecured components in the cabinet(s).
5. Check for any unsafe condition that may be a potential safety hazard.

After the Liebert® STS2™ has been inspected and no problems are found, the unit can be moved to its installation location. If using a forklift, remember to lift the unit from the rear.

3.0 LOCATION CONSIDERATIONS

The Liebert® STS2™ should be placed in a clean, cool and dry location. The Liebert® STS2™ requires only front access for installation and maintenance. Back or side access is not required. Adequate space is required above the unit for conduit (if configured as such) and cooling air flow. This section provides specific information for these considerations.

The unit is designed with top and bottom cable terminations to allow maximum flexibility in its installation. If bottom cable entry is used, sufficient cable bending space must be provided by a raised floor or a floor stand.

For dimensions of each unit, see **Figures 4, 5 and 6** in section **7.0 - INSTALLATION DRAWINGS** on page 19. If your unit is equipped with an optional key lockout switch, see **Figures 7 through 9** for location of that switch.

3.1 Recommended Minimum Service Clearances

The recommended service clearances are at the front of the unit. The minimum service clearance required by the National Electrical Code (NEC) Article 110-26 is 36 in. (91 cm). A site layout review is required to determine the necessary clearance per the NEC. Clearance of at least 18 in. (46 cm) above the unit is required for cooling air flow.

3.2 Heat Output

The unit produces minimal heat during normal operation.

Table 1 Heat output

Switch Size	Heat Output BTU/Hr (kW)
100 amp	2,711 (0.80)
250 amp	4,680 (1.37)
400 amp	6,972 (2.04)
600 amp	10,520 (3.08)
800 amp	13,777 (4.03)
1000 amp	17,390 (5.09)

3.3 Operating Environment

The unit is designed to be installed indoors under the following environmental conditions:

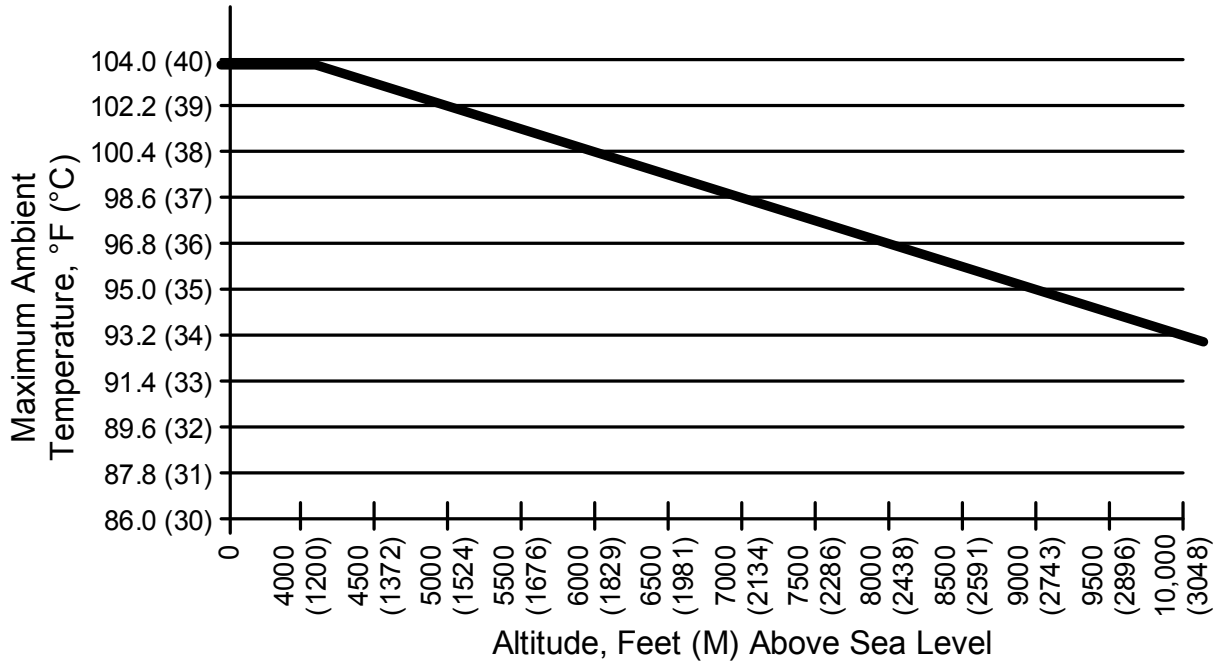
- **Storage Temperature Range:** -40° to +80°C (-40° to 176°F).
- **Operating Temperature Range:** 0° to 40°C (32° to 104°F).
- **Relative Humidity:** 0 to 95% without condensation.
- **Operating Altitude:** Up to 4000 ft. (1200m) above sea level without derating. Above 4000 ft. (1200m), output current is derated by 6% per 1000 ft. (18% per 1000m).
- **Storage/Transport Altitude:** Up to 40,000 ft. (12,200m) above sea level.
- **Audible Noise:** Less than 55 dBA at 5 ft. (1.5m) with audible alarm Off.

3.4 Altitude

The standard units are designed for full load operation up to 4000 feet (1200m) above sea level. Above 4000 feet (1200m), output current is derated by 6% per 1000 feet.

Operation at full load at a higher altitude can be accommodated in ambient temperatures less than 104°F (40°C) ambient. **Figure 1** shows the maximum allowable ambient temperature for full load operation at altitudes above 4000 feet (1200 m).

Figure 1 Maximum ambient temperature for full load operation at higher altitudes



4.0 LOCATING THE LIEBERT® STS2™

This section provides instructions for leveling the Liebert® STS2™ and anchoring the unit to the floor, should that be required.

For leveling feet details, see **Figures 4** through **9**.

4.1 Leveling and Anchoring the Unit to the Floor

The Liebert® STS2™ can be anchored to the concrete floor to ensure stability for the unit in the event of seismic activity.

The seismic brackets are an option for the Liebert® STS2™ and are shipped separately from the unit when ordered.

See **Figures 10** through **12** for instructions and details for installing seismic anchoring.

4.2 Leveling of the Static Switch Without Anchoring

The Liebert® STS2™ is furnished with casters and leveling feet. After final positioning of the unit, adjust the leveling feet located in each corner of the frame base to level and stabilize the unit.

4.3 Leveling and Anchoring the Static Switch Using Floor Stand

The Liebert® STS2™ can be installed using the optional floor stand to support the unit instead of using the raised floor. The Liebert® STS2™ can be rolled or placed using a lift on to the floor stand.

After final positioning of the unit, adjust the leveling feet located in each corner of the frame base to level and stabilize the unit.

The floor stand can also be used to ensure the unit's stability in the event of seismic activity by anchoring the Liebert® STS2™ to the floor stand and to the concrete floor.

The seismic floor stand is shipped separately from the unit when ordered.

See **Figures 29** through **40** for instructions and details for installing seismic floor stand.

5.0 POWER AND CONTROL WIRING

All power and control wiring should be installed by a qualified electrician. All power and control wiring must comply with the NEC and applicable local codes. Unless otherwise labeled, use the recommended tightening torque as shown in **Table 20 - Torque tightening**.

The busbars are accessible through the front of the Liebert® STS2™ and designed to allow one-handed tightening.

Cables can be installed through the top or bottom of the unit through removable conduits plates.

See **Figures 4** through **9** for wiring entrance locations.

Input wiring also can be installed under a raised floor to optional input junction boxes and cables, when used.

5.1 Input And Output Power Connections

If the unit is furnished with input junction boxes, the input power connections are made to the input power terminals located in the junction boxes. Input power cables, furnished with the input junction boxes, are shipped unattached to the unit for connection between the junction boxes and the bus bars provided inside the unit. Input junction box installation is discussed in **6.12 - Input Junction Box Installation—Optional** on page 17.

If input junction boxes are not furnished, the input power connections are made to the bus bars provided inside the unit. These bus bars are accessible through the front of the unit.

Output power connections also are made to the busbars provided inside the unit. These bus bars are accessible through the front of the unit. See **Figures 13** to **18** for details on the bus bars.

Aluminum or copper-clad aluminum wire can be used for equipment ratings 400A and above. Follow minimum wire size ratings provided in submittal drawing PS214004.

5.1.1 Grounding

The Liebert® STS2™ operates from sources that are solidly grounded or impedance-grounded. The unit must not be used on corner-grounded delta systems.

The AC output neutral is electrically isolated from the Liebert® STS2™ chassis. The Liebert® STS2™ chassis shall have an equipment ground terminal.



WARNING

Risk of electric shock. Can cause equipment damage, injury and death.

Verify that all input power and control circuits are de-energized and locked out before making connections inside unit.

The two input power feeds (sources) to the Liebert® STS2™ should be from two independent sources to avoid a common source failure.

To ensure proper operation of the Liebert® STS2™, the two input sources must be the same nominal voltage level and phase rotation.

For uninterrupted automatic transfer, the two input sources should be synchronized within 15 degrees.



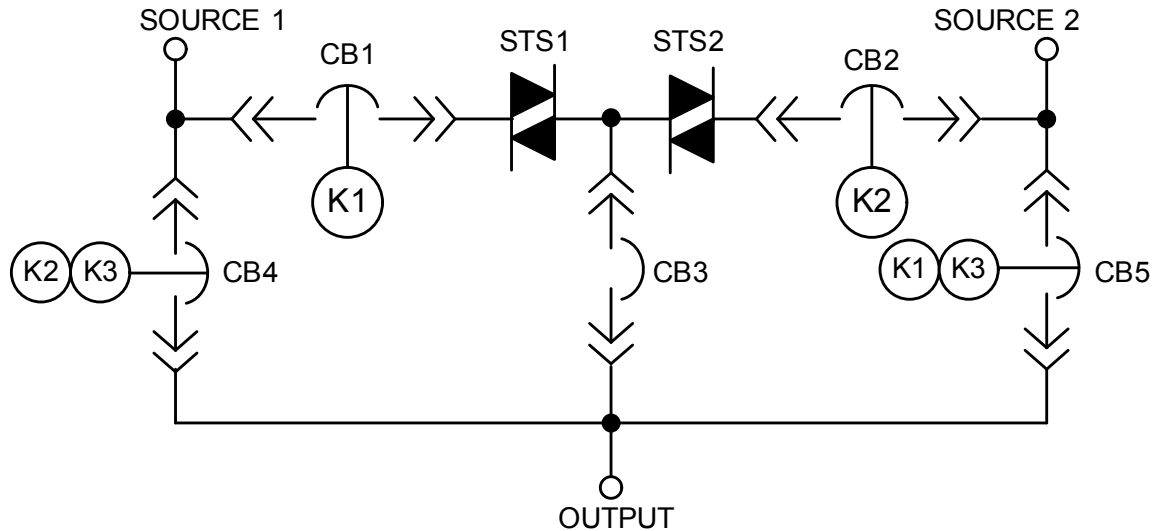
CAUTION

Risk of unit damage.

The input sources to the static switch must be grounded-wye sources. Input sources other than solidly grounded-wye sources may cause damage to the switch.

The Liebert® STS2™ is designed for operation with 3- or 4-wire, solidly grounded sources only. For 4-wire operation, the common source neutral must be connected to the Liebert® STS2™. See **Figure 2** on page 11 for a typical one-line diagram. Refer to **Figures 13 to 18** for electrical field connections on all units, with both single and dual output breakers.

Figure 2 Typical static transfer switch one-line diagram



The input and output power wire size should be based on the upstream overcurrent protection device, observing the NEC and local codes.

The molded case switches contained in the Liebert® STS2™ are typically non-automatic circuit breakers that rely on the upstream and/or load overcurrent protection. Upstream overcurrent protection should be rated equal to or less than the rating of the Liebert® STS2™ molded case switches.

The Liebert® STS2™ input and output power and ground and neutral bus bars accommodate a wide range of wire sizes. The Liebert® STS2™ busbars accommodate standard two-hole lugs.

Table 2 Input/output conduit plate specifications

Rating	Maximum Number and Size
100-250A	6 — 3" conduit
400-600A	9 — 4" conduit
800-1000A	12 — 4" conduits

5.2 System Grounding

Equipment grounding — Grounding is primarily for equipment and personnel safety, although proper grounding also enhances equipment performance.

All input and output power feeds must include an equipment grounding means as required by the NEC and local codes.

An insulated equipment ground conductor is recommended to run with each input and output power feed. The equipment ground conductors should be at least the minimum size conductor per the NEC based on the upstream overcurrent protection device.

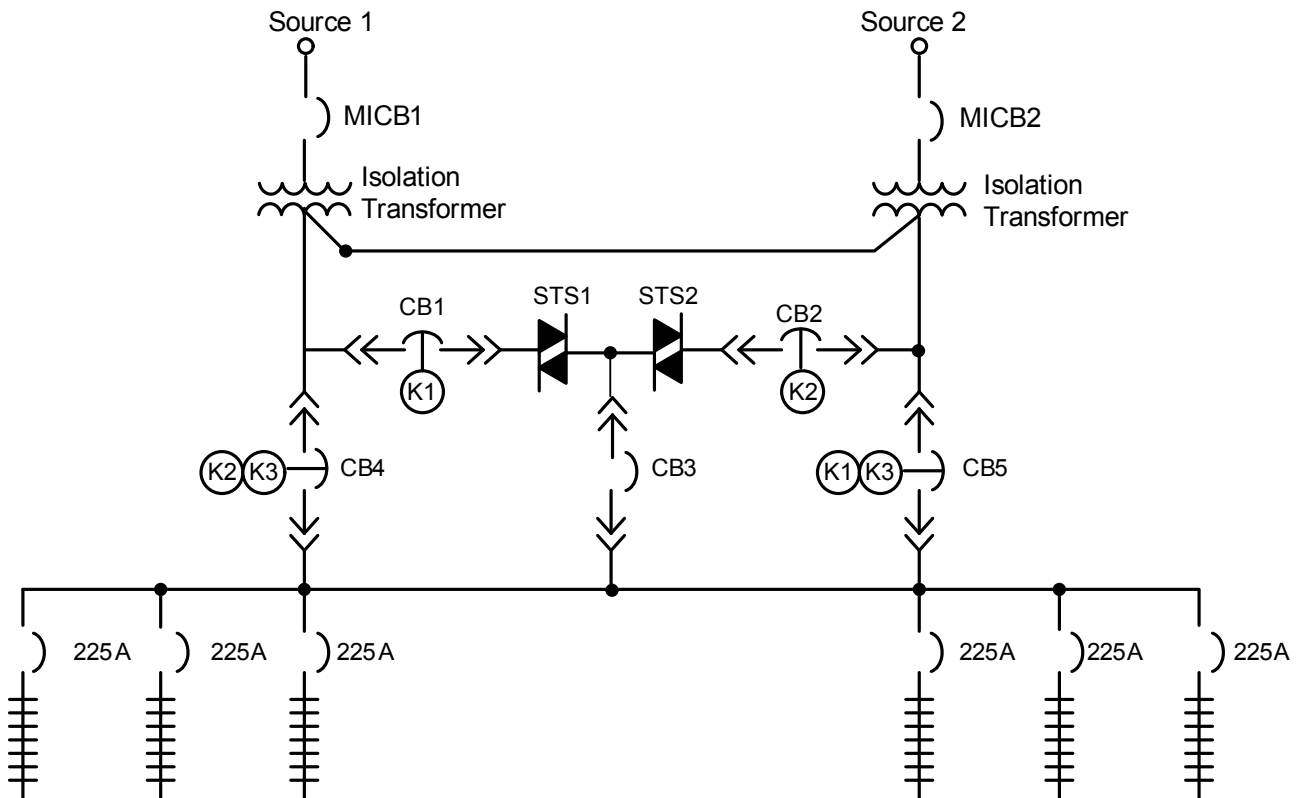
WARNING

If conduit is used as a grounding means, adequate electrical continuity must be maintained at all conduit connections. The use of isolating bushings with a metal conduit can be a safety hazard and is not recommended.

4-Wire-Plus-Ground Systems — When 4-wire-plus-ground input feeds are utilized, the input power sources must be properly grounded. Because the neutral is not switched by the Liebert® STS2™, the neutrals of the two power sources are solidly interconnected. The NEC prohibits grounding a power source at more than one point. Connecting the neutrals of two grounded power sources together effectively grounds each of the sources at more than one point, which allows neutral current to flow on the ground system, defeats ground fault protection, creates a safety hazard, and violates the NEC.

Where possible, the two power sources should be located in close proximity and a single neutral-to-ground bond made (as shown in **Figure 3** or as is typical with a double-ended substation).

Figure 3 Typical one-line diagram of two PDUs and a Liebert® STS2™



5.3 Control Wiring Connections

No control wiring is needed on the standard Liebert® STS2™. Only certain options require external control wiring. See **6.0 - OPTIONS** on page 14 for details

5.4 Power Supply

The Liebert® STS2™ is supplied with redundant power supplies that are designed to operate from a voltage range of 200V to 600V. The unit is set at the factory to match the nameplate voltage. Field adjustments are *not* necessary. If the unit needs to operate at a voltage other than what is listed on the nameplate, contact Vertiv™ or your local Vertiv™ representative. **Table 3** provides transformer tap information.

Table 3 Terminal Block 1 and Terminal Block 2 wire connections

Voltage	Connect		Connect		Jumper Between
	F1 TB1-XX	F2 TB1-YY	F3 TB2-XX	F4 TB2-YY	
200	1	9	1	9	1-7
208	1	10	1	10	1-7
220	2	12	2	12	6-8
240	1	11	1	11	1-7
380	1	8	1	8	2-7
400	1	9	1	9	3-7
415	1	10	1	10	4-7
480	1	11	1	11	5-7
600	1	12	1	12	6-7



CAUTION

Using **Table 3**, ensure that the wiring for the control transformers matches the input voltage for the unit.

Improper wiring could result in blown fuses.

6.0 OPTIONS

This section discusses the options available for the Liebert® STS2™. The communications options are also discussed in **12.0 - COMMUNICATION INTERFACES**.

6.1 Programmable Relay Board

The Programmable Relay Board (PRB) provides a means to trigger an external device when an event occurs in the Liebert® STS2™. Each PRB has eight channels. Each channel has one set of Form-C dry contacts.

Any alarm/event can be programmed to any channel or channels. Up to ten (10) events can be programmed to a relay. If multiple events are grouped to one relay, group the events logically to simplify troubleshooting when an event is triggered. The same alarm/event can be programmed to more than one channel. Up to two Programmable Relay Boards can be installed in the Liebert® STS2™ for a total of 16 channels. Programming is performed through the touchscreen display.

See **Configuring the Programmable Relay Board Settings on page 99** for default settings and instructions for reconfiguring the relays. See **Figures 19** and **20** for the location of the PRB. See **Figure 22** for wiring details.

6.2 Optimized Transfer

When the Liebert® STS2™ is used as a primary-side switch—on the primary of an isolation transformer—optimized transfer greatly reduces the transformer magnetization current during automatic transfers through a new, patented transfer control algorithm. The Liebert® algorithm optimizes the transfer timing so that the volt-seconds applied to the downstream transformer primary is balanced, minimizing peak saturation current.

The volt-second balance is achieved by directly computing the volt-second applied to the transformer during transfer events and determining the optimum time to turn on the alternate source SCRs in order to balance the volt-second within specified tolerance.

Optimized transfer also seeks to minimize the voltage disturbances while still maintaining transformer flux balance. This unique flux balance algorithm does not just wait for the balance point to occur, but will pulse fire the SCRs as soon as possible to minimize the voltage disruption. This results in far superior voltage waveforms applied to the load.

6.3 Distribution Cabinet With I-Line Panelboard—100-600A Units Only

A distribution cabinet with a Square D I-Line panelboard offers space to plug in up to 10 three-pole branch circuit breakers (100A-250A). The panelboard is rated at 600A with an overall short-circuit rating of 100,000 AIC.

The full-height cabinet mounts on either the right or left side of the Liebert® STS2™ and is fully enclosed with a keylock door and an accent cover that permits access to the panelboard without exposing other portions of the Liebert® STS2™.

6.4 Input Contact Isolator Board

The Input Contact Isolator Board (ICI) provides an Liebert® STS2™ module interface for up to eight external user alarm or message inputs to be routed through the Liebert® STS2's™ alarm network. The eight contacts are normally open dry contacts. When a contact closes, an event is triggered.

The Input Contact Isolator options are configured through the Input Contact Isolator dialog box, which is accessed from the Comm Option dialog box on the touchscreen display. You also can program the alarm messages through this dialog box. See **Configuring the Input Contact Isolator Settings on page 98** for instructions on configuring the connections.

See **Figures 19** and **20** for the location of the ICI. See **Figure 23** for wiring details.

6.5 Comms Board

The Comms Board provides a communication interface to Liebert® SiteScan®, a site monitoring product. Liebert® SiteLink™-12 or Liebert® SiteLink™-4 is required for Liebert® SiteScan® to communicate with the Liebert® STS2™.

The Comms Board is equipped with an RS-422 communication port for communication to a Liebert® SiteScan® monitoring system using a two-wire twisted pair for reliable communication up to 1000 meters (3281 ft.). Information available from the RS-422 port includes the present switch status information, all monitoring parameters, and all active alarms.

Programming the Comms Board is performed through the touchscreen display. See **Comm Options on page 97** for details.

See **Figures 19** and **20** for the location of the Comms Board.

See **Figure 24** for information on the control wiring.

6.6 Liebert® IntelliSlot™ Unity-DP™ Card

A Liebert® IntelliSlot™ Unity-DP™ card enables external communications with the Liebert® STS2™. The Liebert® IntelliSlot™ Unity-DP™ Card enables SNMP, BACnet IP, BACnet MSTP, Modbus TCP, Modbus RTU, YDN23 and Web management capability to the Liebert® STS2™. The card employs Ethernet and RS-485 networks to monitor and manage a wide range of operating parameters, alarms and notifications. The Liebert® IntelliSlot™ Unity-DP™ supports two of the third-party protocols.

See **Figures 19** and **20** for the location of the Liebert® IntelliSlot™ Unity-DP™ Card. See **Figure 25** control wiring information.

If you have questions about the Liebert® IntelliSlot™ Unity-DP™ Card card, refer to the user guide, SL-52645, available at the Liebert® Web site, www.vertivco.com

6.7 LED Display

A light-emitting diode display is available to replace the standard liquid crystal display touchscreen control. The display provides monitoring and control through a series of LED's and buttons. LED's alert you when a problem occurs. A PC running terminal emulation software connected to the RS-232 port is needed to access the data and configuration settings.

6.8 Remote Source Selection Wiring

An optional Remote Source Selection board may be installed in your Liebert® STS2™. This board is installed in the same bay as the communications options. See **Figures 19** and **20** for the location of these options. See **Figure 21** for information on the control wiring for the Remote Source Selection option.

The Remote Source Selection allows you to choose the preferred input source from a remote location. Terminal connections allow the customer to remotely select a source to be the preferred source in the same process as the local source transfer selection.

The unit's preferred source selection and Remote Source Selection are active at the same time, with the Liebert® STS2™ following the last request for a preferred source change, regardless of whether it was from the local or Remote Source Selection controls.

A six pin terminal block provides the Remote Source Selection connections. Two pairs of wires are used from the switch to trigger the source selection. You can select the type of switch used for this remote control. Connections are made to four of the connections, using Form A dry contacts. The contacts are numbered left to right:

Table 4 Remote source selection terminal block

Contact	Connection
1	Source 1
2	Isolated ground
3	Source 2
4	Isolated Ground
5	DO NOT USE
6	DO NOT USE

See **10.3 - Enabling Remote Source Selection** for instructions on enabling the Remote Source Selection option.

6.9 Key Lockout Switch

The key lockout switch activates a software lockout of the touchscreen display to prevent manual transfers and configuration changes. When locked out, the touchscreen becomes a read only display. A key is needed to do manual transfers or change settings.

The alarm silence button is not disabled when in the lockout position.

The switch is located behind the front door but can be operated without opening the front door. See **Figures 7 to 9** for the key lockout location on each unit.

See section **13.2.1 - Security** for key lockout switch operation with the LCD touchscreen. See **14.1.4 - Key Lockout Switch** for key lockout switch operation with the LED display.

6.10 Redundant Output Breaker

An output plug-in, non-automatic circuit breaker is provided which allows redundancy in the output power path. The breaker is connected in parallel with the output plug-in non-automatic circuit breaker.

6.11 Transfer Inhibit

Transfer Inhibit prevents the Liebert® STS2™ from transferring under certain conditions. When a customer-supplied closed dry contact is provided, the Liebert® STS2™ will not transfer and remain on its present source even if the source is no longer supplying power.

This option requires an Input Contact Isolator board (see **6.4 - Input Contact Isolator Board**).

6.12 Input Junction Box Installation—Optional

The input junction box option is available to simplify input connections to the Liebert® STS2™. Two input junction boxes and the associated flexible 10 foot long (3 meter) input cables are provided with this option.

This option is available only with bottom cable entrance, typically when the unit is located on a raised floor.

If the input junction boxes will be used, they may be shipped either with the unit or in advance to be installed during the rough-in stage of construction.

Locate the junction boxes a maximum of 8 feet (2.4 meters) from the planned location of the Liebert® STS2™.

Due to a lack of clearance for the cables below the unit, the cables are also shipped loose from the unit for installation at the site. The input cables connect from the input junction boxes to the input power bus bars inside the Liebert® STS2™.

The standard configuration for the input junction boxes and cables is for 3-wire-plus-ground feeds. If the input neutral is required, special 4-wire-plus-ground input cables and junction boxes are required. See **Figure 27** for wiring details.

6.13 Seismic Floor Anchors

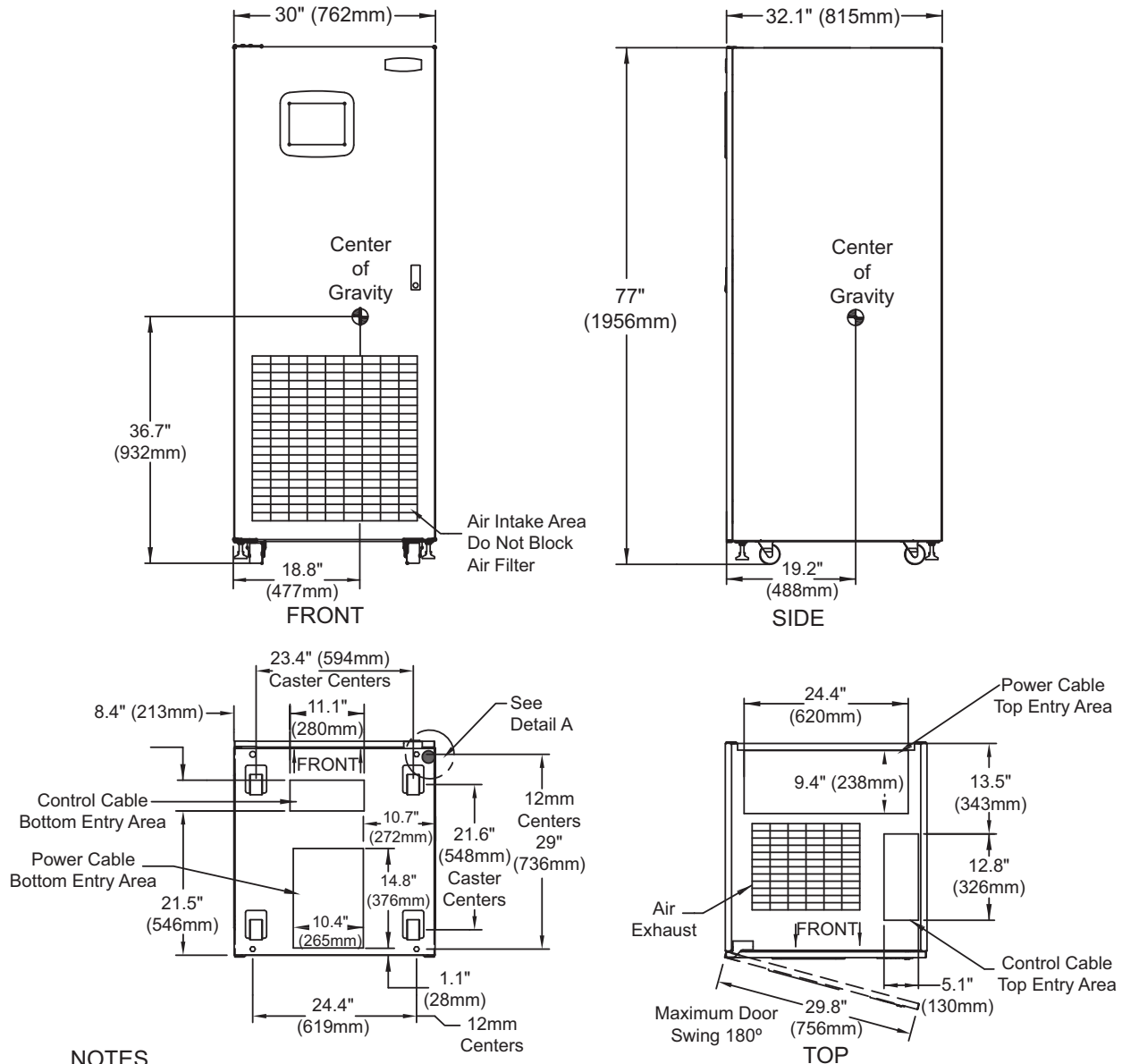
Seismic anchors are available for anchoring the unit to a concrete floor to meet seismic Zone 4 requirements. See **4.1 - Leveling and Anchoring the Unit to the Floor** on page 9 for more information. Installation details are provided in **Figures 10** through **Figure 12**.

6.14 Seismic Floor Stand

Seismic floor stands in four heights—18", 24", 30" and 36" (457mm, 610mm, 762mm and 914mm)—are available for the Liebert® STS2™. The stands can be fastened to the floor to meet seismic Zone 4 requirements. See **4.0 - LOCATING THE LIEBERT® STS2™** and **Figures 29** through **40** for instructions and details for installing seismic floor stands.

7.0 INSTALLATION DRAWINGS

Figure 4 Outline drawing: 100 – 250 amp Liebert® STS2™



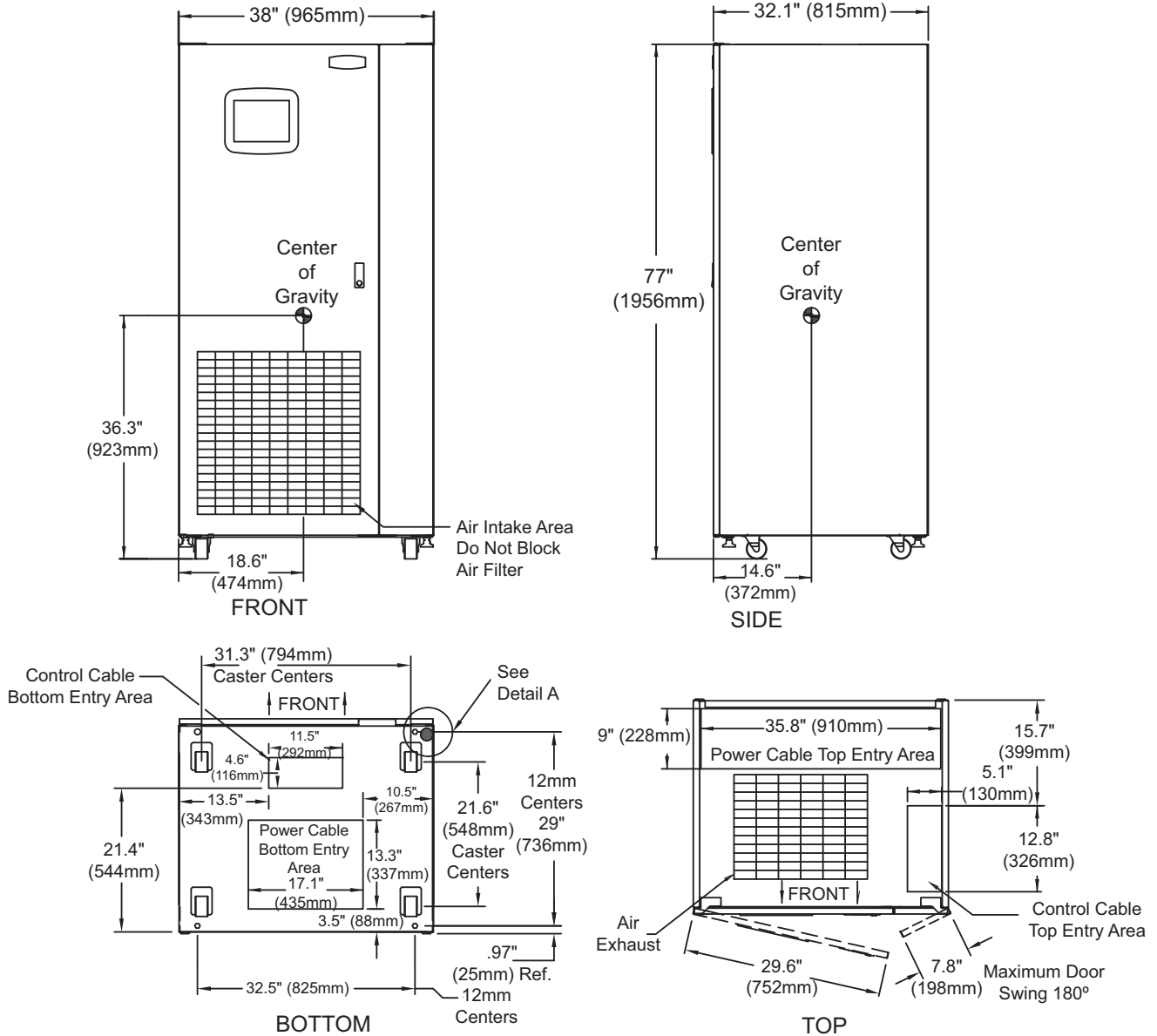
NOTES

1. 18" (457mm) clearance above unit is required for air exhaust.
2. Clearance of 36" (914mm) is required in the front only for installation and service access.
3. Heat output: 2710 BTU/Hr (0.80kW) maximum for 100A switch.
4680 BTU/Hr (1.37kW) maximum for 250A switch.
4. Weight: 780 lb. (354kg)
5. Unit bottom is structurally adequate for forklift handling.
6. Keep cabinet within 15 degrees of vertical.
7. Color: Black gray matte
9. Open door to replace air filter, disposable type 1"x25"x25"
(25.4 x 635 x 635mm).
10. Threaded mounting holes (see Detail A) are provided for seismic anchoring or floor stand. Mounting bolts must be threaded into the unit from underneath the unit base. If a floor stand is used, the casters must rest on the floor stand to support the unit's weight.

DETAIL A
Front of Unit Shown
Without Side Panel

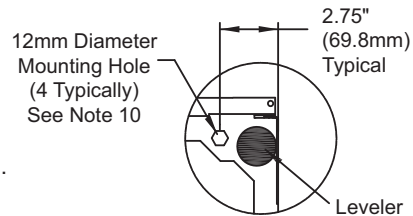
PS211100
Rev. 6

Figure 5 Outline drawing: 400 – 600 amp Liebert® STS2™



NOTES

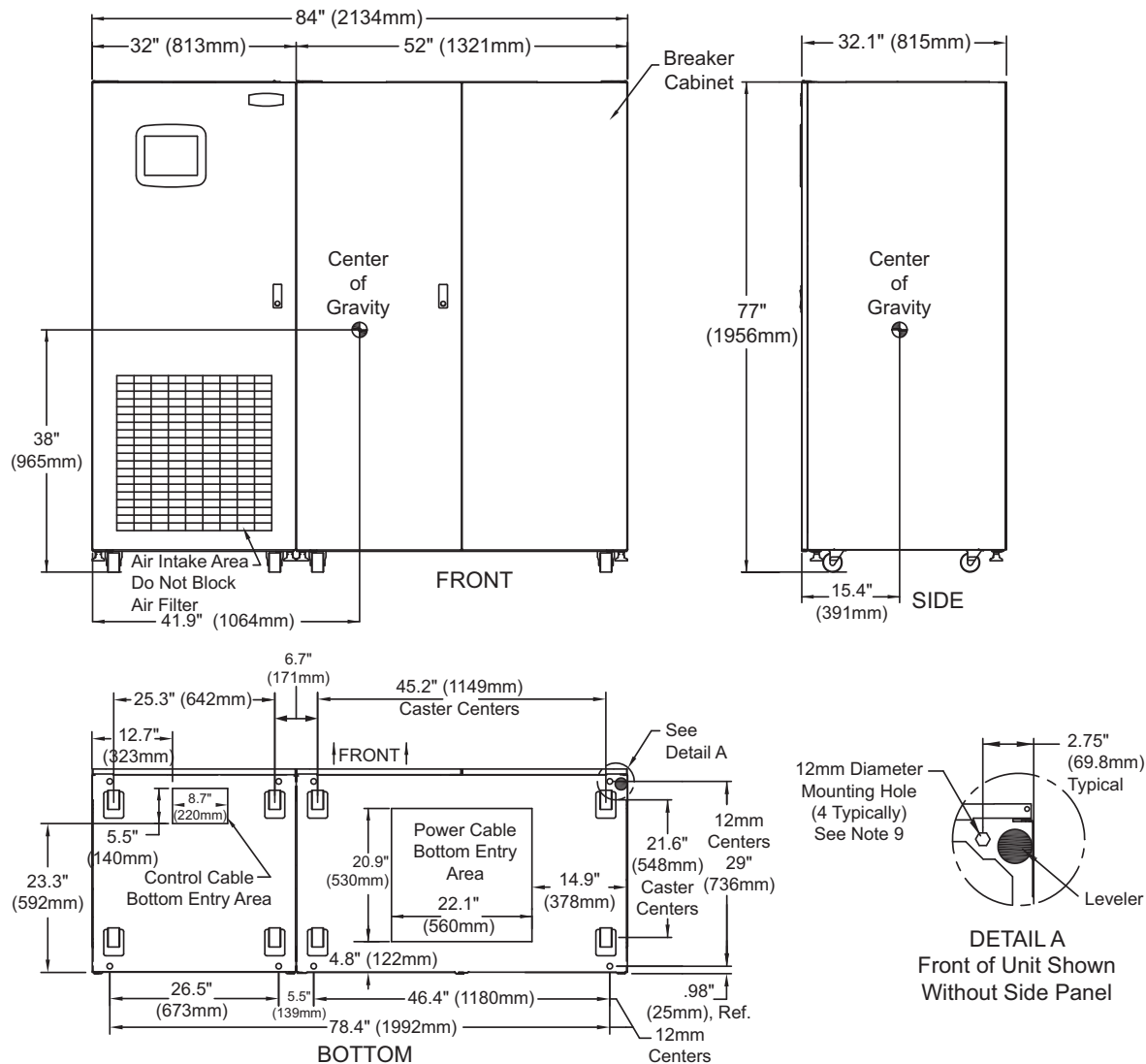
1. 18" (457mm) clearance above unit is required for air exhaust.
2. Clearance of 36" (914mm) is required in the front only for installation and service access.
3. Heat output: 6970 BTU/Hr (2.04kW) maximum for 400A switch.
10,520 BTU/Hr (3.08kW) maximum for 600A switch.
4. Weight: 1200 lb. (544kg)
5. Unit bottom is structurally adequate for forklift handling.
6. Keep cabinet within 15 degrees of vertical.
7. Color: Black gray matte
9. Open door to replace air filter, disposable type 1"x25"x25" (25.4 x 635 x 635mm).
10. Threaded mounting holes (see Detail A) are provided for seismic anchoring or floor stand. Mounting bolts must be threaded into the unit from underneath the unit base. If a floor stand is used, the casters must rest on the floor stand to support the unit's weight.



DETAIL A
 Front of Unit Shown Without Side Panel

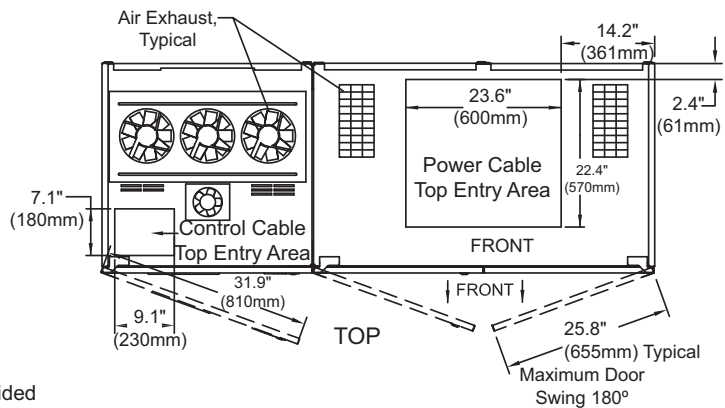
PS211400
 Rev. 4

Figure 6 Outline drawing: 800 – 1000 amp Liebert® STS2™



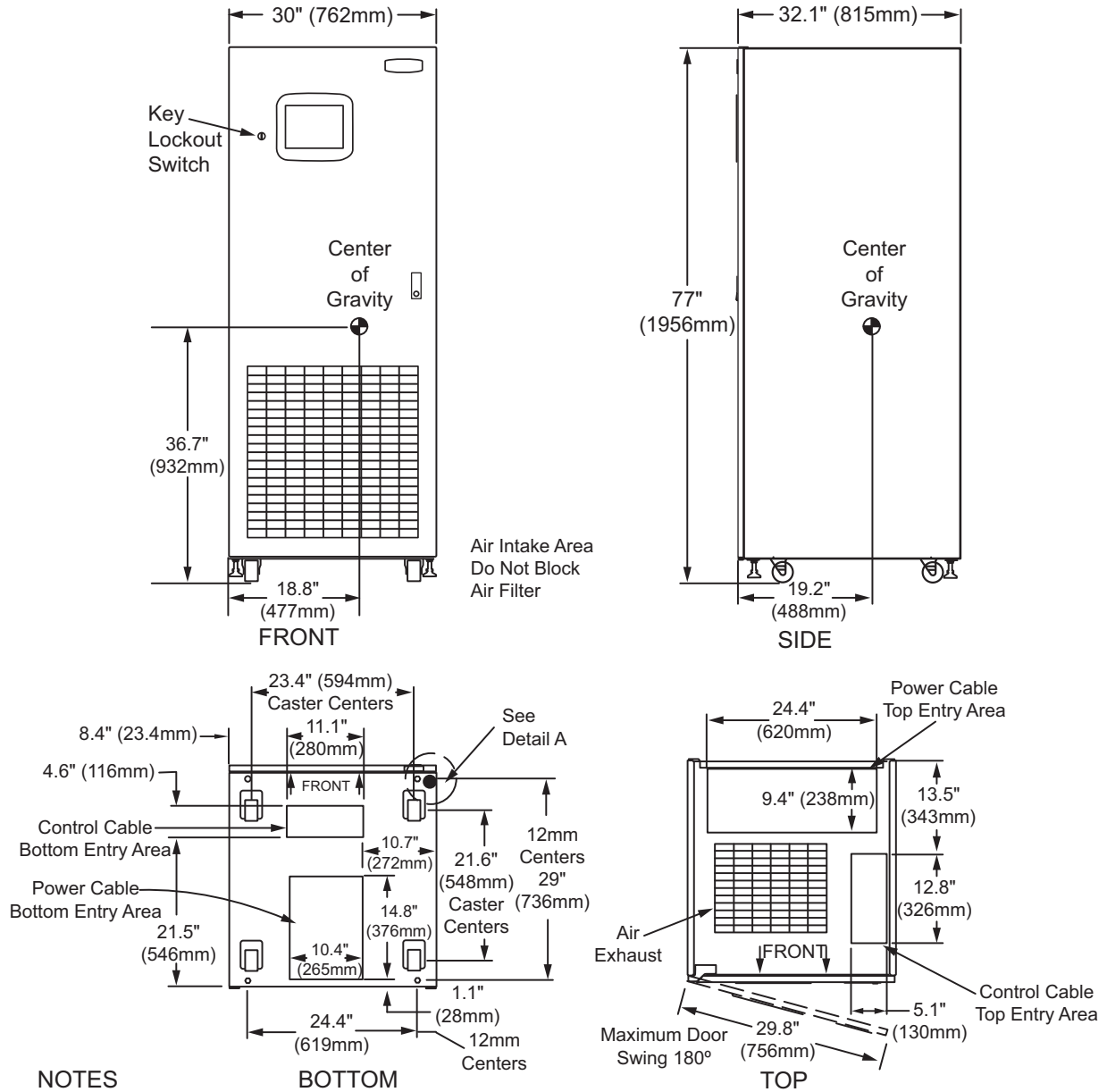
NOTES

1. 18" (457mm) clearance above unit is required for air exhaust.
2. Clearance of 36" (914mm) is required in the front only for installation and service access.
3. Heat output: 13,780 BTU/Hr (4.03kW) maximum for 800A switch.
17,390 BTU/Hr (5.09kW) maximum for 1000A switch.
4. Weight: 2500 lb. (1134kg)
5. Unit bottom is structurally adequate for forklift handling.
6. Keep cabinet within 15 degrees of vertical.
7. Color: Black gray matte
8. Open door to replace air filter, disposable type 1"x25"x25" (25.4 x 635 x 635mm).
9. Threaded mounting holes (see Detail A) are provided for seismic anchoring or floor stand. Mounting bolts must be threaded into the unit from underneath the unit base. If a floor stand is used, the casters must rest on the floor stand to support the unit's weight.
10. 500 CFM (236 L/S) per exhaust fan.



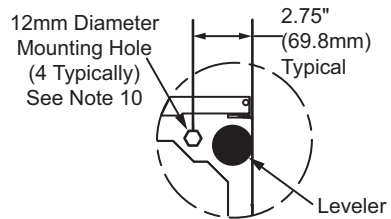
PS211800
Rev. 4

Figure 7 Outline drawing: 100 – 250amp Liebert® STS2™ with a key lockout switch option



NOTES

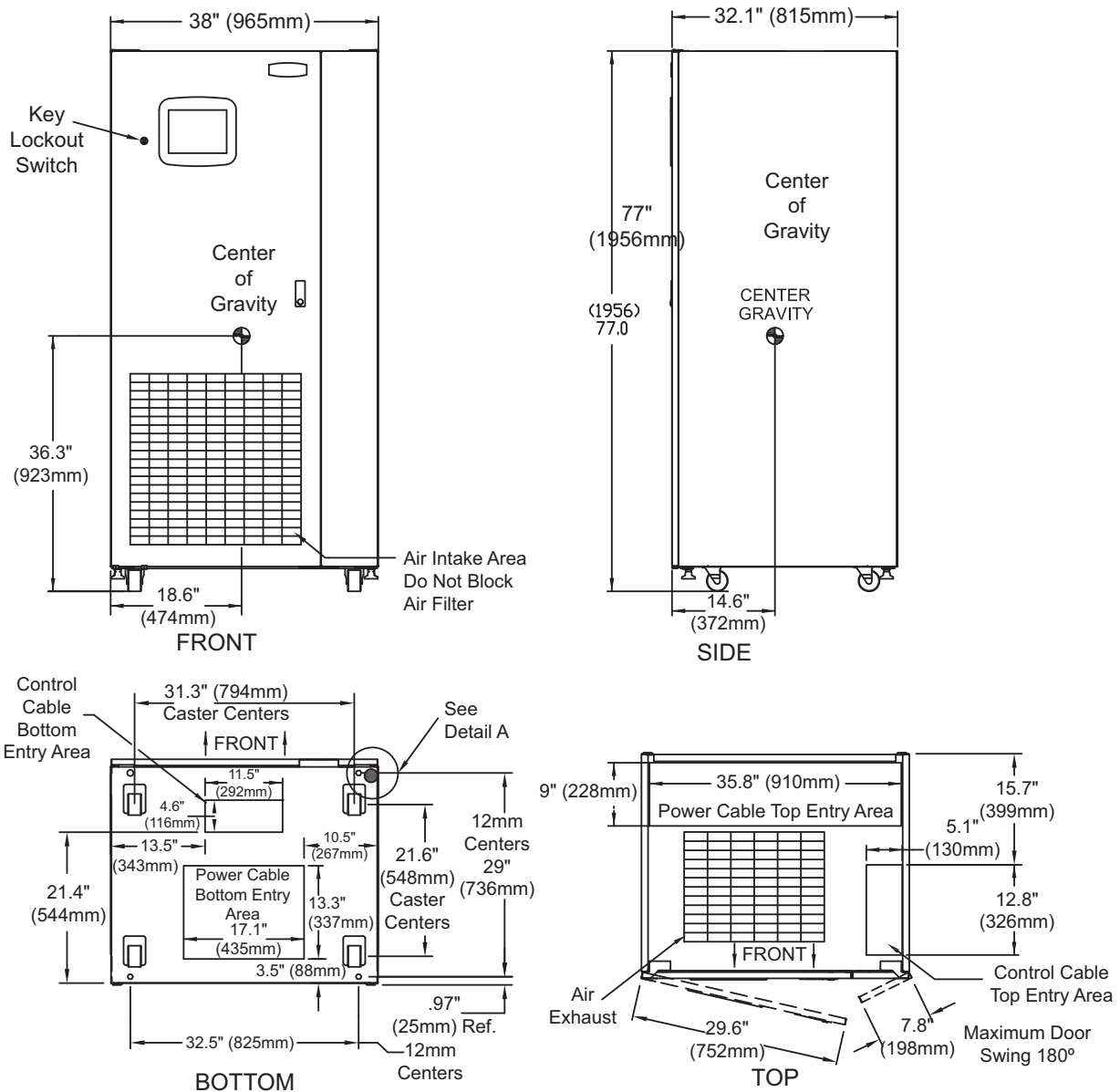
1. 18" (457mm) clearance above unit is required for air exhaust.
2. Clearance of 36" (914mm) is required in the front only for installation and service access.
3. Heat output: 2710 BTU/Hr (0.80kW) maximum for 100A switch.
4680 BTU/Hr (1.37kW) maximum for 250A switch.
4. Weight: 780 lb. (354kg)
5. Unit bottom is structurally adequate for forklift handling.
6. Keep cabinet within 15 degrees of vertical.
7. Color: Black gray matte
9. Open door to replace air filter, disposable type 1"x25"x25"
(25.4 x 635 x 635mm).
10. Threaded mounting holes (see Detail A) are provided for seismic anchoring or floor stand. Mounting bolts must be threaded into the unit from underneath the unit base. If a floor stand is used, the casters must rest on the floor stand to support the unit's weight.



DETAIL A
 Front of Unit Shown Without Side Panel

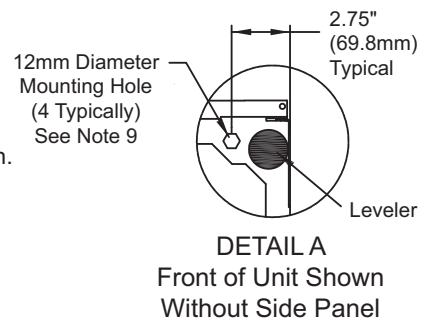
PS211101
 Rev. 5

Figure 8 Outline drawing: 400 – 600 amp Liebert® STS2™ with a key lockout switch option



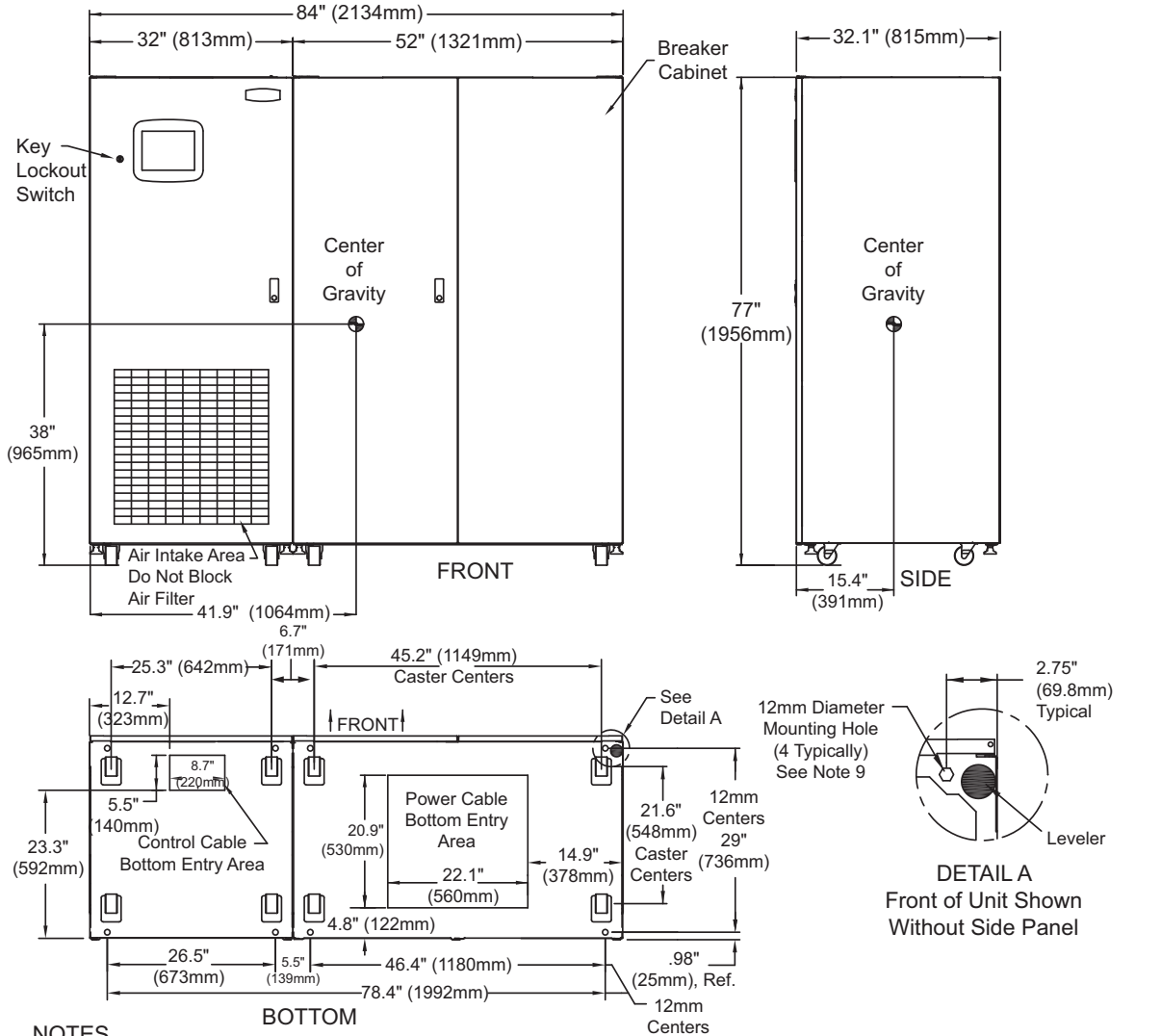
NOTES

1. 18" (457mm) clearance above unit is required for air exhaust.
2. Clearance of 36" (914mm) is required in the front only for installation and service access.
3. Heat output: 6970 BTU/Hr (2.04kW) maximum for 400A switch.
10,520 BTU/Hr (3.087kW) maximum for 600A switch.
4. Weight: 1200 lb. (544kg)
5. Unit bottom is structurally adequate for forklift handling.
6. Keep cabinet within 15 degrees of vertical.
7. Color: Black gray matte
9. Open door to replace air filter, disposable type 1"x25"x25" (25.4 x 635 x 635mm).
10. Threaded mounting holes (see Detail A) are provided for seismic anchoring or floor stand. Mounting bolts must be threaded into the unit mounting holes from underneath the unit base. If a floor stand is used, the casters must rest on the floor stand to support the unit's weight.



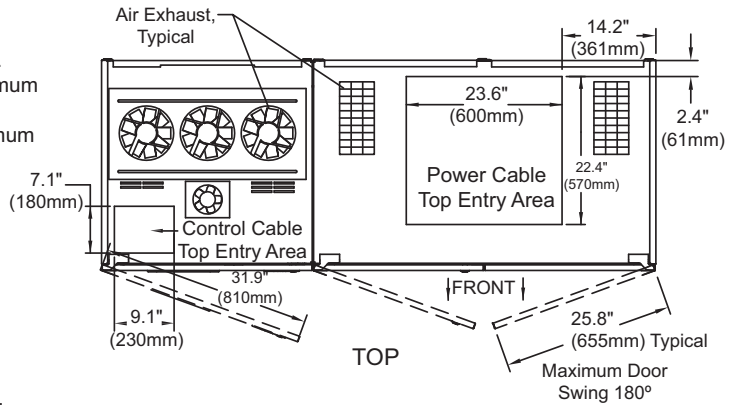
PS211401
Rev. 4

Figure 9 Outline drawing: 800 – 1000 amp Liebert® STS2™ with the key lockout switch option



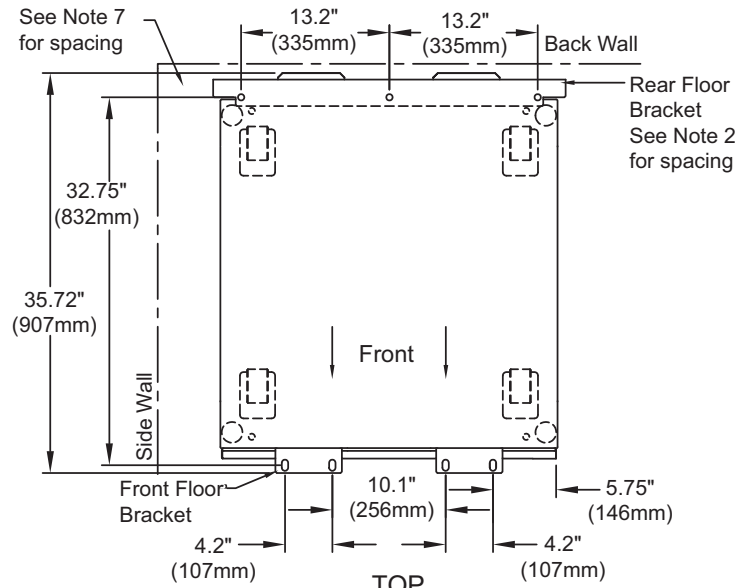
NOTES

1. 18" (457mm) clearance above unit is required for air exhaust.
2. Clearance of 36" (914mm) is required in the front only for installation and service access.
3. Heat output: 13,780 BTU/Hr (4.03kW) maximum for 800A switch.
17,390 BTU/Hr (5.09kW) maximum for 1000A switch.
4. Weight: 2500 lb. (1134kg)
5. Unit bottom is structurally adequate for forklift handling.
6. Keep cabinet within 15 degrees of vertical.
7. Color: Black gray matte
8. Open door to replace air filter, disposable type 1"x25"x25" (25.4 x 635 x 635mm).
9. Threaded mounting holes (see Detail A) are provided for seismic anchoring or floor stand. Mounting bolts must be threaded into the unit from underneath the unit base. If a floor stand is used, the casters must rest on the floor stand to support the unit's weight.
10. 500 CFM (236 L/S) per exhaust fan.



PS211801
Rev. 4

Figure 10 Seismic anchor drawing: 100 – 250 amp Liebert® STS2™



System Seismic Anchoring, Figure 1

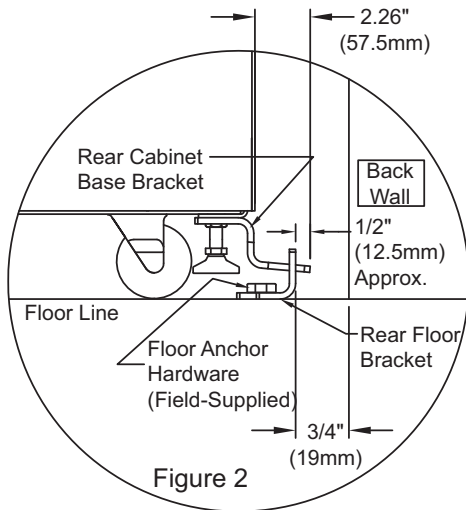


Figure 2

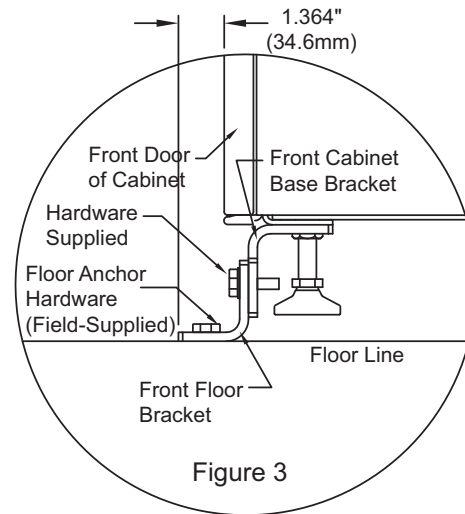


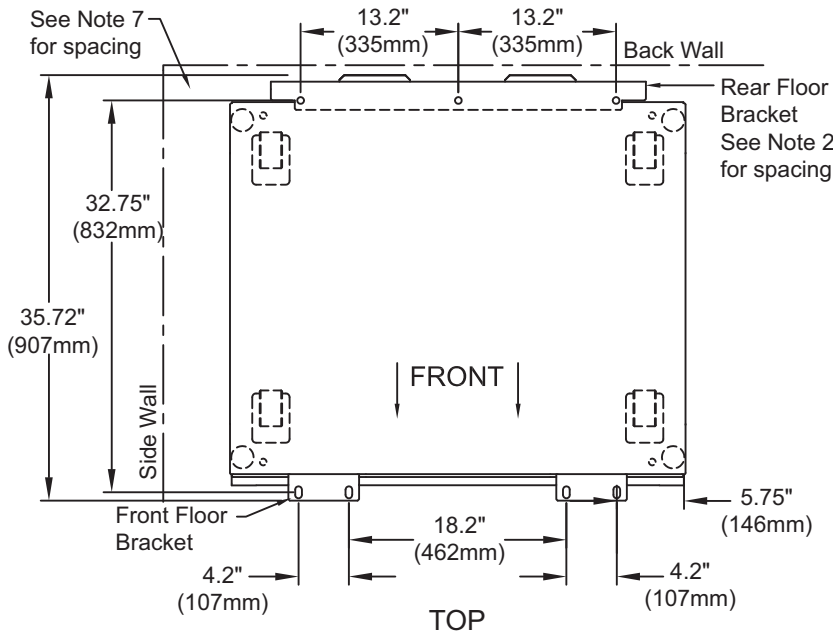
Figure 3

NOTES

1. Recommended floor anchor: 1/2" ITW Ramset/Red Head self-drilling anchor; ICBO #ER-1372 or equivalent (not supplied). Follow manufacturer's instructions.
2. Position rear floor brackets on floor at least 0.75" (19mm) from back wall. Mark location and drill holes (Figure 1) to a minimum depth of 4.12" (104.7mm) into the concrete.
3. Install rear cabinet base bracket (Figure 2) to existing holes on the underside of the unit with tabs facing the back wall. Use supplied hardware and torque to 365 lb./in. (41.2Nm). Loosen leveling bolt locking nut and tighten after the bracket is secured.
4. Install the front cabinet base (Figure 3) to existing holes on the underside of the unit with the bent flange facing front. Use the supplied hardware and torque to 365 lb./in. (41.2Nm). Loosen leveling bolt locking nut and tighten after the bracket is secured.
5. Move the cabinet into position with the rear tabs into the slots of the floor bracket. The tabs must extend at least 1/2" (12.7mm) through the floor bracket (Figure 2). Then attach the front floor brackets to the front cabinet base bracket, but do not fully tighten the hardware.
6. Mark the hole locations and remove the brackets. Drill and install the floor brackets. The unit door can be removed for better access. Reinstall the front floor brackets to the front cabinet brackets with the supplied hardware and torque to 235 lb./in. 26.5Nm, see Figure 3.
7. If side walls are present, minimum distance from either side wall is required.
8. Rear and front floor brackets and the rear and front cabinet base brackets are 1010 steel and approximately 1/4" (6.4mm) thick.

PS211105
Rev. 1

Figure 11 Seismic anchor drawing: 400 – 600 amp Liebert® STS2™



System Seismic Anchoring, Figure 1

NOTES

1. Recommended floor anchor: 1/2" ITW Ramset/Red Head self-drilling anchor; ICBO #ER-1372 or equivalent (not supplied). Follow manufacturer's instructions.
2. Position rear floor brackets on floor at least 0.75" (19mm) from back wall. Mark location and drill holes (Figure 1) to a minimum depth of 4.12" (104.7mm) into the concrete.
3. Install rear cabinet base bracket (Figure 2) to existing holes on the underside of the unit with tabs facing the back wall. Use supplied hardware and torque to 365 lb./in. (41.2Nm). Loosen leveling bolt locking nut and tighten after the bracket is secured.
4. Install the front cabinet base to existing holes on the underside of the unit with the bent flange facing front. Use the supplied hardware and torque to 365 lb./in. (41.2Nm). Loosen leveling bolt locking nut and tighten after the bracket is secured.
5. Move the cabinet into position with the rear tabs into the slots of the floor bracket. The tabs must extend at least 1/2" (12.7mm) through the floor bracket (Figure 2). Then attach the front floor brackets to the front cabinet base bracket, but do not fully tighten the hardware.
6. Mark the hole locations and remove the brackets. Drill and install the floor brackets. The unit's door can be removed for better access. Reinstall the front floor brackets to the front cabinet brackets with the supplied hardware and torque to 235 lb./in. 26.5Nm); see Figure 3.
7. If side walls are present, 5" (127mm) minimum distance from either side wall is required.
8. Rear and front floor brackets and the rear and front cabinet base brackets are 1010 steel and approximately 1/4" (6.4mm) thick.

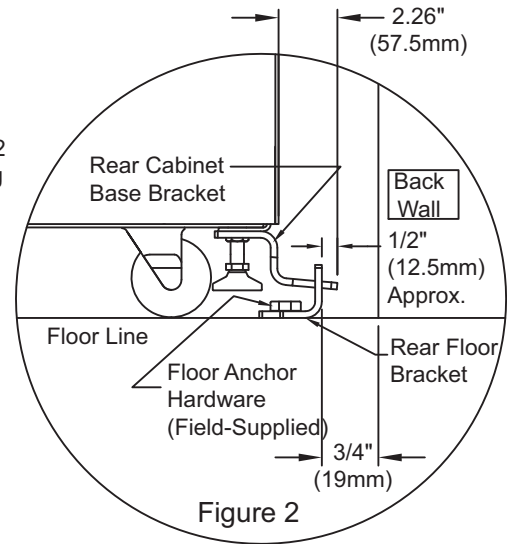


Figure 2

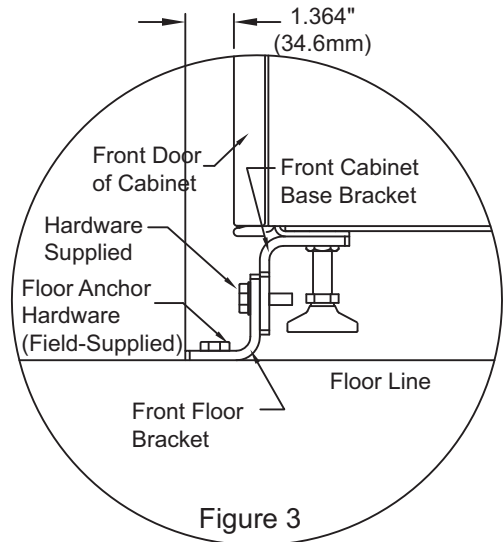
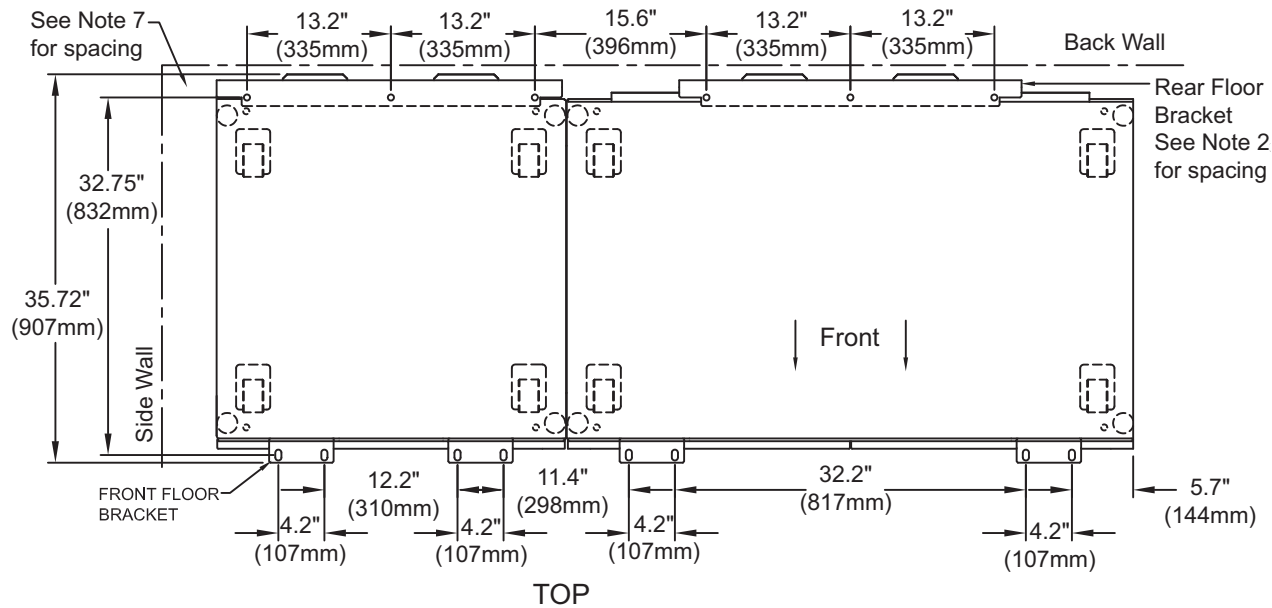


Figure 3

PS211405
Rev. 1

Figure 12 Seismic anchor drawing: 800 – 1000 amp Liebert® STS2™



System Seismic Anchoring, Figure 1

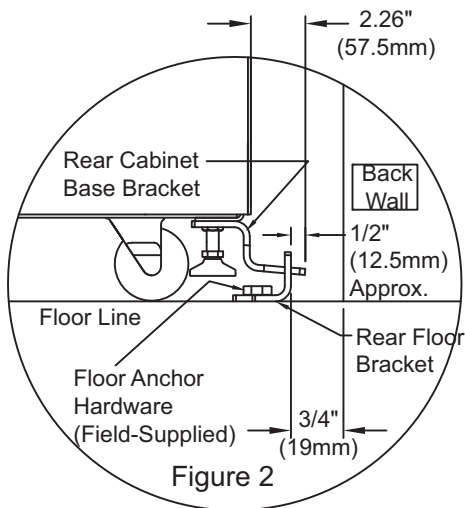


Figure 2

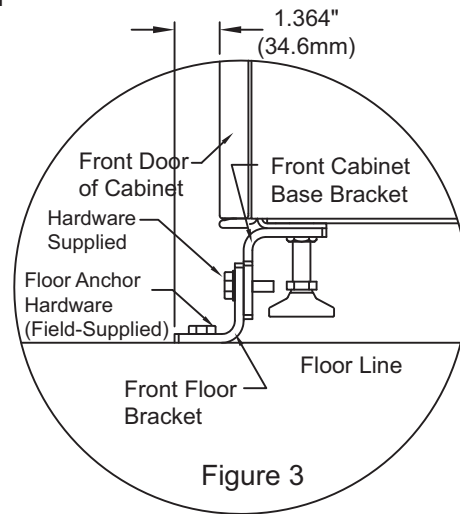


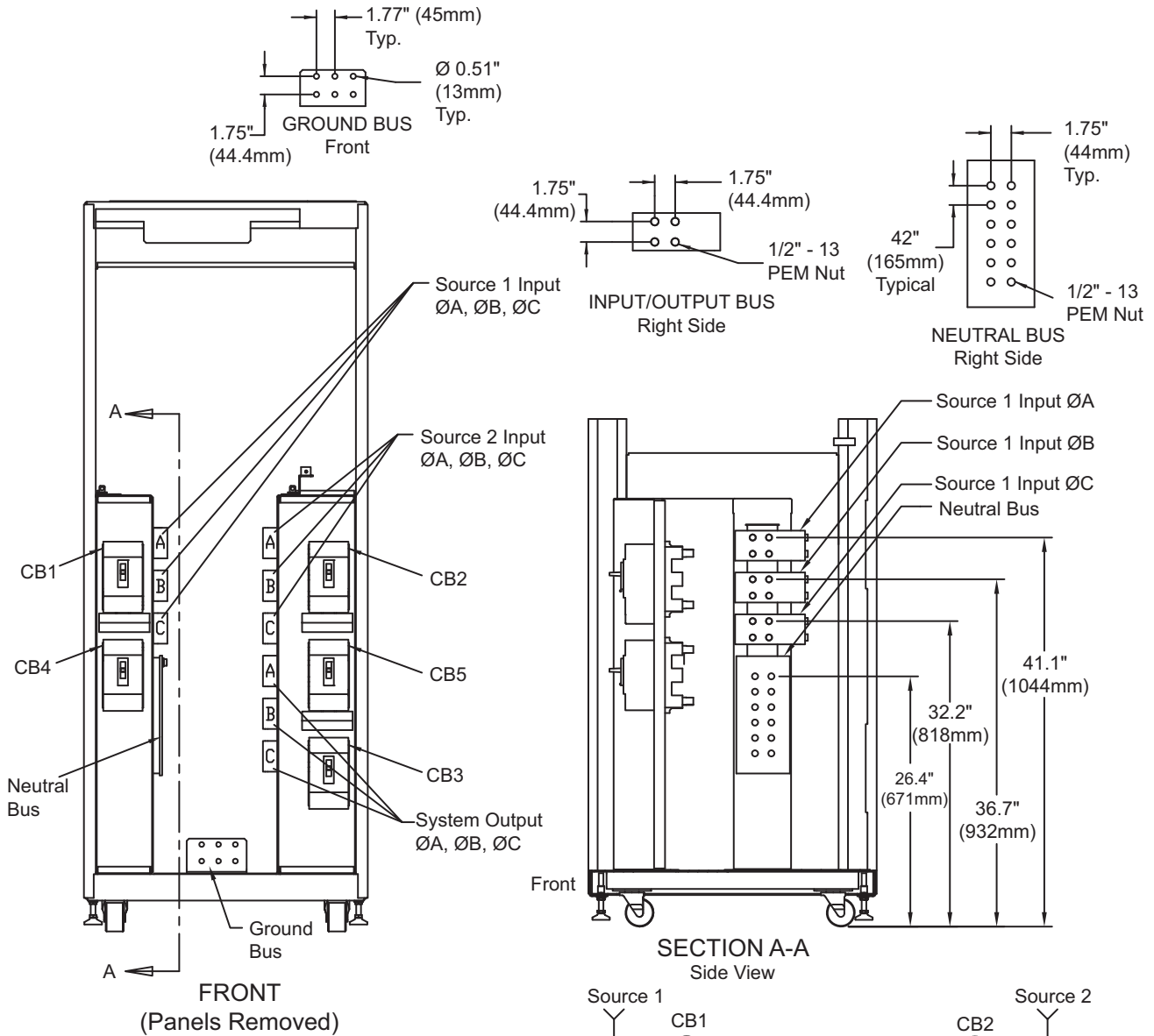
Figure 3

NOTES

1. Recommended floor anchor: 1/2" ITW Ramset/Red Head self-drilling anchor; ICBO #ER-1372 or equivalent (not supplied). Follow manufacturer's instructions.
2. Position rear floor brackets on floor at least 0.75" (19mm) from back wall. Mark location and drill holes (Figure 1) to a minimum depth of 4.12" (104.7mm) into the concrete.
3. Install rear cabinet base bracket (Figure 2) to existing holes on the underside of the unit with tabs facing the back wall. Use supplied hardware and torque to 365 lb./in. (41.2Nm). Loosen leveling bolt locking nut and tighten after the bracket is secured.
4. Install the front cabinet base (Figure 3) to existing holes on the underside of the unit with the bent flange facing front. Use the supplied hardware and torque to 365 lb./in. (41.2Nm). Loosen leveling bolt locking nut and tighten after the bracket is secured.
5. Move the cabinet into position with the rear tabs into the slots of the floor bracket. The tabs must extend at least 1/2" (12.7mm) through the floor bracket (Figure 2). Then attach the front floor brackets to the front cabinet base bracket, but do not fully tighten the hardware.
6. Mark the hole locations and remove the brackets. Drill and install the floor brackets. The unit door can be removed for better access. Reinstall the front floor brackets to the front cabinet brackets with the supplied hardware and torque to 235 lb./in. 26.5Nm, see Figure 3.
7. If side walls are present, minimum distance from either side wall is required.
8. Rear and front floor brackets and the rear and front cabinet base brackets are 1010 steel and approximately 1/4" (6.4mm) thick.

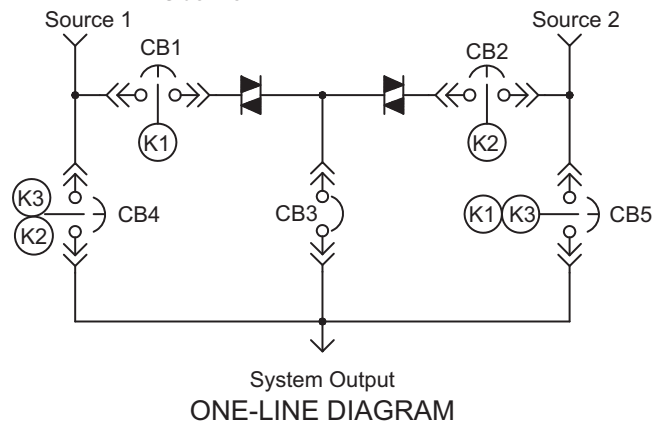
PS211805
Rev. 1

Figure 13 Electrical field connections drawing: 100 – 250 amp Liebert® STS2™ with single output breaker



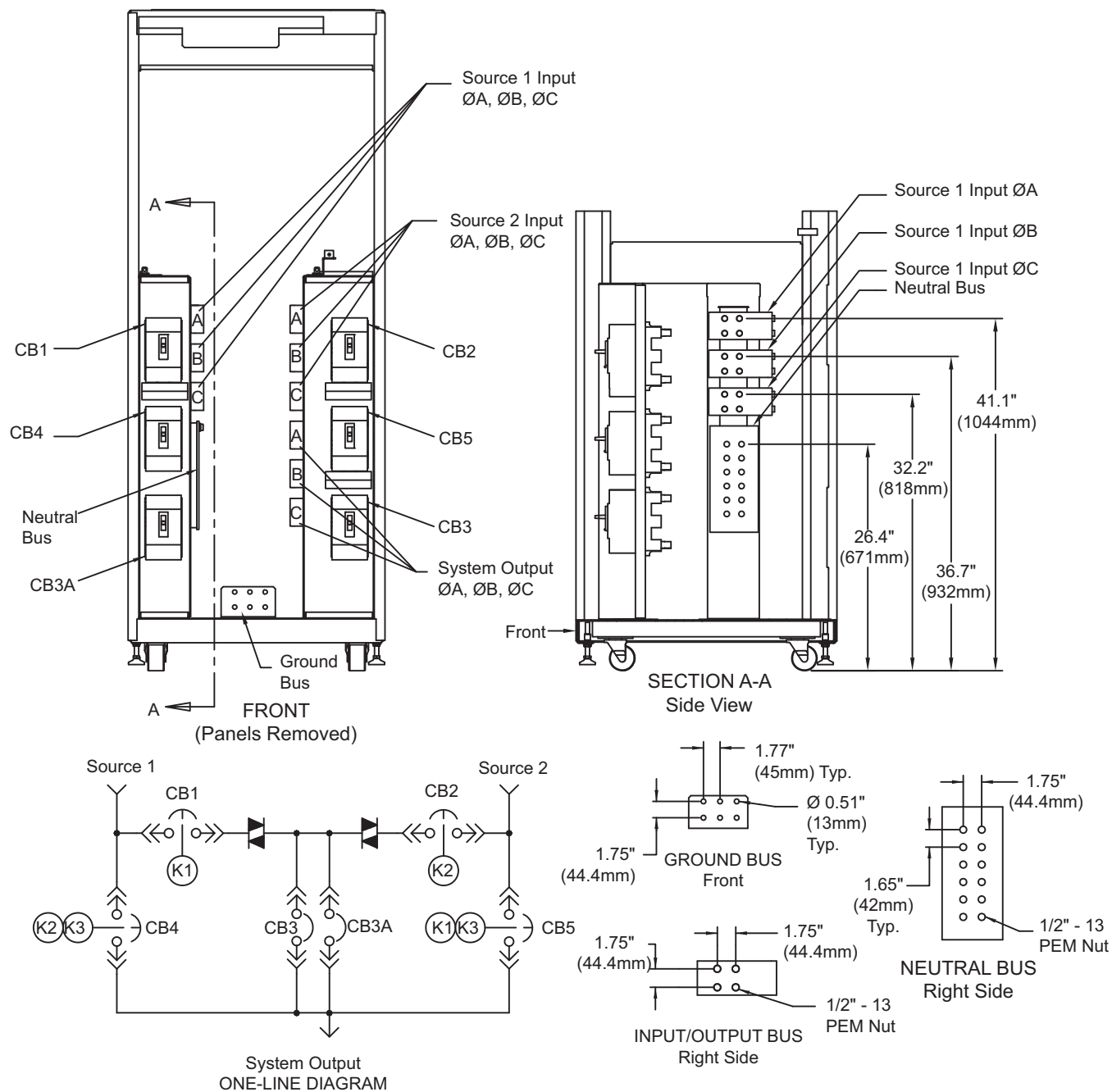
NOTES

1. Top and bottom cable entry available through removable access plates. Remove, punch to suit conduit size and replace.
2. Control wiring and power wiring must be run in separate conduit. Output cables should be run in a separate conduit from input cables.
3. Aluminum and copper-clad aluminum cables are not recommended.
4. All wiring must be in accordance with national and local electrical codes.
5. Hardware kit is supplied for input, output, neutral and ground cable connections. Kit includes 1/2" bolts, washers and nuts for connecting cables to the busbars.
6. The torque requirement for 1/2" - 13 PEM nuts is 428 in./lb (48Nm).



PS212100
Rev. 4

Figure 14 Electrical field connections drawing: 100 – 250 amp Liebert® STS2™ with dual output breakers



NOTES

1. Top and bottom cable entry available through removable access plates. Remove, punch to suit conduit size and replace.
2. Control wiring and power wiring must be run in separate conduit. Output cables should be run in a separate conduit from input cables.
3. Aluminum and copper-clad cables are not recommended.
4. All wiring must be in accordance with national and local electrical codes.
5. Hardware kit is supplied for input, output, neutral and ground cable connections. Kit includes 1/2" bolts, washers and nuts for connecting cables to the busbars.
6. The torque requirement for 1/2" - 13 PEM nuts is 428 in./lb (48Nm).

PS212101
Rev. 5

Figure 15 Electrical field connections drawing: 400 – 600 amp Liebert® STS2™ with single output breaker

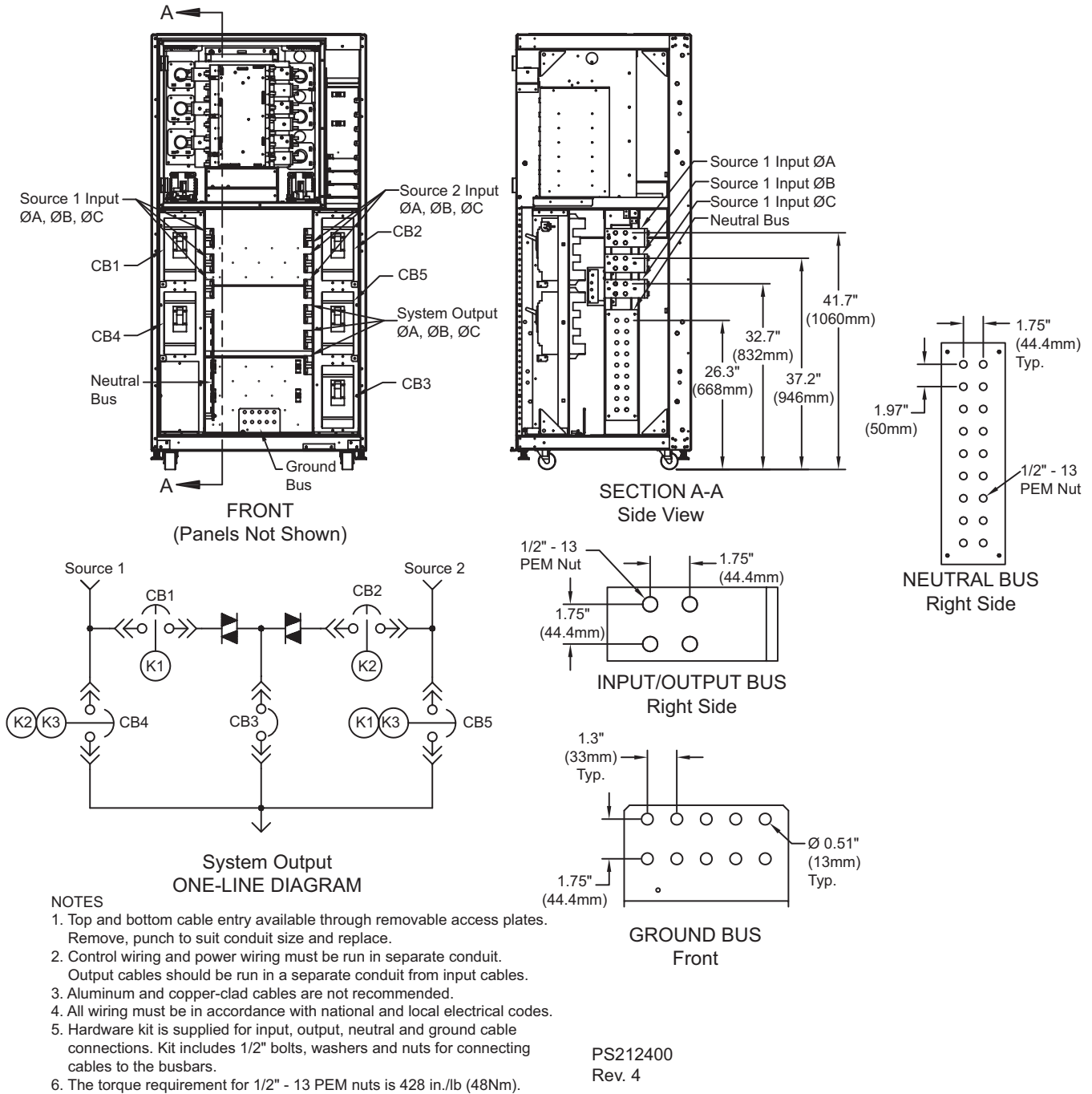
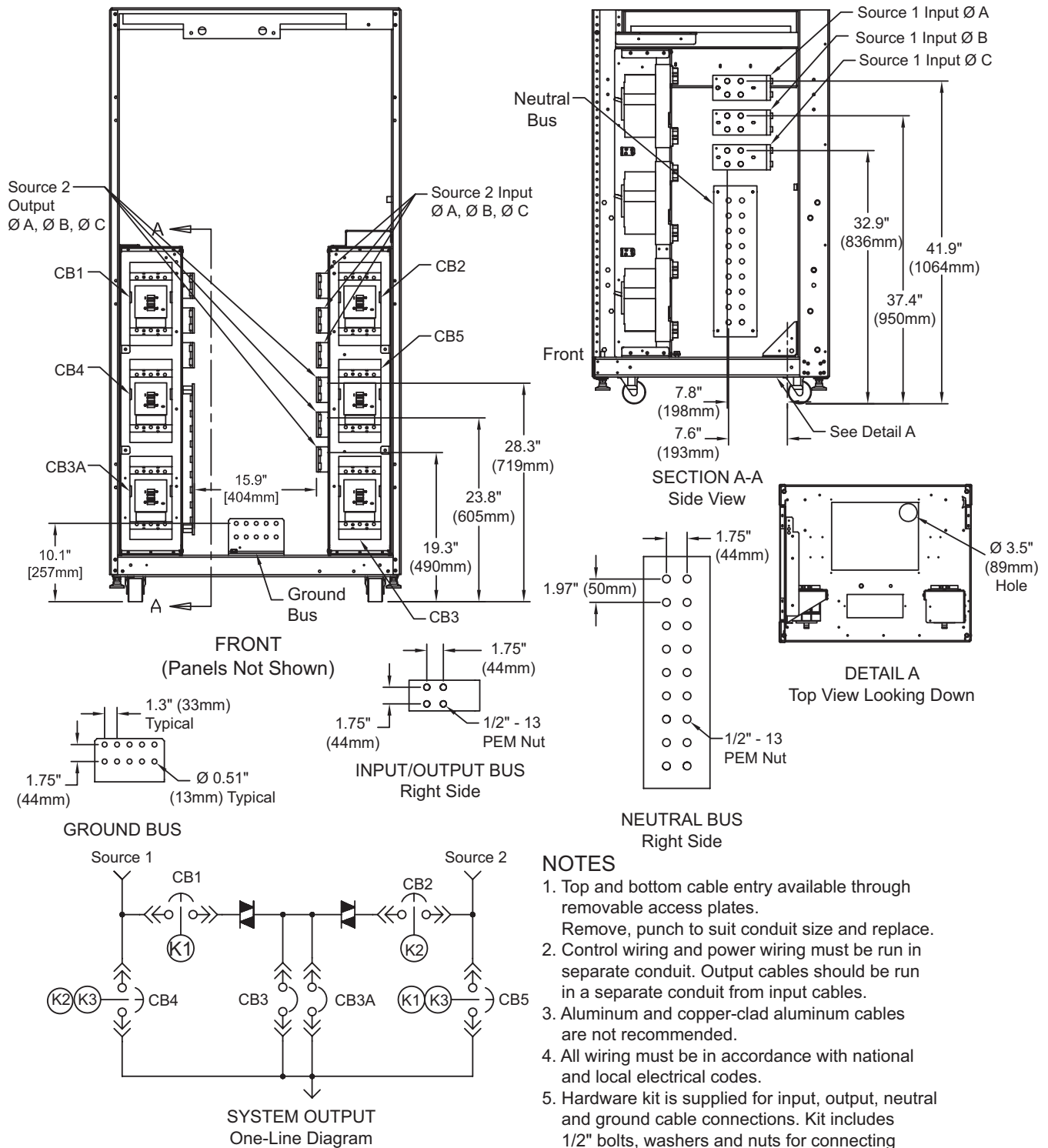


Figure 16 Electrical field connections drawing: 400 – 600 amp Liebert® STS2™ with dual output breakers



PS212401
Rev. 4

NOTES

1. Top and bottom cable entry available through removable access plates. Remove, punch to suit conduit size and replace.
2. Control wiring and power wiring must be run in separate conduit. Output cables should be run in a separate conduit from input cables.
3. Aluminum and copper-clad aluminum cables are not recommended.
4. All wiring must be in accordance with national and local electrical codes.
5. Hardware kit is supplied for input, output, neutral and ground cable connections. Kit includes 1/2" bolts, washers and nuts for connecting cables to the busbars.
6. The torque requirement for 1/2" - 13 PEM nuts is 428 in./lb (48Nm).

Figure 17 Electrical field connections drawing: 800 – 1000 amp Liebert® STS2™ with single output breaker

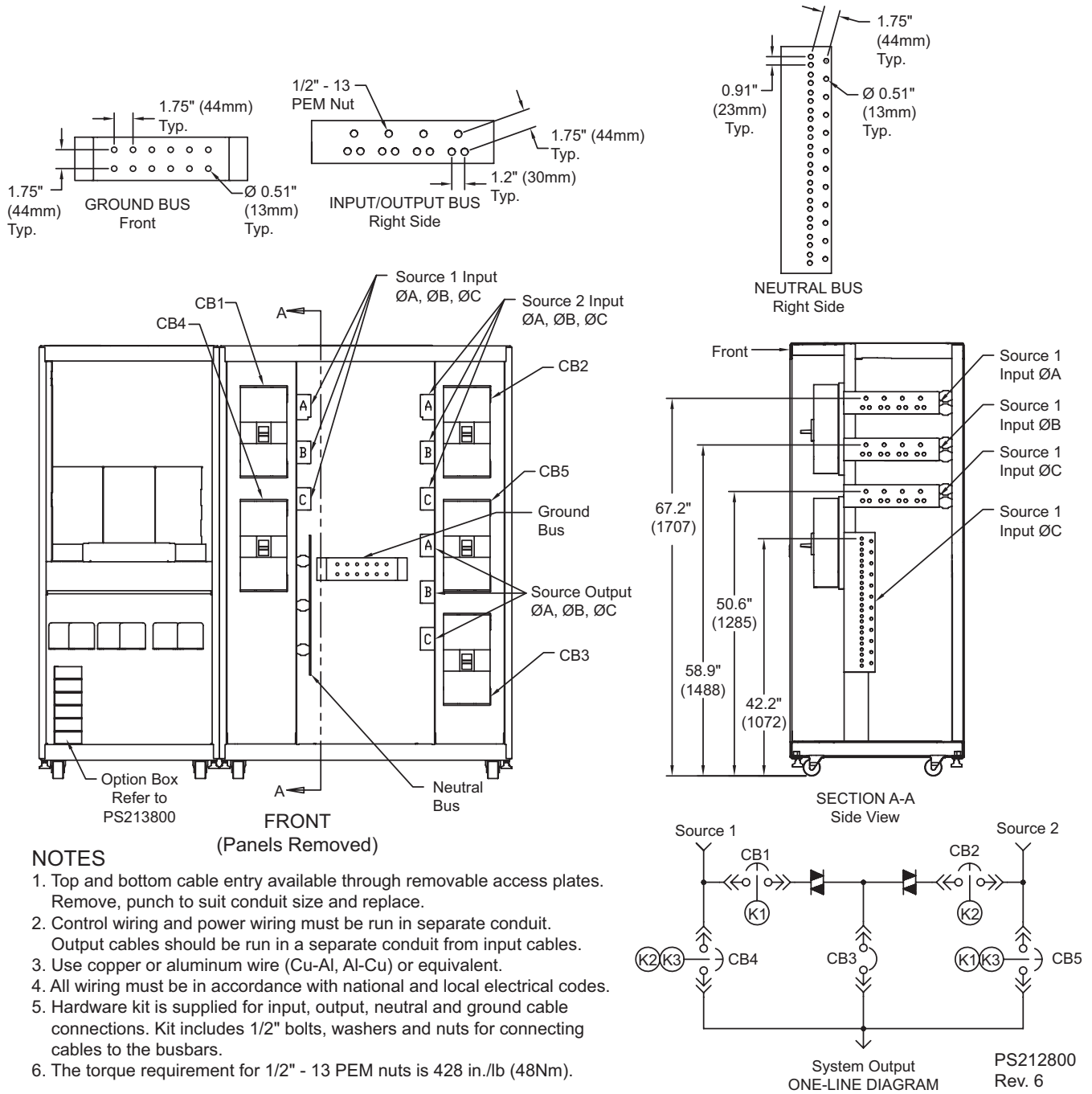
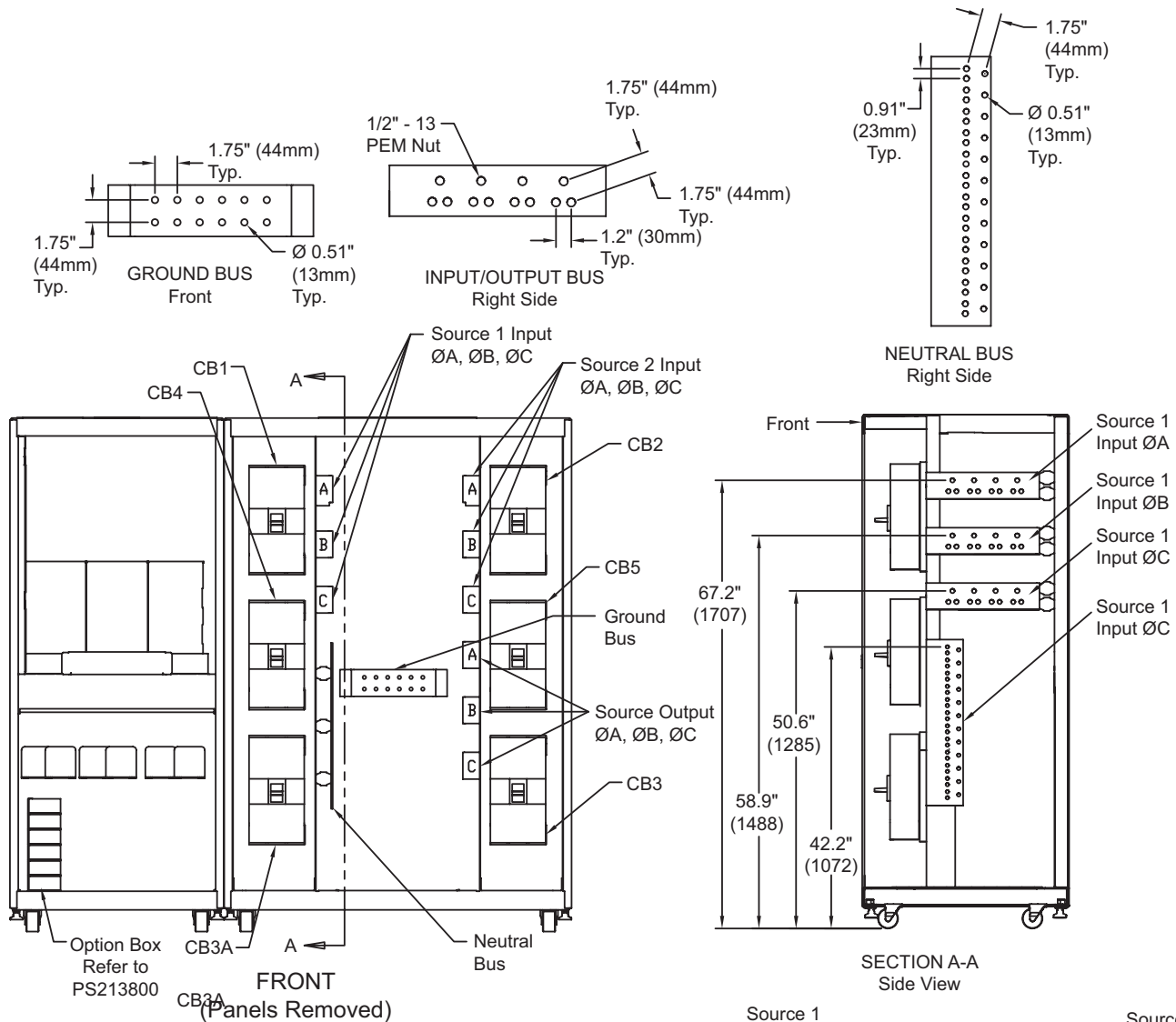


Figure 18 Electrical field connections: 800 – 1000 amp Liebert® STS2™ with dual output breakers



NOTES

1. Top and bottom cable entry available through removable access plates. Remove, punch to suit conduit size and replace.
2. Control wiring and power wiring must be run in separate conduit. Output cables should be run in a separate conduit from input cables.
3. Use copper or aluminum wire (Cu-Al, Al-Cu) or equivalent.
4. All wiring must be in accordance with national and local electrical codes.
5. Hardware kit is supplied for input, output, neutral and ground cable connections. Kit includes 1/2" bolts, washers and nuts for connecting cables to the busbars.
6. The torque requirement for 1/2" - 13 PEM nuts is 428 in./lb (48Nm).

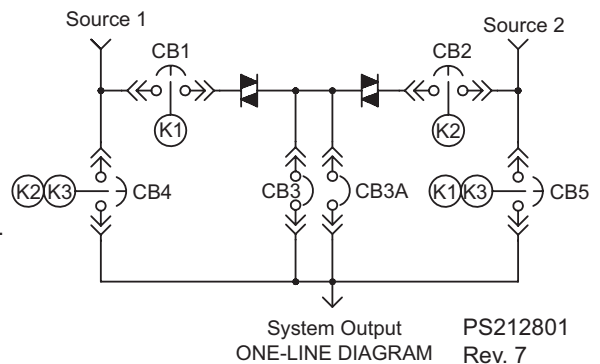


Figure 19 Control connection location diagram: 100 – 600 amp Liebert® STS2™

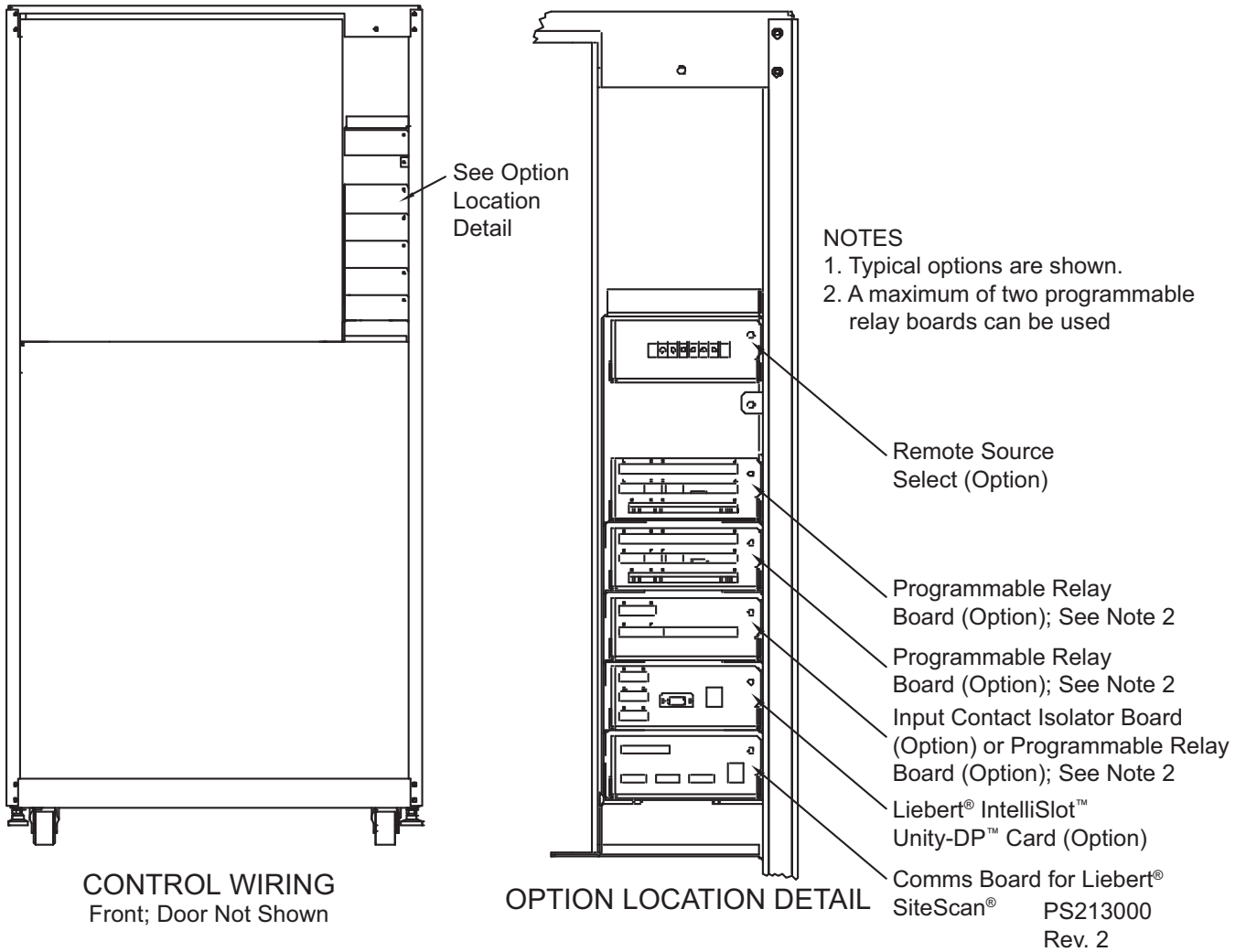


Figure 20 Control connection location diagram: 800 – 1000 amp Liebert® STS2™

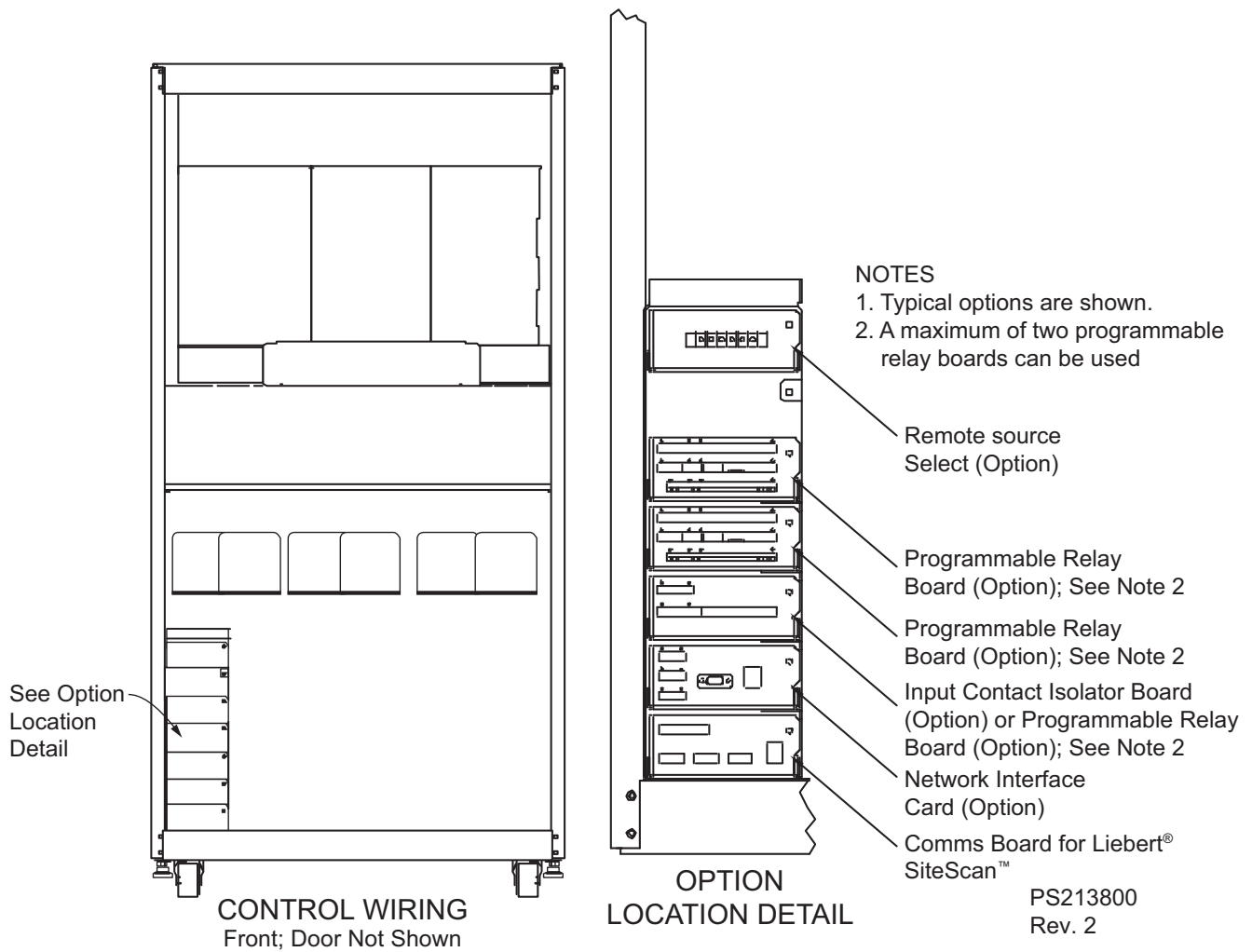
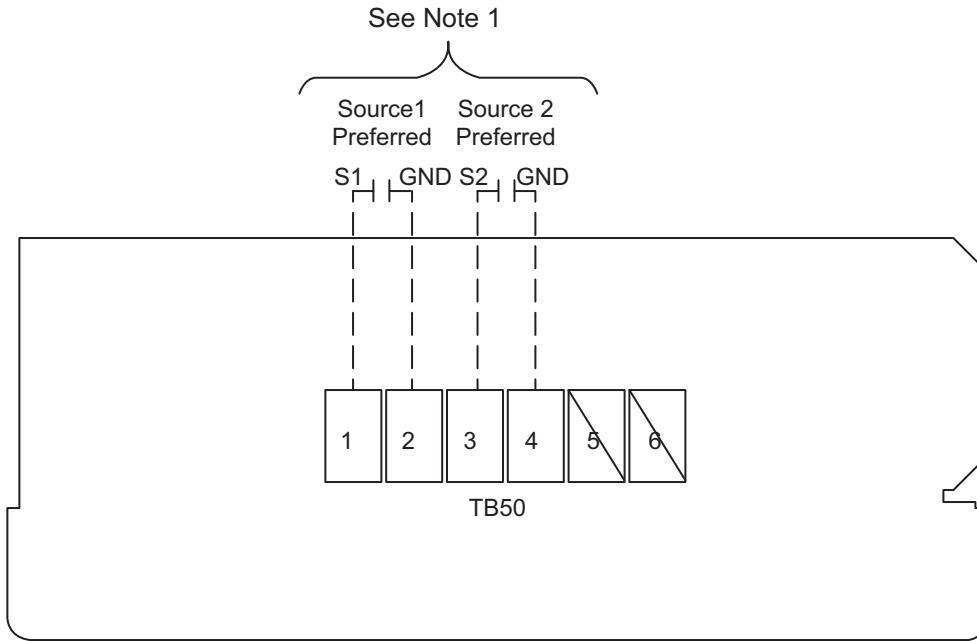


Figure 21 Control wiring for remote source selection option



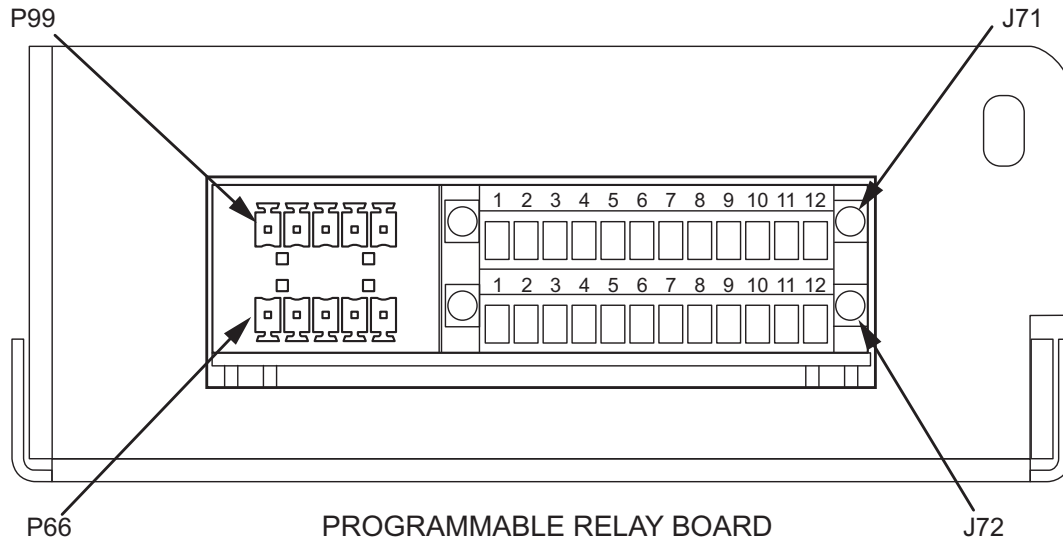
REMOTE SOURCE SELECTION

NOTES

1. Customer-provided normally open dry contacts. Rating 10mA at 30 VDC.
2. Maximum cable length 500 ft. (152m) with 16 AWG, 300V minimum, flexible stranded cable.
3. All control wiring, by others, must be run separately from power wiring. Control wiring runs should not be combined in the same conduit.
4. Refer to Static Transfer Switch control connection diagram for location of remote source selection option. All wiring must be in accordance with national and local electrical codes.

PS213007
Rev. 2

Figure 22 Control wiring for the programmable relay board option



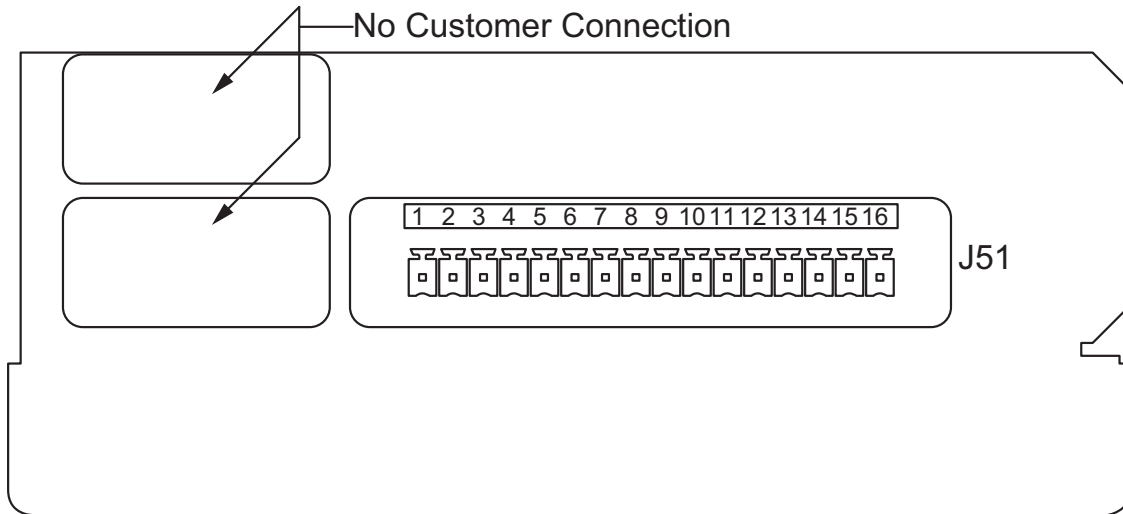
NOTES

1. Customer control wiring connection points are Terminal Blocks 1 through 12.
2. Programmable relay board option includes eight signal channels with one Form-C dry contact per channel. See table. C = Common; NC = Normally Closed; NO = Normally Open
3. Refer to accompanying text to configure the programmable relay board option.
4. All control wiring (by others) must be run separately from power wiring. Control wiring runs should not be combined in the same conduit.
5. Refer to static switch control connection diagram for location of program relay board option.
6. Contact ratings: 1A @ 30VDC, 400mA @ 125VAC.
7. Maximum cable length 500 ft. (152m) with #16AWG flexible stranded cable.
8. All wiring must be in accordance with national and local electrical codes.

PS213001
Rev. 3

Terminal Block	Channel	Pin #	Common	Normally Closed	Normally Open
J71	Ch1	1 - 3	1	2	3
	Ch2	4 - 6	4	5	6
	Ch3	7 - 9	7	8	9
	Ch4	10 - 12	10	11	12
J72	Ch5	1 - 3	1	2	3
	Ch6	4 - 6	4	5	6
	Ch7	7 - 9	7	8	9
	Ch8	10 - 12	10	11	12

Figure 23 Control wiring for the input contact isolator board option



INPUT CONTACT ISOLATOR BOARD
02-810012-XX

PS213002
Rev. 3

Table J51

Input Contact	Pin No.
1	1
	2
2	3
	4
3	5
	6
4	7
	8
5	9
	10
6	11
	12
7	13
	14
8	15
	16

NOTES:

1. Customer control wiring connection points are Terminals 1 through 16 (see Table J51).
2. Customer-provided, normally open, dry contacts for user alarm messages.
3. Refer to installation, operation and maintenance manual for configuring the Input Contact Isolator board option.
4. All control wiring (by others) must be run separate from power wiring. Control wiring runs should not be combined in the same conduit.
5. Refer to static transfer switch control connection diagram (Figure 19 or 20) for location of Input Contact Isolator board option.
6. Signal voltage: 100mA @ 12VDC.
7. Maximum cable length 500 ft. (152 m) with #16 AWG flexible, stranded cable.
8. All wiring must be in accordance with national and local electrical codes.
9. When the Transfer Inhibit option is supplied, connect a N.O. dry contact (customer-supplied) to Input Contact 8 (Pins 15 and 16). When the customer contact closes, transfers will be inhibited as long as the contact remains closed. Input Contact 8 is factory-set so no setup is required. The Transfer Inhibit option prevents Input Contact 8 from being used for any other input.

Figure 24 Control wiring for Comms board

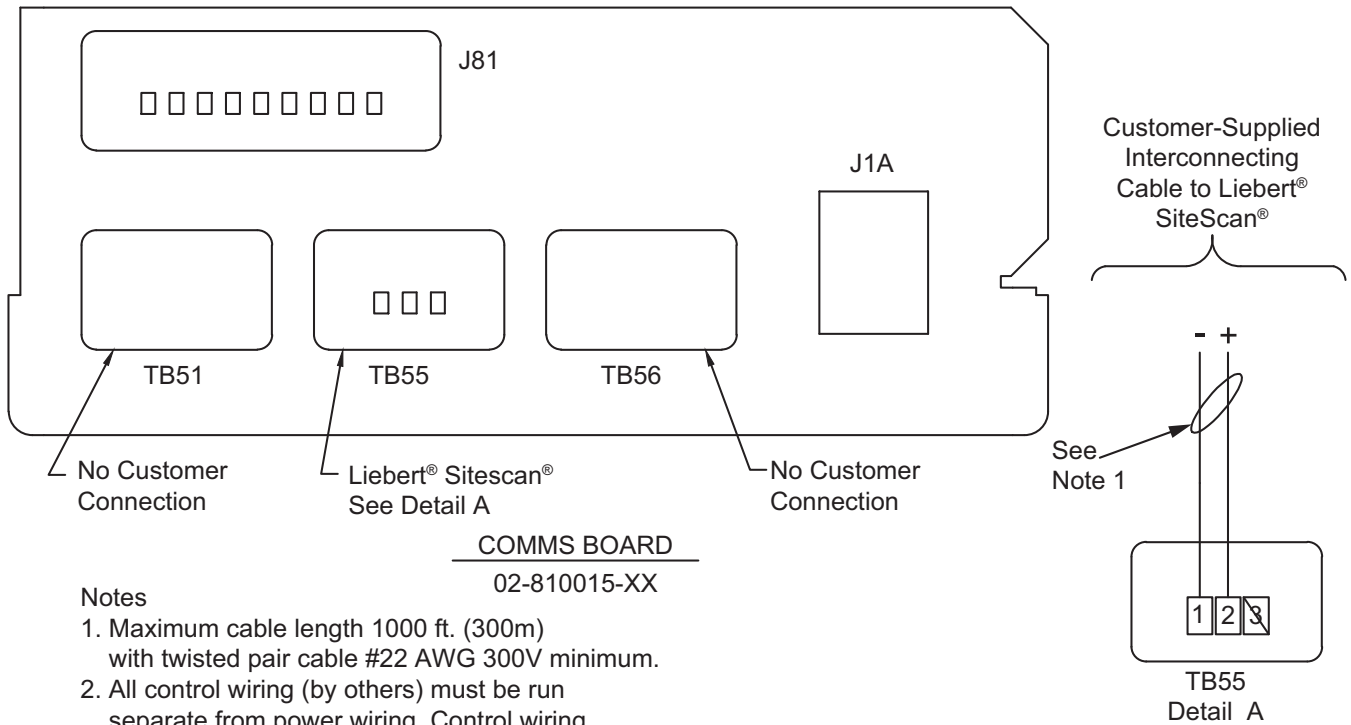
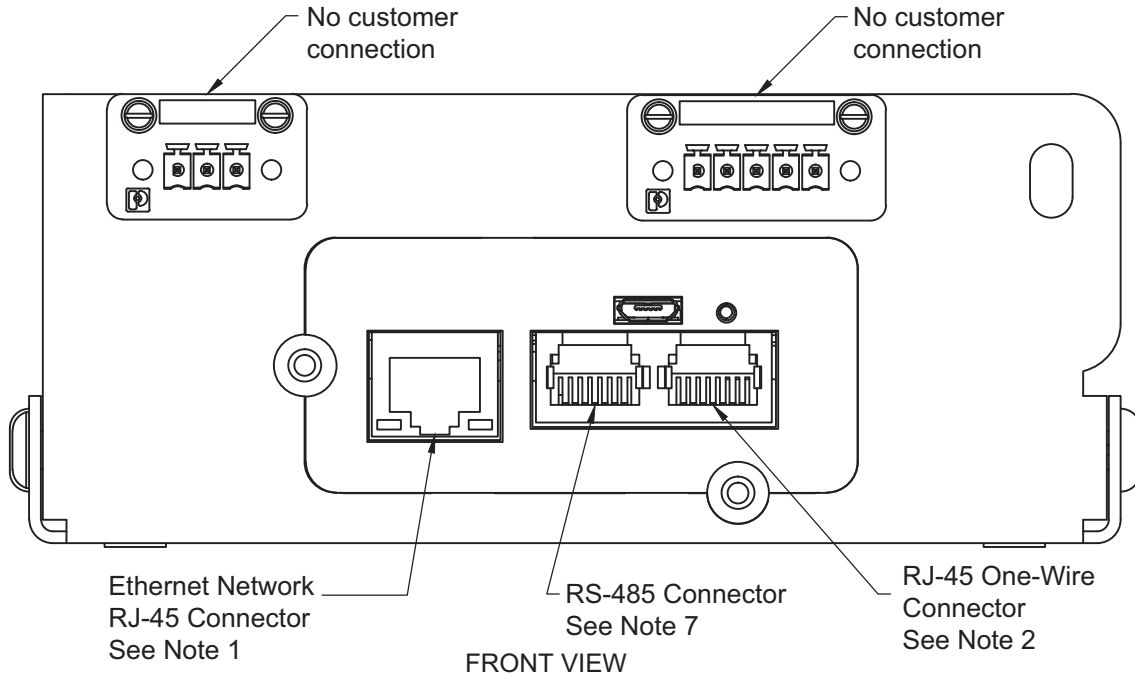


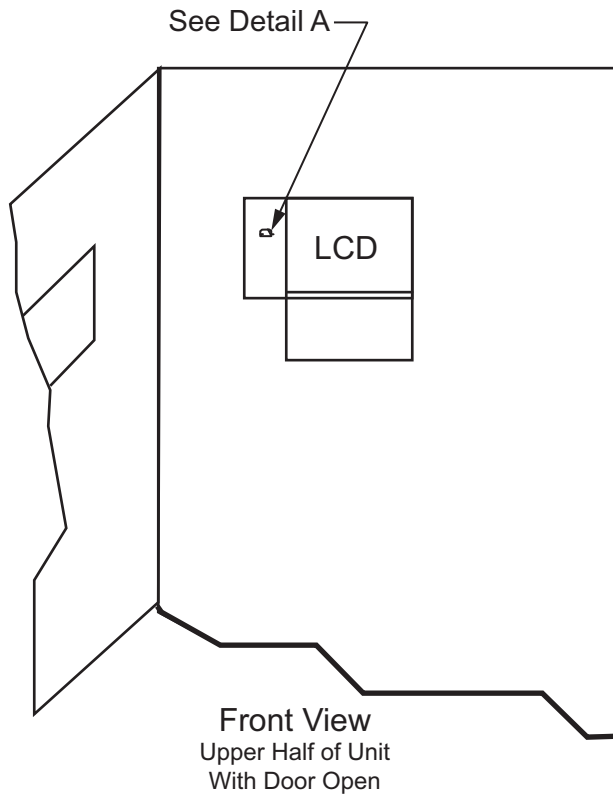
Figure 25 Control wiring for the Liebert® IntelliSlot™ Unity-DP™ Card



1. Wire size and type: Standard category 5e cable with RJ-45 connector. Maximum length is 328 ft. (100m).
2. Liebert integrated one-wire sensor cable or 2m Cat 5e to modular one-wire sensor. Maximum length 65.6 ft. (20m).
3. Refer to the Liebert® IntelliSlot™ Unity-DP™ Card's installation, operation and maintenance manual for configuring the card.
4. All control wiring (by others) must be run separate from power wiring. Control wiring runs should not be combined in the same conduit.
5. Refer to control connection location diagram of static transfer switch for location of Liebert® IntelliSlot™ Unity-DP™ card option.
6. All wiring must be in accordance with national and local electrical codes.
7. RS-485 requires the use of the RJ-45 adapter provided with the Liebert® IntelliSlot™ Unity-DP™ Card (P/N RJ-45-2POS). Refer to the Liebert® IntelliSlot™ Unity-DP™ card's manual for details.

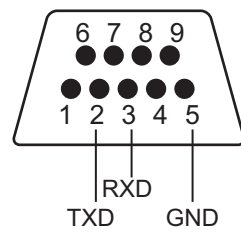
PS213009
Rev. 0

Figure 26 Control wiring for the RS-232 port



Notes:

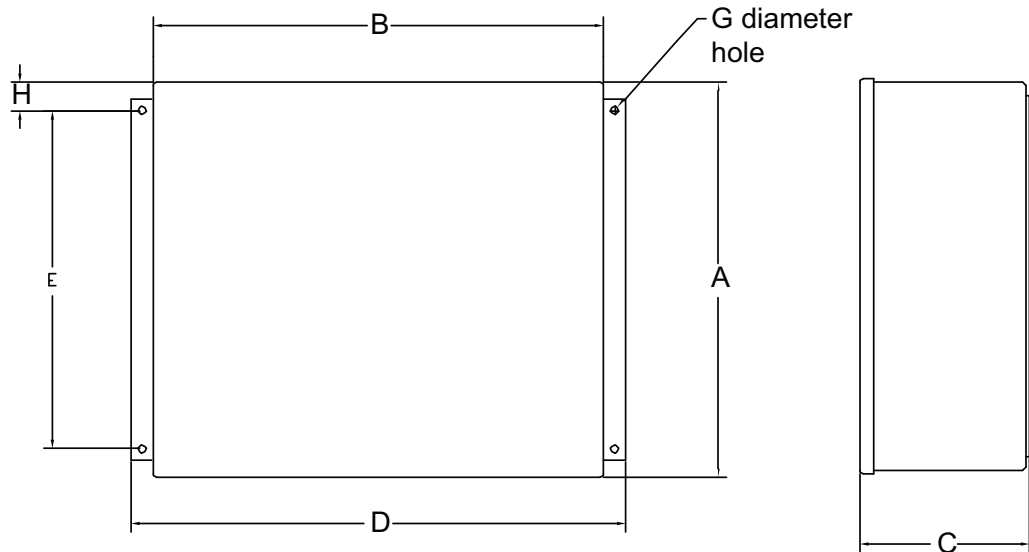
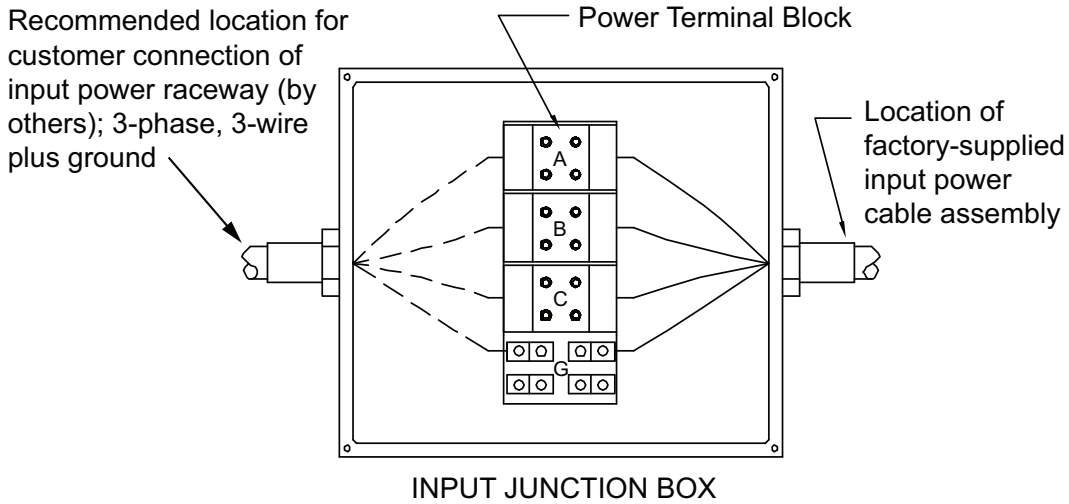
1. RS-232 communication through DB9 connector .
2. Connector accessible with front door open . The cable must be removed before closing door .



**DB9 Connector
Detail A**

PS213006
Rev. 1

Figure 27 Outline drawing for input junction box



1. Two junction boxes are supplied; one for each output.
2. Cable(s) to connect the junction box to the input busbars are factory supplied. See electrical field connections drawing for location.
3. Parallel cables are used on 400A and 600A units.

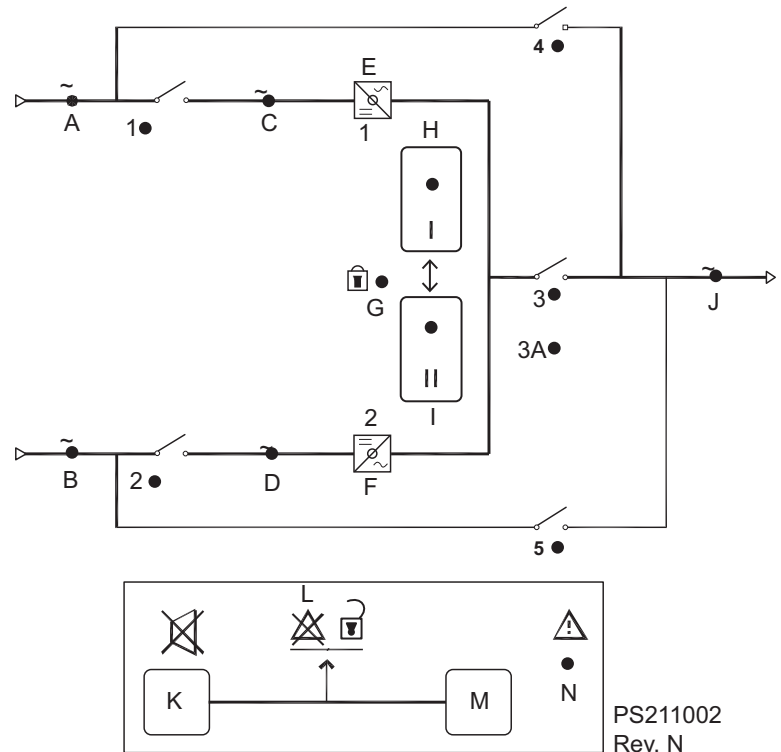
PS211005
Rev. 0

Input Junction Box									
Rating	Dimensions, Inches (mm)								Wire Size Range
	A	B	C	D	E	F	G	H	
100A	16 (406)	14 (356)	6 (152)	17-1/2 (445)	12 (305)	16-3/4 (426)	5/16 (8)	1 (25)	#6 AWG to #2/0 AWG
250A - 600A	16 (406)	30 (762)	6 (152)	33 (830)	10 (254)	32 (813)	7/16 (11)	3 (76)	(2) #6 AWG to (2) 500 kcmil

Figure 28 LED display

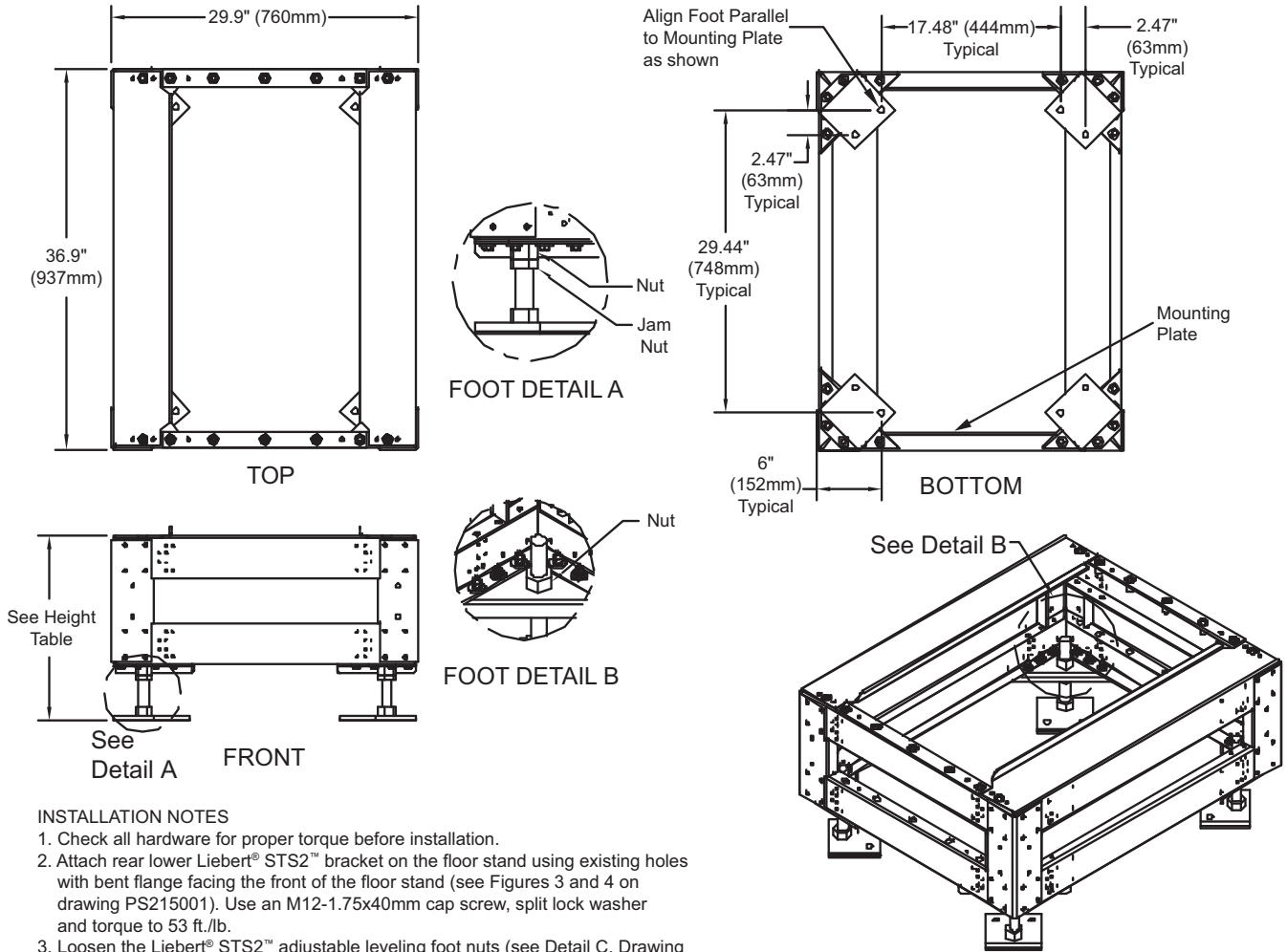
DISPLAY LEGEND

Symbol	LED	Description
A	Green	Source 1 Power is Present
B	Green	Source 2 Power is Present
C	Green	Source 1 Within Tolerance
D	Green	Source 2 Within Tolerance
E	Green	Source 1 SCR's On
F	Green	Source 2 SCR's On
G	Yellow	Source Transfer Inhibited
H	Green	Push Button to Select Source 1 as the Preferred Source
I	Green	Push Button to Select Source 2 as the Preferred Source
J	Green	Output Power is Present
K	—	Alarm Silence Button
L	—	Symbol to indicate the K and M must be pushed at the same time to reset alarm.
M	—	Alarm Reset Push Button
N	Red	Alarm Present
1	Green	CB1 Closed
2	Green	CB2 Closed
3	Green	CB3 Closed
3A	Green	CB3A Closed
4	Yellow	CB4 Closed
5	Yellow	CB5 Closed



PS211002
Rev. N

Figure 29 Installation drawing, seismic floor stand 100-250A



INSTALLATION NOTES

1. Check all hardware for proper torque before installation.
2. Attach rear lower Liebert® STS2™ bracket on the floor stand using existing holes with bent flange facing the front of the floor stand (see Figures 3 and 4 on drawing PS215001). Use an M12-1.75x40mm cap screw, split lock washer and torque to 53 ft./lb.
3. Loosen the Liebert® STS2™ adjustable leveling foot nuts (see Detail C, Drawing PS215001). Install the rear upper Liebert® STS2™ bracket using existing holes on the underside of the Liebert® STS2™ with tabs facing out (Figures 1 and 2, Drawing PS215001). Install the front upper Liebert® STS2™ bracket using existing holes on the underside of the Liebert® STS2™ with the bent flange facing to the front (Figures 1 and 2, Drawing PS215001). Use an M12-1.75x40mm cap screw, split lock washer and flat washer and torque to 53 ft. lb. Tighten the leveling foot nuts.
4. The floor stand can be installed next to a wall if needed; rear access is not required. Install the floor stand with its feet oriented as shown in the bottom view of Drawing PS215000. The floor stand must be level and all feet must be touching the floor. Attach the floor stand feet using 1/2" x 4" Red Head Trubolts expansion anchors (field-supplied); two per foot.
5. Roll the Liebert® STS2™ onto the floor stand so that the tabs on the rear upper Liebert® STS2™ bracket fit into the slots on the rear lower Liebert STS2 bracket. The tabs must extend at least 1/2" (12.9mm) through the floor stand bracket (Figure 2, Drawing PS215002).
6. Install the lower front brackets (Figure 1, Detail A, Drawing PS215002). Attach the bracket to the Liebert STS2 using M10-1.50x30mm cap screw, split lock washer and flat washer. Torque to 31 ft./lb. Attach the bracket to the floor stand using M12-1.75x40mm cap screw, split lock washer and flat washer. Torque to 53 ft./lb.

PS215000
Rev. 3

HARDWARE TORQUE	
1.0" Nut	320 ft./lb.
M8 - 1.25	16 ft./lb.
M10 - 1.5	31 ft./lb.
M12 - 1.75	53 ft./lb.

HEIGHT TABLE			
Floor Stand Part No.	Height	Maximum Height	Minimum Height
523401G1	18.0"	19.25"	16.00"
523402G1	24.0"	25.25"	22.00"
523403G1	30.0"	31.25"	28.00"
523404G1	36.0"	37.25"	34.00"

Figure 30 Installation drawing, seismic floor stand 100-250A

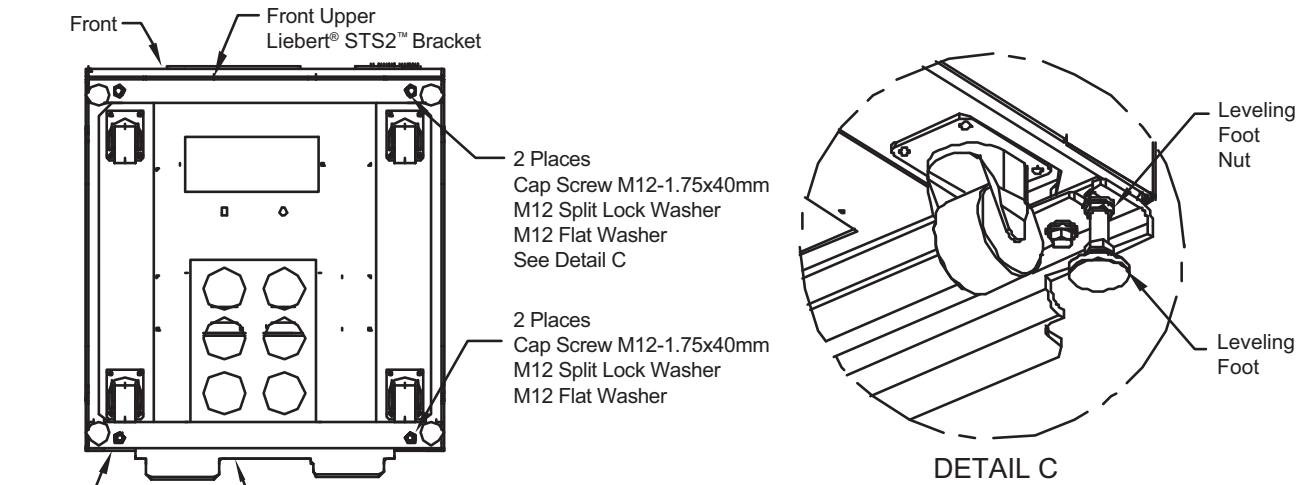


FIGURE 1
Bottom of Liebert® STS2™
with Upper Brackets

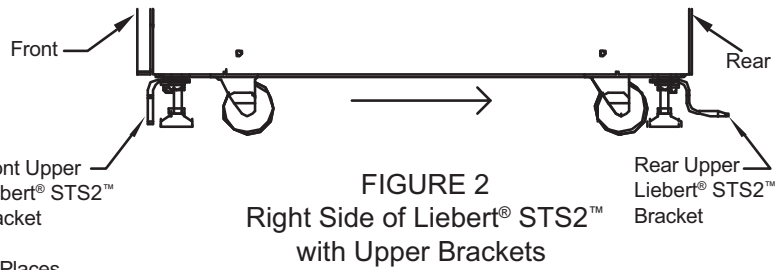


FIGURE 2
Right Side of Liebert® STS2™
with Upper Brackets

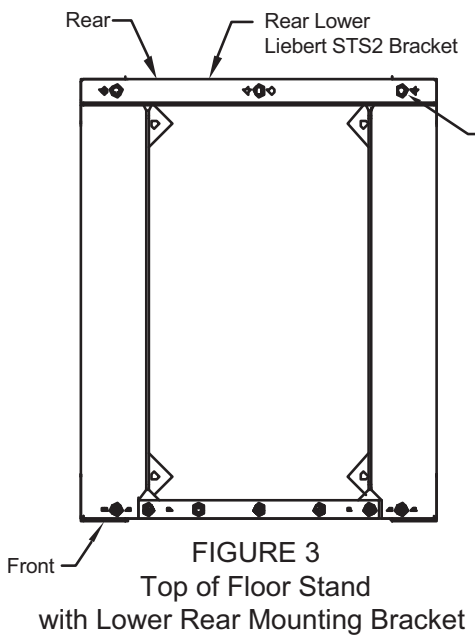


FIGURE 3
Top of Floor Stand
with Lower Rear Mounting Bracket

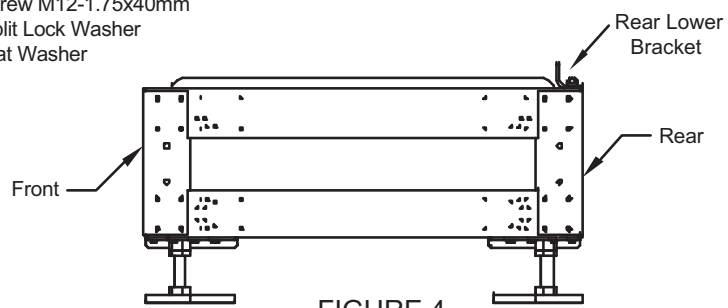


FIGURE 4
Right Side of Floor Stand
with Lower Rear Mounting Bracket

See Drawings PS215000, PS215002 and PS215003 for details. PS215001 Rev. 1

Figure 31 Installation drawing, seismic floor stand 100-250A

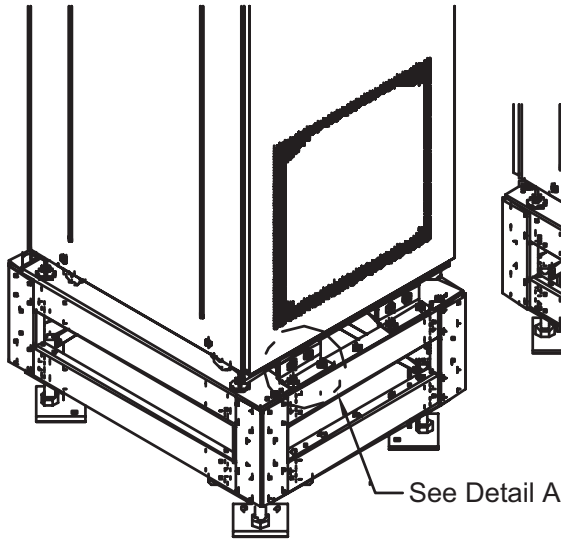


FIGURE 1
Front Left Isometric View

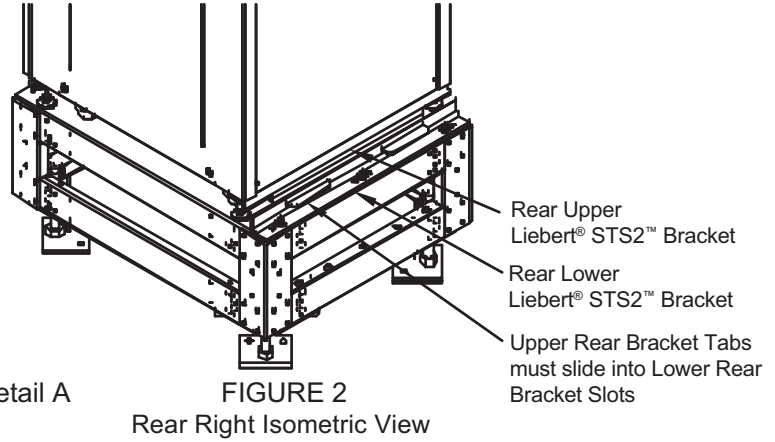


FIGURE 2
Rear Right Isometric View

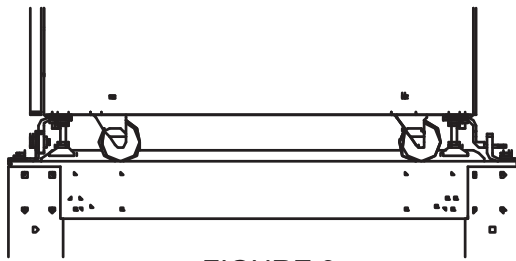
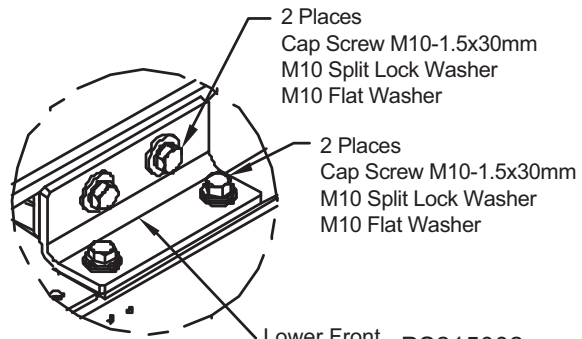


FIGURE 3
Right Side View

See Drawings PS215000, PS215001 and PS215003 for details.



DETAIL A
2 Places

Lower Front Bracket
PS215002
Rev. 1

Figure 32 Installation drawing, seismic floor stand 100-250A

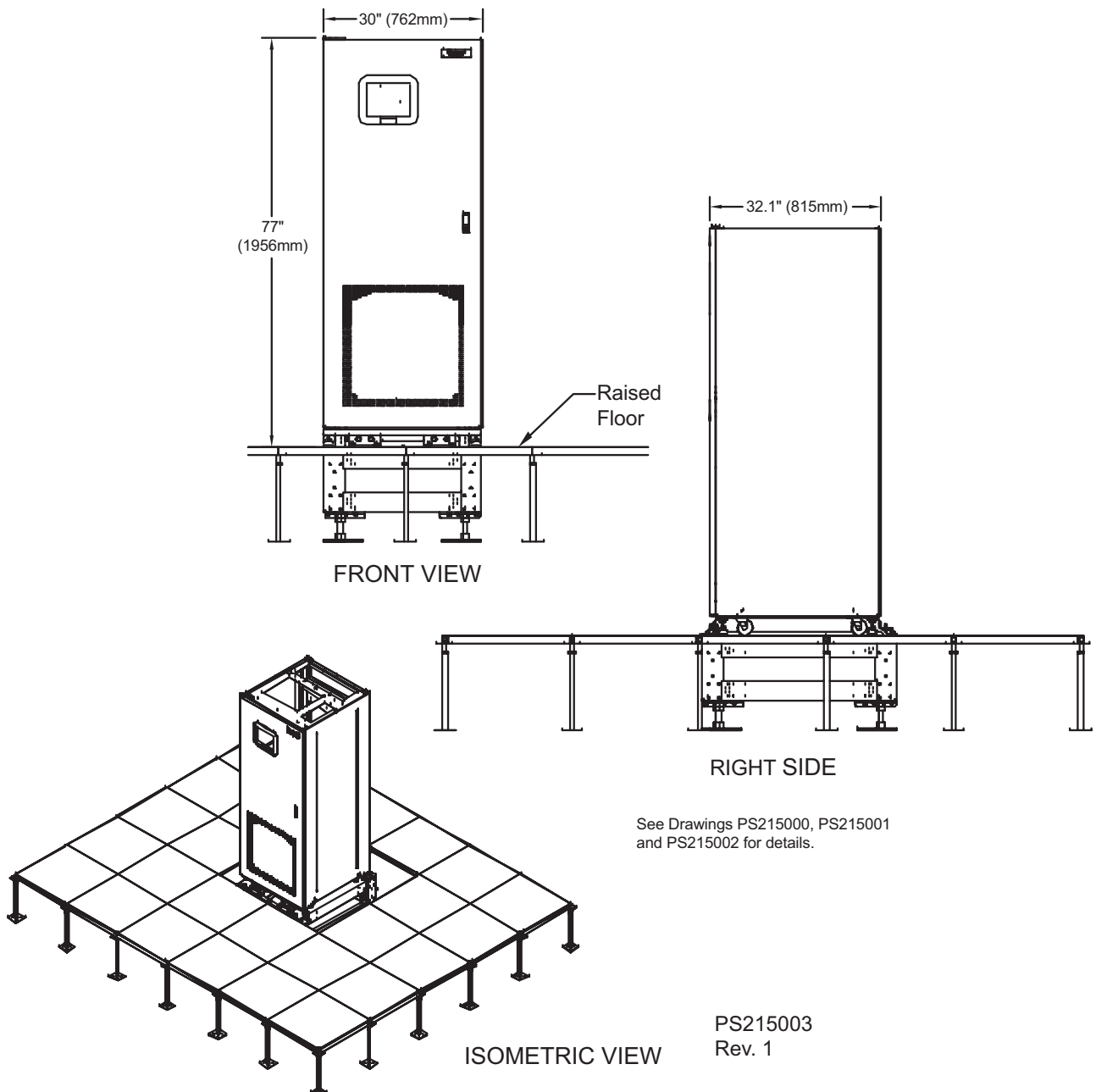
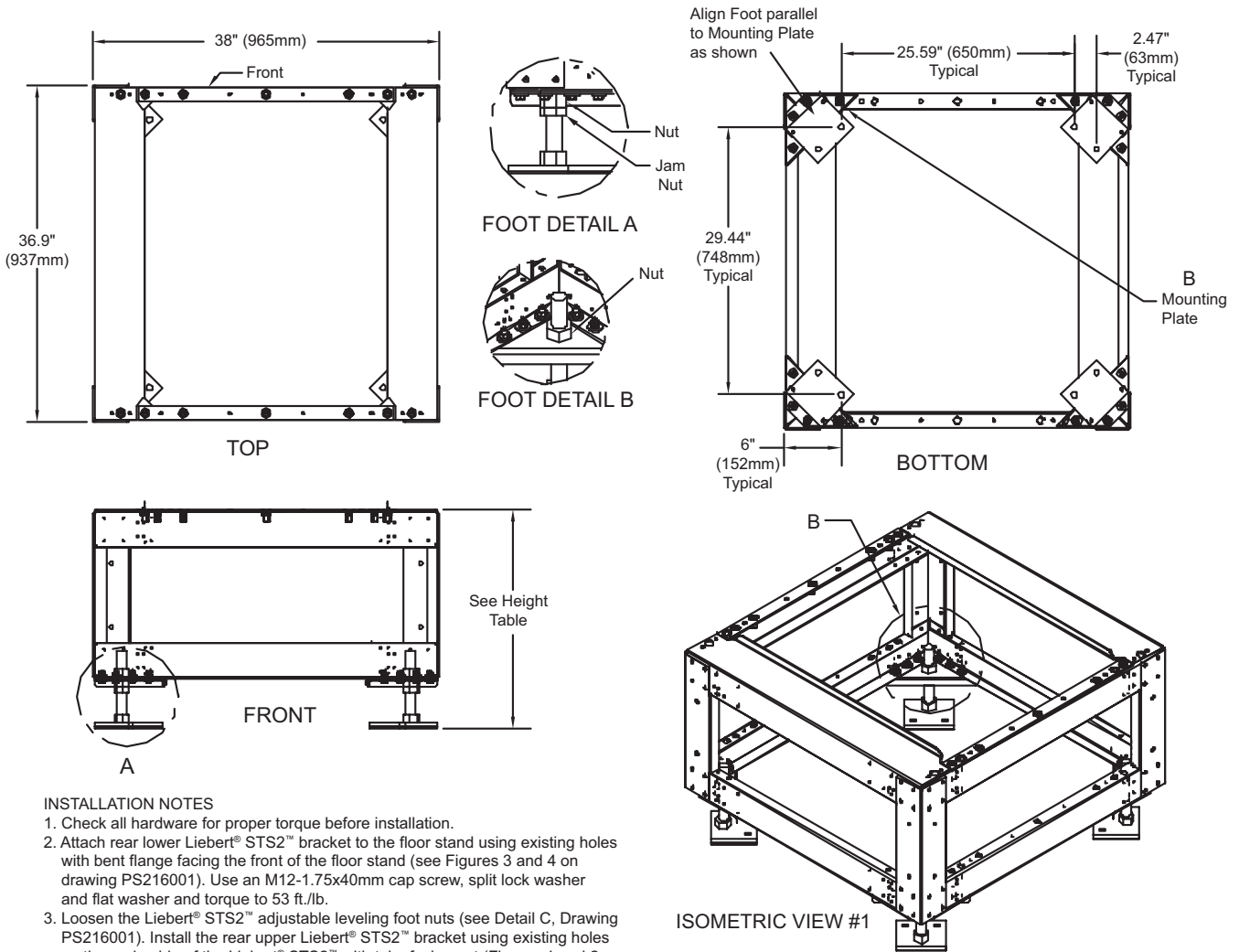


Figure 33 Installation drawing, seismic floor stand 400-600A



INSTALLATION NOTES

1. Check all hardware for proper torque before installation.
2. Attach rear lower Liebert® STS2™ bracket to the floor stand using existing holes with bent flange facing the front of the floor stand (see Figures 3 and 4 on drawing PS216001). Use an M12-1.75x40mm cap screw, split lock washer and flat washer and torque to 53 ft./lb.
3. Loosen the Liebert® STS2™ adjustable leveling foot nuts (see Detail C, Drawing PS216001). Install the rear upper Liebert® STS2™ bracket using existing holes on the underside of the Liebert® STS2™ with tabs facing out (Figures 1 and 2, Drawing PS216001). Install the front upper Liebert® STS2™ bracket using existing holes on the underside of the Liebert® STS2™ with the bent flange facing to the front (Figures 1 and 2, Drawing PS216001). Use an M12-1.75x40mm cap screw, split lock washer flat washer and and torque to 53 ft. lb. Retighten the leveling foot nuts.
4. The floor stand can be installed next to a wall if needed; rear access is not required. Install the floor stand with its feet oriented as shown in the bottom view of Drawing PS216000. The floor stand must be level and all feet must be touching the floor. Attach the floor stand feet using 1/2" x 4" Red Head Trubolts expansion anchors (field-supplied); two per foot.
5. Roll the Liebert® STS2™ onto the floor stand so that the tabs on the rear upper Liebert® STS2™ bracket fit into the slots on the rear lower Liebert STS2 bracket. The tabs must extend at least 1/2" (12.9mm) through the floor stand bracket (Figure 2, Drawing PS216002).
6. Install the lower front brackets (Figure 1, Detail A, Drawing PS216002). Attach the bracket to the Liebert STS2 using M10-1.50x30mm cap screw, split lock washer and flat washer. Torque to 31 ft./lb. Attach the bracket to the floor stand using M12-1.75x40mm cap screw, split lock washer and flat washer. Torque to 53 ft./lb.

PS216000
Rev.2

HARDWARE TORQUE

1.0" Nut	320 ft./lb.
M8 - 1.25	16 ft./lb.
M10 - 1.5	31 ft./lb.
M12 - 1.75	53 ft./lb.

HEIGHT TABLE

Floor Stand Part No.	Height	Maximum Height	Minimum Height
523405G1	18.0"	19.25"	16.75"
523406G1	24.0"	25.25"	22.75"
523407G1	30.0"	31.25"	28.75"
523408G1	36.0"	37.25"	34.75"
528737G2	14.0"	15.25"	12.75"
528737G1	12.0"	13.25"	10.75"

Figure 34 Installation drawing, seismic floor stand 400-600A

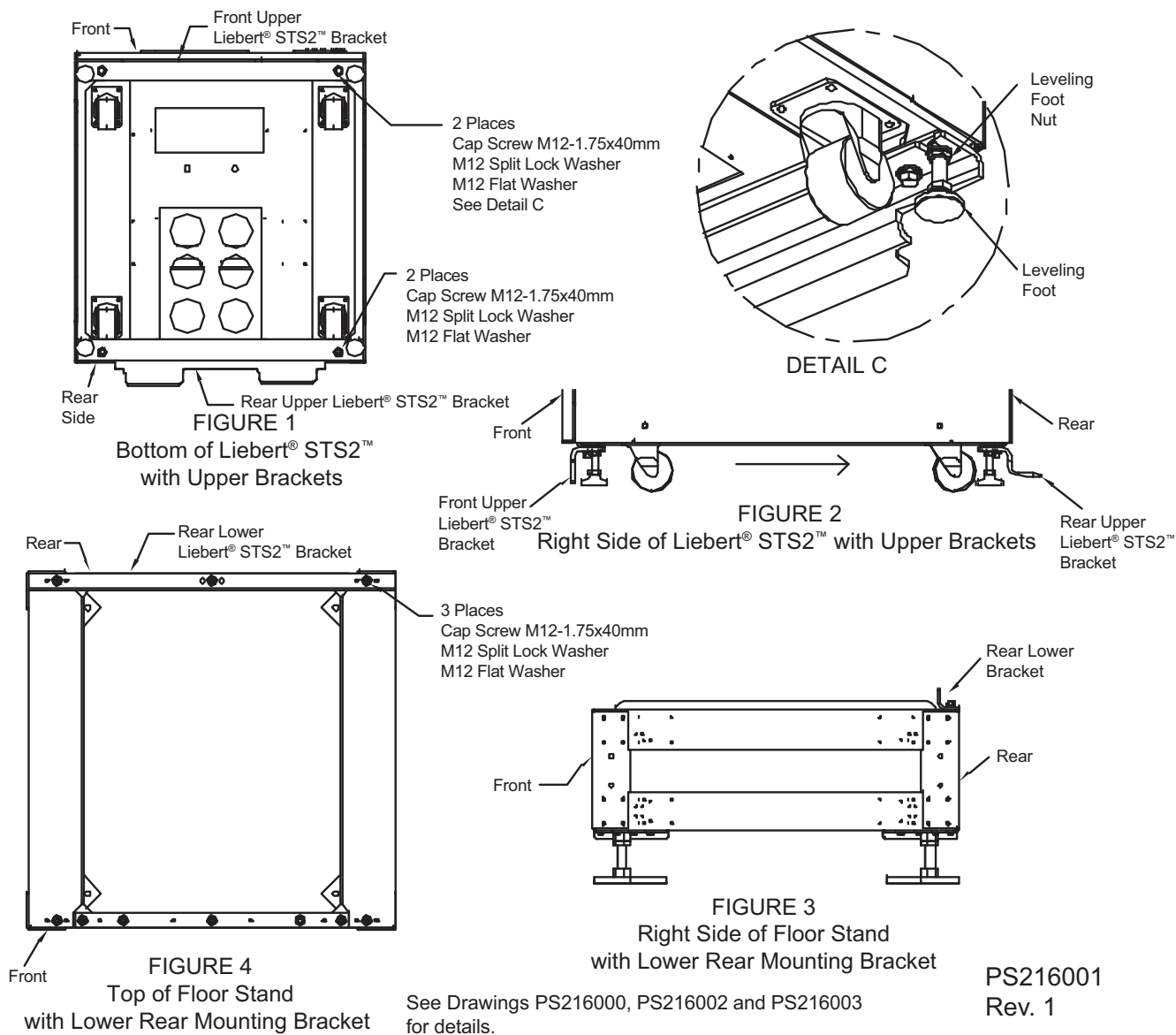


Figure 35 Installation drawing, seismic floor stand 400-600A

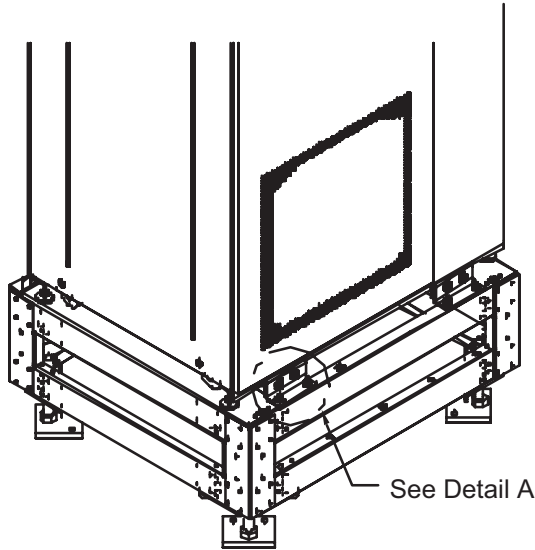


FIGURE 1
Front Left Isometric View

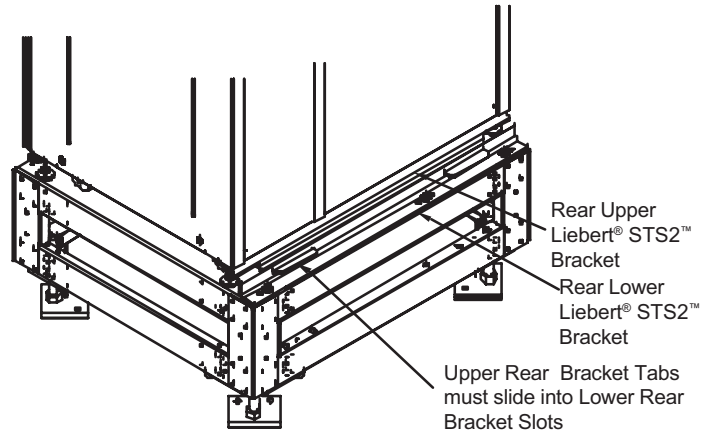


FIGURE 2
Rear Right Isometric View

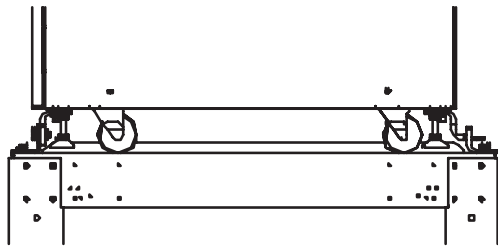
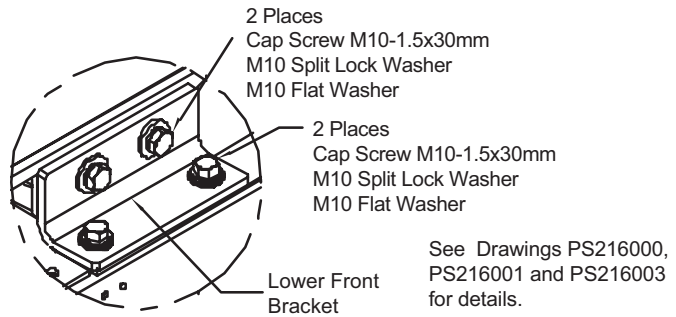


FIGURE 3
Right Side View



DETAIL A
2 Places
PS216002
Rev. 1

Figure 36 Installation drawing, seismic floor stand 400-600A

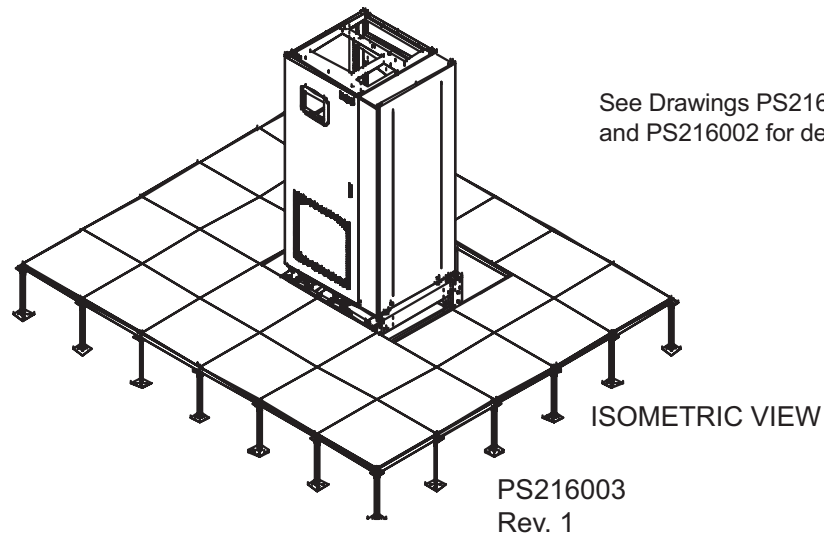
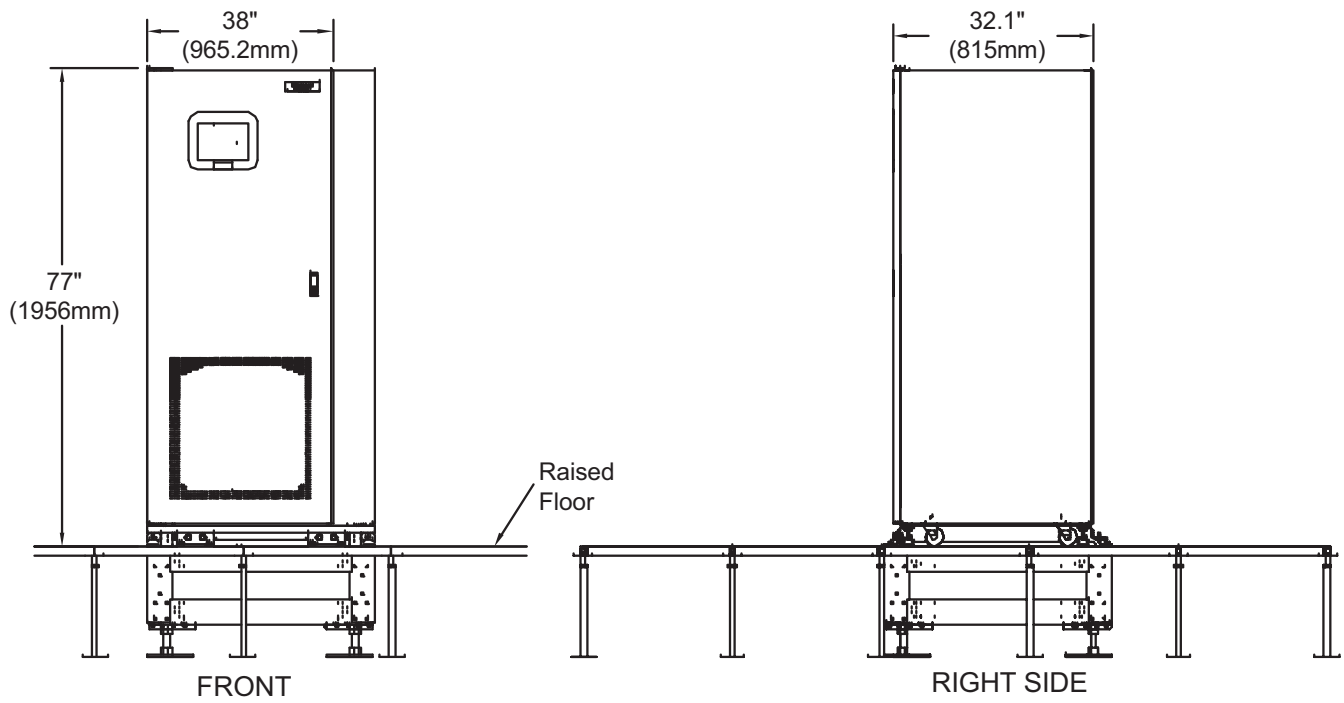
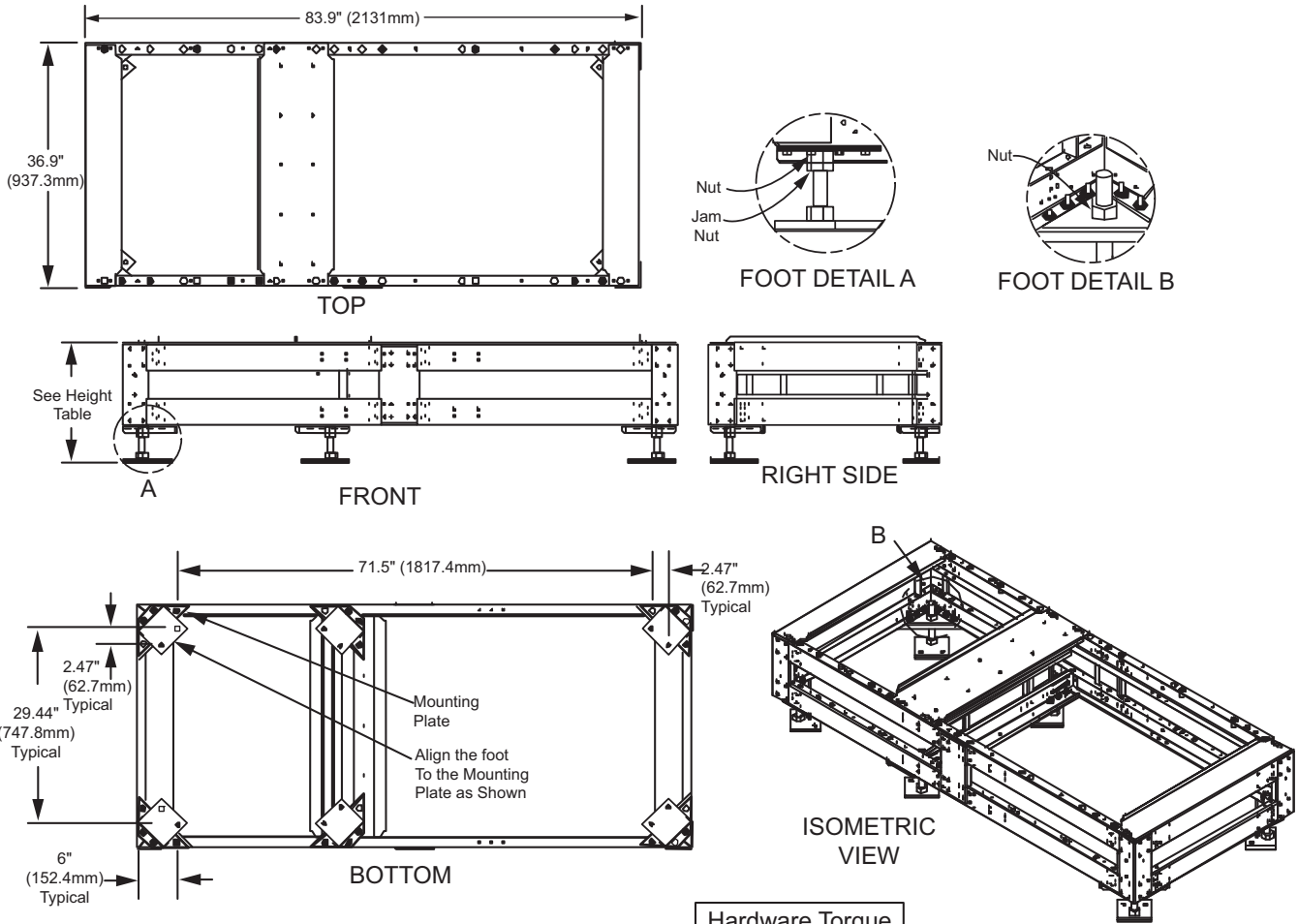


Figure 37 Installation drawing, seismic floor stand 800-1000A



INSTALLATION NOTES

1. Check all hardware for proper torque before installation.
2. Install rear lower Liebert® STS2™ bracket on the floor stand using existing holes with bent flange facing the front of the floor stand (see Figures 3 and 4 on Drawing PS217001). Use an M12-1.75x40mm cap screw, split lock washer and flat washer. Torque to 53 ft./lb.
3. Loosen the Liebert® STS2™ adjustable leveling foot nuts (see Detail C, Drawing PS217001). Install the rear upper Liebert® STS2™ bracket using existing holes on the underside of the Liebert® STS2™ with tabs facing out (Figures 1 and 2, Drawing PS217001). Install the front upper Liebert® STS2™ bracket using existing holes on the underside of the Liebert® STS2™ with the bent flange facing to the front (Figures 1 and 2, Drawing PS217001). Use an M12-1.75x40mm cap screw, split lock washer and flat washer. Torque to 53 ft./lb. Retighten the leveling foot nuts.
4. The floor stand can be installed next to a wall if needed; rear access is not required. Install the floor stand with its feet oriented as shown in the bottom view of Drawing PS217000. To adjust vertical height of floor stand feet, loosen adjust and tighten the nuts and jam nut shown in (foot Details A and B, on DWG PS217000). The floor stand must be level and all feet must be touching the floor. Attach the floor stand feet using 1/2" x 4" Red Head Trubolts expansion anchors (field-supplied); two per foot.
5. Roll the Liebert® STS2™ onto the floor stand so that the tabs on the rear upper Liebert STS2 bracket fit into the slots on the rear lower Liebert STS2 bracket. The tabs must extend at least 1/2" (12.9mm) through the floor stand bracket (Figure 2, Drawing PS217002).
6. Install the lower front brackets (Figure 1, Detail A, Drawing PS215002). Attach the bracket to the Liebert STS2 using M10-1.50x30mm cap screw, split lock washer and flat washer. Torque to 31 ft./lb. Attach the bracket to the floor stand using M12-1.75x40mm cap screw, split lock washer and flat washer. Torque to 53 ft./lb.

Hardware Torque

1.0" Nut	320 ft/lb
M8 - 1.25	16 ft/lb
M10 - 1.5	31 ft/lb
M12 - 1.75	53 ft/lb

Floor Stand Height

Floor Stand Part. #	Height	Maximum Height	Minimum Height
523409G1	18.0"	19.25"	16.75"
523410G1	24.0"	25.25"	22.75"
523411G1	30.0"	31.25"	28.75"
523412G1	36.0"	37.25"	34.75"
523416G1	14.0"	15.25"	12.75"

PS217000
Rev. 3

Figure 38 Installation drawing, seismic floor stand 800-1000A

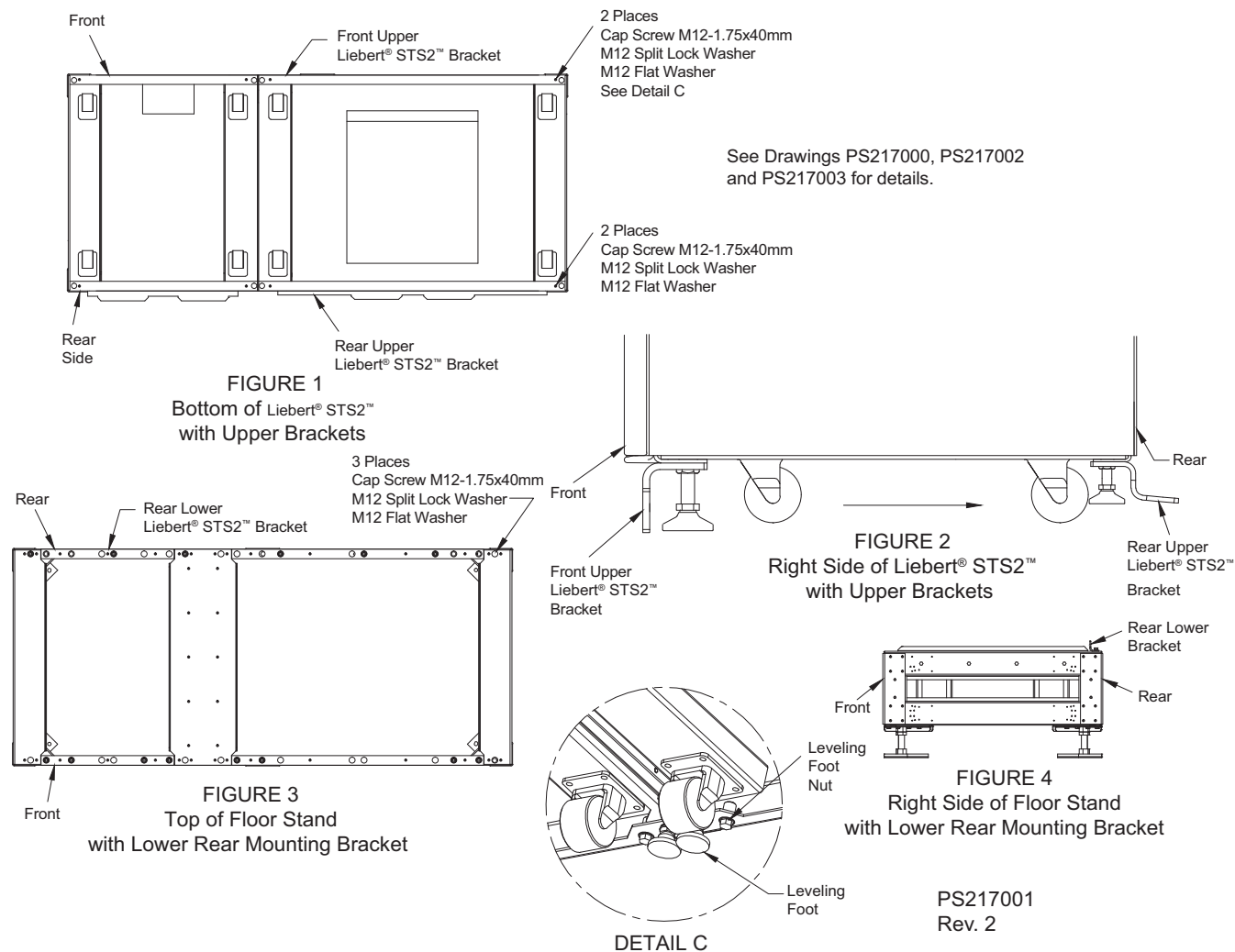


Figure 39 Installation drawing, seismic floor stand 800-1000A

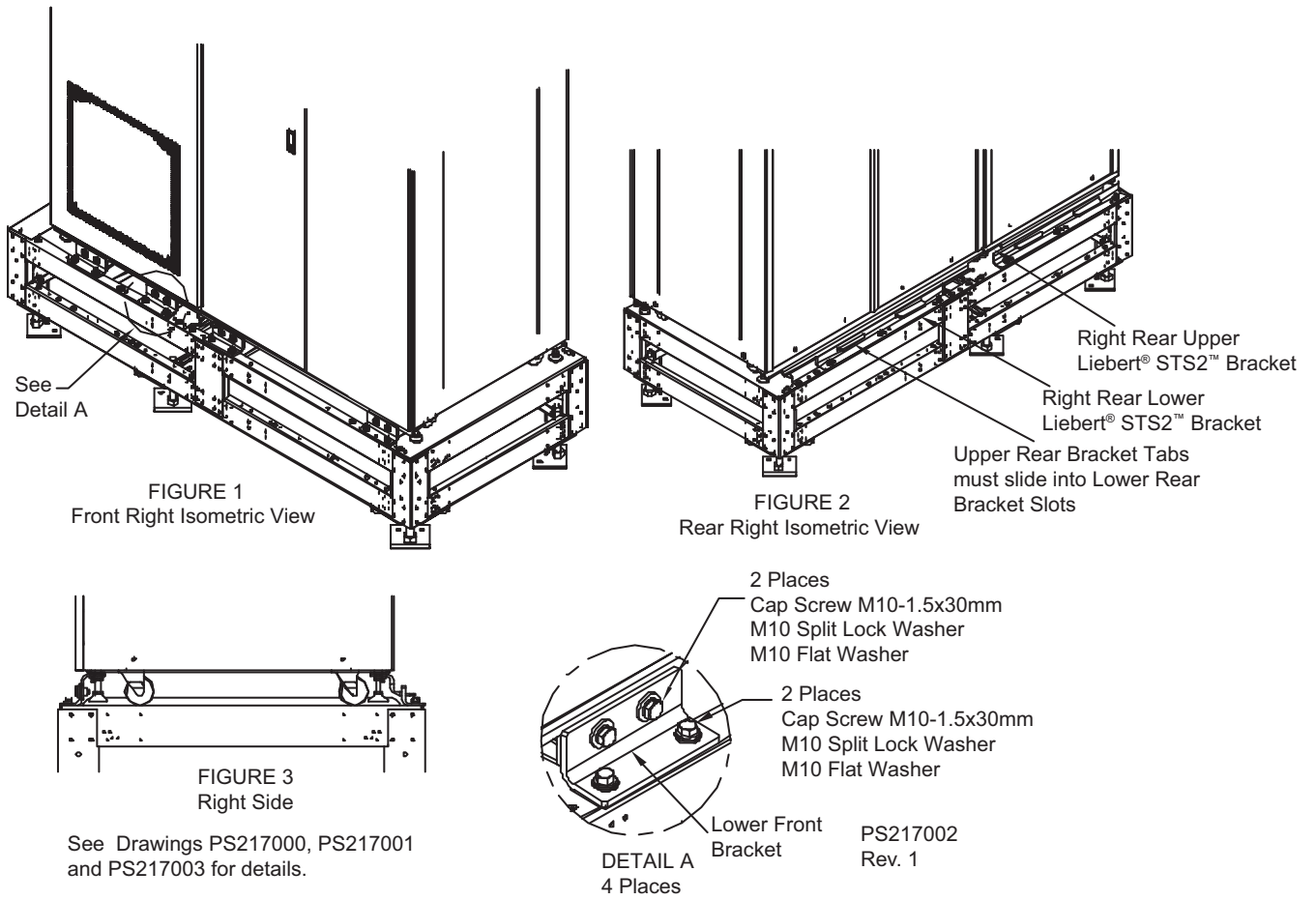
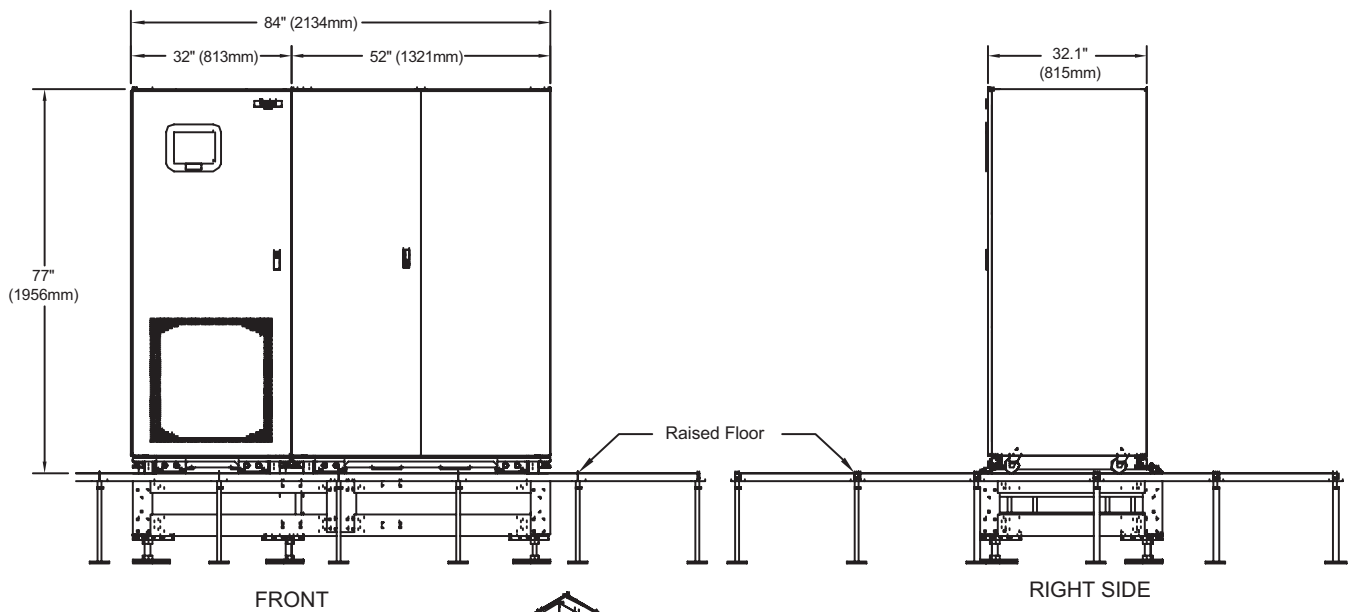
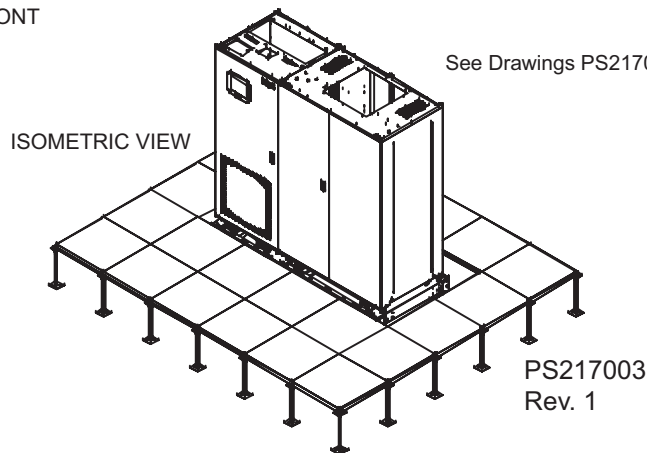


Figure 40 Installation drawing, seismic floor stand 800-1000A



See Drawings PS217000, PS217001 and PS217002 for details.



8.0 INTRODUCTION TO LIEBERT® STS2™ OPERATIONS

8.1 System Description

A Liebert® STS2™ provides an automatic, seamless transfer between input power sources to an output load. The Liebert® STS2™ monitors the input sources, to ensure each source is operating within set parameters, as well as ensure that each source is within acceptable tolerances for a transfer between sources to be completed.

The Liebert® STS2™ contains two static transfer switches in one enclosure to allow the unit to transfer its load between the two input sources without an interruption of power to the load longer than 1/4 cycle when utilizing the standard transfer algorithm. When utilizing the Optimized transfer option the interruption does not exceed the ITIC/CBEMA standard.

If a problem is detected with a primary (*Preferred*) input source and defined trigger points are reached, the Liebert® STS2™ automatically switches the input to the other (*Alternate*) input source. The Liebert® STS2™ continues to monitor both sources and can automatically transfer the load back to the preferred source, if so configured, when that source returns to acceptable operating parameters.

The system control logic automatically monitors the input sources and power output to ensure that they are operating within acceptable tolerances. The system logic manages the transfer between sources.

The Liebert® STS2™ front panel contains either a Color Graphical Display on an LCD touchscreen or an LED display.

The Color Graphical Display provides a menu-driven operator interface, and a display of system information, status information, a one-line diagram (*Mimic*) of the Liebert® STS2™, active alarms, and alarm history information.

The menu selections provide control of the preferred source and manual transfer initiation. Buttons provide for audible alarm silence and reset.

Through the touchscreen, specific voltage, current and environmental parameters can be configured to trigger events that can sound an alarm, write to a history log and either transfer sources or inhibit a transfer.

In units not equipped with the touchscreen, LED's provide the user with the ability to monitor the Liebert® STS2™ and quickly assess problems.

Preferred input source selection, alarm reset and alarm silencing are done through buttons on the touchscreen, or push buttons with the LED display.

Communication options can be installed in the Color Graphical Display (LCD) unit only. These options provide external communication with the Liebert® STS2™ through a network card, a programmable relay board, a contact isolator, or an RS-422 port to Liebert® SiteScan®.

8.1.1 Redundancy

Redundancy within the Liebert® STS2™ prevents one component from being a single point of failure, should a problem occur. Redundant circuits and components are used to eliminate single points of failure.

Since the Liebert® STS2™ has two input sources, no single component failure can cause a loss of power to the load. Redundant power supplies are provided which feed a DC dual-bus used throughout the unit to prevent any single-point power supply failure modes.

Three separate redundant control logic modules are built into the system. Each contains the logic necessary to run the Liebert® STS2™, and control all transfers.

Redundant fans are provided if a primary fan fails. The redundant fans turn On to prevent overheating inside of the unit.

Should the front panel interface fail, either touchscreen or LED's, the control logic continues to operate and the unit would transfer should a problem be detected on the preferred source. Information on the monitoring parameters would be available through the remote communication options, if available, or the DB9 (RS-232) connector located next to the LCD display behind the front door. See **Figure 26** on page 41 for details.

8.1.2 Reliability and Agency Requirements

The Liebert® STS2™ is designed for high reliability and high availability with a critical bus Mean Time Between Failure (MTBF) exceeding 1,000,000 hours.

The Liebert® STS2™, Control/Power Module and all its options are designed, tested and certified, where applicable, to meet agency requirements as follows:

- UL 1008: Transfer Switch Equipment, for UL and ULc listing
- NEC
- FCC Part 15 EMI emission limits for Class A computing devices.

The Liebert® STS2™ uses conservatively rated components, minimizing the need to go to maintenance bypass. All maintenance and repair work can be done through the front panel of the unit. This access makes repairs and maintenance easier.

Gating and control logic are partitioned so that failure of one source's gating or sensing logic does not prevent the switch from transferring to the other source.

All control and logic components are mounted separate from the power components. The Liebert® STS2™ is designed to minimize the exposure of hazardous voltages to allow safe servicing of the unit while the load is energized.

All electrical components requiring normal maintenance are replaceable without de-energizing the load, as long as one source is available. Solid-state switching devices are packaged to allow safe repair of those devices without having to de-energize the load. All non-automatic switches or circuit breakers are the plug-in or draw-out type to allow replacement without de-energizing the load. All solid-state power switching devices are rated to prevent hazardous device failure in power systems with available fault currents up to the defined limits, as listed in **15.1.5 - Electrical Requirements**.

8.1.3 Factory Backup and Service Assistance

Because improper installation can cause a system to fail, a Vertiv™ technician should inspect the unit to ensure that it is properly installed and that its operating parameters are properly configured.

Once the Liebert® STS2™ is properly installed, you, as the on-site operator, can easily monitor the unit's operation utilizing the touchscreen or LED's.

If you need assistance, or have questions, contact Vertiv™ at 800-543-2378.

8.2 Modes of Operation

8.2.1 Normal (Preferred Source)

Under normal operating conditions, the Liebert® STS2™ routes power from the preferred input source to the output load. The unit monitors the voltage current and phase of each source to

ensure that both are operating within set tolerances, and that the alternate source is available, should a transfer be required

8.2.2 Transfer

Should the preferred source fail or be outside acceptable voltage limits, the Liebert® STS2™ transfers the input to the alternate source until the problem is rectified in the preferred source. The unit can be set to automatically transfer the input back to the preferred source, or only allow the transfer to be done manually.

8.2.3 Transfer Inhibit

For a transfer to be completed between input sources, the sources must meet certain parameters, or the transfer cannot take place. Uninterrupted transfer between sources is inhibited due to input source failure, sources out of sync, switch failure, or the unit is in bypass mode.

8.2.4 Bypass

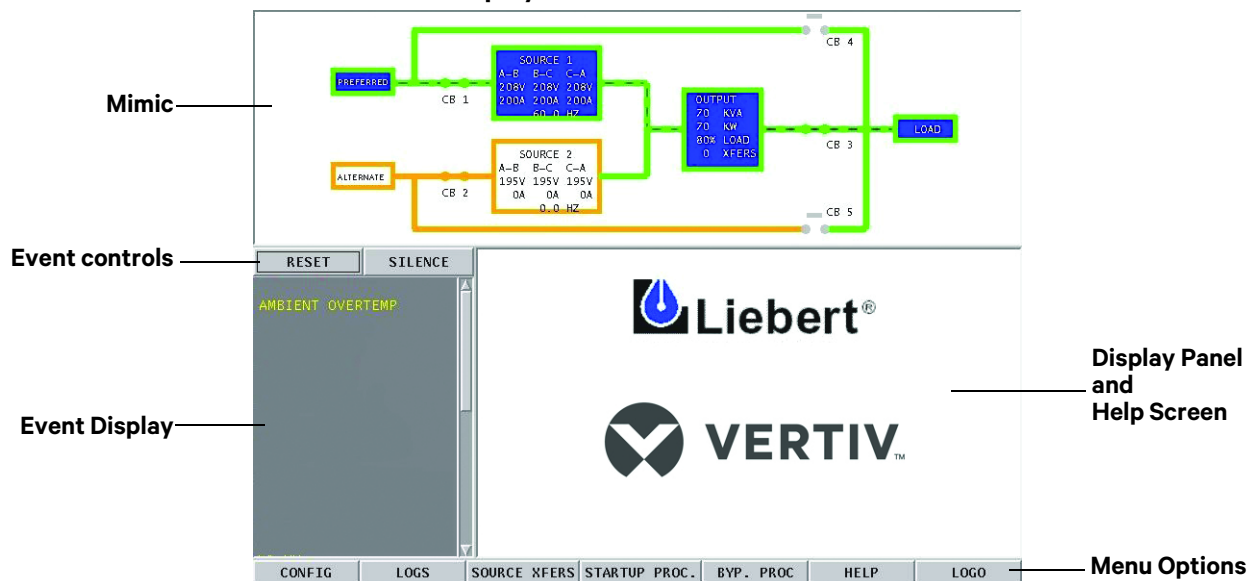
The static transfer switch can be manually bypassed to allow the power from a source to directly flow to the output load. This bypass allows the unit's electronics to be serviced without dangerous voltages being present.

The Liebert® STS2™ includes key-interlocked maintenance bypass breakers that allow either input source's electronics to be bypassed for maintenance without interruption of power to the load. The maintenance bypass allows all electronics to be isolated from the input, output, and bypass connections. Bypass instructions are available from the touchscreen and are discussed later in this manual.

8.3 Operator Controls

The Liebert® STS2™ is equipped with an interface to configure and monitor the unit either locally or remotely. The Color Graphical Display is a touchscreen LCD that provides a color diagram (Mimic) that displays the current status of the unit. System parameters are displayed and help is available to define events. See **Figure 41**. The touchscreen menus allow the operator to initiate source transfers, view event and history logs, and view bypass and other operational instructions.

Figure 41 Liebert® STS2™ touchscreen display



Touchscreen control buttons allow you to reset alarms, silence the audible alarm, review configurations, event and history logs, preferred source, startup and bypass procedures, and the help menu. Qualified personnel, with a password, can use these menus to configure parameters, select a preferred source and do manual source transfers.

LED display units do not have the color LCD touchscreen. Instead of the touchscreen, these units are monitored by a series of LED's and controlled by a series of push buttons.

Both units can be accessed from a terminal, or a PC running terminal emulation software, that is attached to the unit. Through the RS-232 access, you can monitor and configure the unit, plus remotely select a preferred source. See **12.1 - Using the RS-232 Port** on page 79 for instructions on using the RS-232 interface.

9.0 THEORY OF OPERATION

9.1 General Description

The Liebert® STS2™ contains all the equipment necessary to prevent an interruption in power flow to the AC load, should your primary source fail.

9.1.1 Liebert® STS2™ Static Transfer Switch

The Liebert® STS2™ is a 3-pole, double-throw, solid state automatic transfer switch that is fed from two sources. The *Preferred* source is the input source that normally carries the load when both sources are available. The preferred source is selectable by the user from the LCD panel or an optional Remote Source Selection. The unselected source is referred to as the *Alternate* source and carries the load if the preferred source should fail or if a manual transfer is initiated.

The unit uses Silicon Controlled Rectifiers (SCRs) connected in parallel, opposing pairs to function as an AC switch configuration. Three pairs of SCRs connect the AC load to the selected preferred input source as long as the preferred source is available. A second set of SCRs stands ready to transfer the AC load to the alternate input source should the preferred source fail. The switching action is a very fast, break-before-make without an interruption of power to the load longer than 1/4 cycle when utilizing the standard transfer algorithm. When utilizing the Optimized transfer option the interruption does not exceed the ITIC/CBEMA standard.

During static switch transfers and retransfers, the conduction state of the SCRs is carefully monitored and controlled to prevent a current path from one source to the other. This technique prevents a faulted source from feeding into the other good source.

9.1.2 Source Transfer

The Liebert® STS2™ allows manually initiated transfers between the two sources. On units without the Optimized Transfer option the alternate source must be within acceptable voltage limits and phase tolerances with the preferred source. You begin a manual transfer by selecting the inactive source as the preferred source. On a manual transfer, the Liebert® STS2™ transfers between the two sources with less than one (1) millisecond interruption of power to the load. The transfer can only be completed when both sources are available and synchronized within the user-adjustable phase synchronization window. For sources where the two frequencies are not exactly in phase, manually initiated transfers are delayed by the Liebert® STS2™ until the two sources are within the defined phase synchronization window.

The Liebert® STS2™ with Optimized Transfer option allows manually initiated transfer at any phase difference and does not require synchronization, as long as the alternate source is within acceptable voltage limits with the preferred source. Transfer is not delayed if the two frequencies are not in phase. When Optimized Transfer is enabled, the out-of-sync alarm is NOT active.

Source selection can also be done remotely using the Remote Source Selection option, if installed.

9.1.3 Automatic Transfer/Retransfer

If the preferred source is out of voltage and/or frequency limits, the load is automatically transferred to the alternate source. The default transfer voltage limits comply with the limits of the IEEE Std. 446-1995 computer voltage tolerance envelope.

If the unit is so configured, the load is retransferred automatically to the preferred source after the preferred source returns to within the acceptable voltage and frequency limits for at least the defined retransfer time delay, and is in phase with the alternate source. You can enable and disable automatic retransfer to the preferred source through a user configuration setting.

Automatic Retransfer Inhibited

If the system makes five transfers from the preferred source to the alternate source in a five minute period, automatic retransfers back to the preferred source is disabled.

To clear this alarm condition, you must assign the alternate source as the preferred source.

Also, the UV detection thresholds may need adjustment. See **Source Set Points on page 94** for instructions on setting the UV detection.

This alarm also is cleared if the unit transfers to the preferred source due to an alternate source AC volt failure (i.e., an emergency transfer.)

9.1.4 Emergency Transfer

To ensure that power remains connected to the load, the Liebert® STS2™ automatically performs an emergency transfer from one input source to the other when an outage occurs on the existing source. The automatic transfer takes place if the other source's voltage is within acceptable limits, and regardless of the phase difference between the two sources.

Emergency transfers occur without an interruption of power to the load longer than 1/4 cycle when utilizing the standard transfer algorithm. When utilizing the Optimized transfer option the interruption does not exceed the ITIC/CBEMA standard.

Emergency transfers from the alternate source to the preferred source are not affected by the Auto Retransfer Enabled/Disabled or Retransfer Delay user settings.

9.1.5 Load Current Transfer Inhibit

The Liebert® STS2™ senses the load current. If the load current exceeds the preset level deemed to represent a load inrush or fault condition, the unit's logic disables manual and automatic transfers, even if the selected source's input voltage is outside the acceptable limits. This event triggers an I-Peak alarm. If so configured, the Load Current Transfer Inhibit is automatically reset 100 milliseconds after the current and voltage return to within normal parameters. This reset provides continued protection against a source failure. The Load Current Transfer Inhibit also can be programmed to require a manual reset. See **Step 14.** on page 96 under the **Source Set Points** heading for details. Only under open SCR condition would the Liebert® STS2™ automatically transfer with an IPeak condition.

9.1.6 SCR Failure

The Liebert® STS2™ continuously monitors the status of the SCR switching devices for proper operation. In the event of a shorted SCR on the input source powering the load, the Liebert® STS2™ automatically triggers an alarm and trips open the other source isolation breaker. In the event of a shorted SCR on the other input source, the Liebert® STS2™ automatically triggers an alarm and trips open the other source isolation breaker.

In the event of an open SCR, the switch automatically triggers an alarm and transfers the load to the other source. All open and shorted SCR alarm conditions are latched and require the system to be repaired and reset to restore normal operation.

9.1.7 On/Off Sequence

The Liebert® STS2™ contains no master On/Off push button control. When connected to the input sources, the unit's logic power comes On automatically. The touchscreen display (if so equipped) is active as long as at least one input source is energized and the Control Power Disconnect (located inside the static switch) is On.

9.2 Detailed Component Description

9.2.1 Controls

Operator Interface

The Liebert® STS2™ Color Graphical Display unit contains a touchscreen color LCD to provide the operator interface to control and configure the operation of the unit and quickly diagnose problems. A password and an optional keylock, if installed, are provided for security.

The LED Display unit includes push buttons for source transfer, alarm reset and audible alarm silence.

Hardware

- The Liebert® STS2™ operator interface in the Color Graphical Display unit is designed to provide all of the information required to configure and monitor the unit's operation.
- The control logic performs automatic operations with minimal operator interface.
- Each Liebert® STS2™ unit is equipped with either a color LCD touchscreen or a panel of LED's and push buttons.
- The Liebert® STS2™ can have optional communication ports installed. See **6.0 - OPTIONS** and **12.0 - COMMUNICATION INTERFACES** on page 79 for more information on communication options.
- On LED Display units, the RS-232 interface is used for configuration and status and event log monitoring. The RS-232 interface can also be used with the Color Graphical Display units, if necessary.

Firmware

The operator interface enables you to monitor the Liebert® STS2™, to configure set points for transfers, monitor system parameters and access event and history logs. The firmware is accessible through the LCD touchscreen (if installed) or the RS-232 interface. The firmware includes:

- View and set the preferred source.
- View and configure setpoints.
- View alarms, faults and status.

Additionally, the Color Graphical Display unit provides:

- The mimic graphical representation of the systems operation.
- Menu driven monitoring and configuration.
- Step-by-step instructions to assist you in the startup, shutdown and bypass operations.
- Help on event messages.
- Touchscreen alarm reset and silence buttons.

Events in the system, both faults and alarms, are detected and displayed on the LCD. See **11.0 - ALARM AND FAULTS** on page 73 for more information on events.

- A set of event masks can be configured through the LCD to trigger a system response to an event. See **11.1 - Event Mask**.
- Report event conditions from other components of the system.
- Monitor and report changes in event condition states. If the event condition's state changes from *inactive* to *active*, a new event is detected. If the transition is from *active* to *inactive*, the event condition has cleared.
- Process new faults and alarms, and clear inactive alarms.
- Provide the alarm reset and silence options.

9.2.2 Circuit Breakers

Three circuit breakers provide total isolation of the solid-state switching devices with an input breaker for each source and a load isolation breaker. Two breakers provide for maintenance bypassing of the solid-state switching devices to either input source.

All switches in the Liebert® STS2™ are plug-in types, which allows any switch to be replaced without de-energizing the output bus. The breakers have an interlock in the plug-in base, which prevents the switch from being withdrawn in the CLOSED position. The switch trips OPEN before it disconnects from the plug-in base.

See **15.2.5 - Circuit Breakers** for specifications and more information pertaining to the circuit breakers. See **Figure 13** to **Figure 18** for circuit breaker locations. See submittal PS214-002 for the circuit breaker schedule .

9.2.3 SCR's

The unit uses brick-type SCRs rated to carry the full load. Because the unit is a fuseless design with non-automatic circuit breakers, overcurrent protection is provided by upstream circuit breakers.

9.2.4 Logic Modules

The logic contains three separate redundant logic modules. Each module contains the logic necessary to run the Liebert® STS2™ and control transfers and shunt trips under all circumstances, without any outside assistance, once set up and started properly.

9.2.5 Audible Alarm

An audible alarm is installed on the control board. This alarm is triggered by an alarm condition detected on the unit. The alarm can be turned Off from the touchscreen (Color Graphical Display units) or by a push button (LED Display units). Turning Off the audible alarm does not clear or reset the condition that triggered the alarm.

9.2.6 RS-232 Port

An RS-232 serial port is provided to allow an external terminal to be connected as another user interface. See **12.1 - Using the RS-232 Port** on page 79 for more information on using the RS-232 port.

10.0 OPERATING INSTRUCTIONS FOR THE TOUCHSCREEN INTERFACE



CAUTION

Before the unit is placed into service for the first time, after equipment relocation, or after the equipment has been de-energized for an extended period of time, a thorough equipment inspection and supervised startup by qualified personnel are strongly recommended. Contact your local Vertiv™ representative or Vertiv™ at 800-543-2378 to arrange for equipment inspection and startup.

After the initial equipment startup, the following operating guidelines can be used for standard equipment operation. These guidelines should be reviewed for any special equipment modifications, special site conditions, or company policies that may require changes to the standard equipment operation.

All programmable functions are preset at the factory to enable the unit to be brought up without the need to enter all selectable parameters.

This section refers to the LCD touchscreen display. This display is discussed in more detail later in the manual. See **13.0 - LIEBERT® STS2™ TOUCHSCREEN DISPLAY**.



NOTE

*If the front panel of your Liebert® STS2™ has LED's and push buttons instead of the touchscreen interface, refer to **14.0 - OPERATING THE LIEBERT® STS2™ LED DISPLAY** for operating instructions.*

See **Figures 13 - 18** for circuit breaker locations.

10.1 Normal System Startup



NOTE

*If your Liebert® STS2™ is connected to a PDU with a Wye configuration, enable the Wye Output Transformer before starting the system. This setting can be made from the touchscreen. Refer to **Wye Output Transformer on page 103** for instructions.*

1. Ensure that all Liebert® STS2™ breakers—CB1, CB2, CB3, CB3A (if supplied), CB4, and CB5—are in the OFF position.
 - a. Ensure that the key interlocks for CB1 and CB2 have their bolts retracted.
 - b. Ensure that the key interlocks for CB4 and CB5 have their bolts extended, thus preventing CB4 or CB5 from being turned ON.
2. Source/input power should be applied to both Liebert® STS2™ inputs. The touchscreen control panel should become active and operate properly when at least one of the inputs is energized is closed.
3. Verify that nominal input voltages are applied to both inputs (Source 1 and Source 2). The input voltages, selected preferred source, breaker and switch status, and alarms are indicated on the Mimic screen.
4. Close CB1.
5. Verify that Source 1 voltages are nominal and CB1 breaker status is correctly indicated on the Monitor/Mimic screen.
6. Close CB2.
7. Verify that Source 2 voltages are nominal and CB2 breaker status is correctly indicated on the Mimic screen.
8. Verify that boxes for the preferred source and corresponding static transfer switch are highlighted on the Mimic screen, indicating which side of the Liebert® STS2™ is on.
9. Close Output Breaker CB3 (and CB3A in redundant output configurations).
10. Verify CB3, the Output box, and the Load box are highlighted, indicating that CB3 is closed and the Output and Load are energized.



NOTE

For redundant output switch units, CB3 descriptions apply to CB3 and CB3A.

11. Press the RESET button on the touchscreen to reset any previous alarms.
12. Verify in the Event Display and the Mimic that there are no active alarms. If any active alarms are displayed, refer to **11.0 - ALARM AND FAULTS** for a description of the alarms and possible causes. All active alarm conditions should be corrected before proceeding.
13. Turn On the load equipment following the load equipment manufacturer's recommendations.

10.2 Manual Transfer / Preferred Source Selection

The Source Transfer option (Source Xfers) in the touchscreen menu allows you to select a preferred source. Transfers are only permitted when the voltage and current are within their proper operating range and the sources are synchronized on units without Optimized Transfer. Units with the Optimized Transfer option do not require the sources to be synchronized to make a manual transfer. The Source Transfer screen indicates the synchronization between the two sources, while the voltage and frequency are displayed on the Mimic. See **Figure 42**. Transfer is

inhibited if the deviation exceeds the parameter set in the Source Set Points. See **User Settings on page 93**

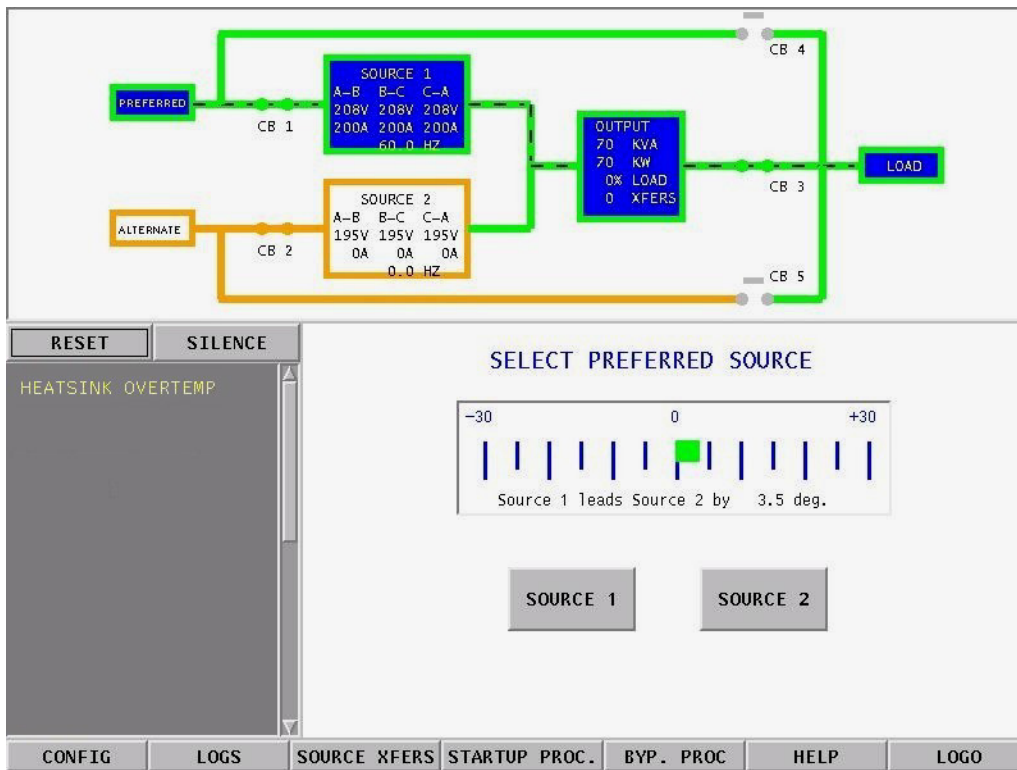


NOTE

*If one source will be de-energized for an extended period (hours or days), set the unit to bypass mode for the remaining source. Without using bypass, if a failure occurs in the switch components for remaining source, the Liebert® STS2™ does not have a second source to switch to and the load would not receive power. See **Maintenance Bypass on page 68** for bypass instructions.*

If your system contains the LED front panel instead of the LCD touchscreen, refer to **14.2.2 - Manual Transfer / Preferred Source Selection** for instructions on this procedure.

Figure 42 Source transfer screen



To manually select the preferred source:

1. Verify that the input breakers CB1 and CB2 are closed.
2. Select SOURCE XFERS from the menu bar.

The Select Preferred Source screen is displayed in the Event Display.

3. Check the Mimic to verify that Source 1 and Source 2 input voltages are correct.
4. Select SOURCE 1 or SOURCE 2 as your preferred source.

When conditions are correct, the switch transfers the load to the alternate source by selecting the alternate source as the preferred source.

This source is now monitored as the preferred source throughout the various configurations set up through the touchscreen.

5. Verify that the correct source is designated as the preferred source and that the input source changes to the desired source.

The Mimic is updated to indicate the new preferred source. The source is now highlighted with blue and that source is labeled as the preferred source.

If the Transfer Inhibit message is displayed, check for alarm messages on the Active Status window. Correct alarm conditions before attempting a source transfer.

**NOTE**

The preferred source may also be changed via the optional Remote Source Selection option, thereby initiating a transfer remotely.

10.3 Enabling Remote Source Selection

If your system is equipped with the optional Remote Source Selection option, it must be enabled.

If your system includes the Color Graphical Display:

1. Select CONFIG from the menu bar.
2. Select SYSTEM SETTINGS from the Configuration menu.
3. Select SYSTEM OPTIONS from the System Settings menu.
4. Select YES for the REMOTE SOURCE SELECT choice.

If your system contains the LED display or you are configuring the system from the RS-232 port, see **12.1 - Using the RS-232 Port** on page 79 for instructions on using that interface.

10.4 Maintenance Bypass

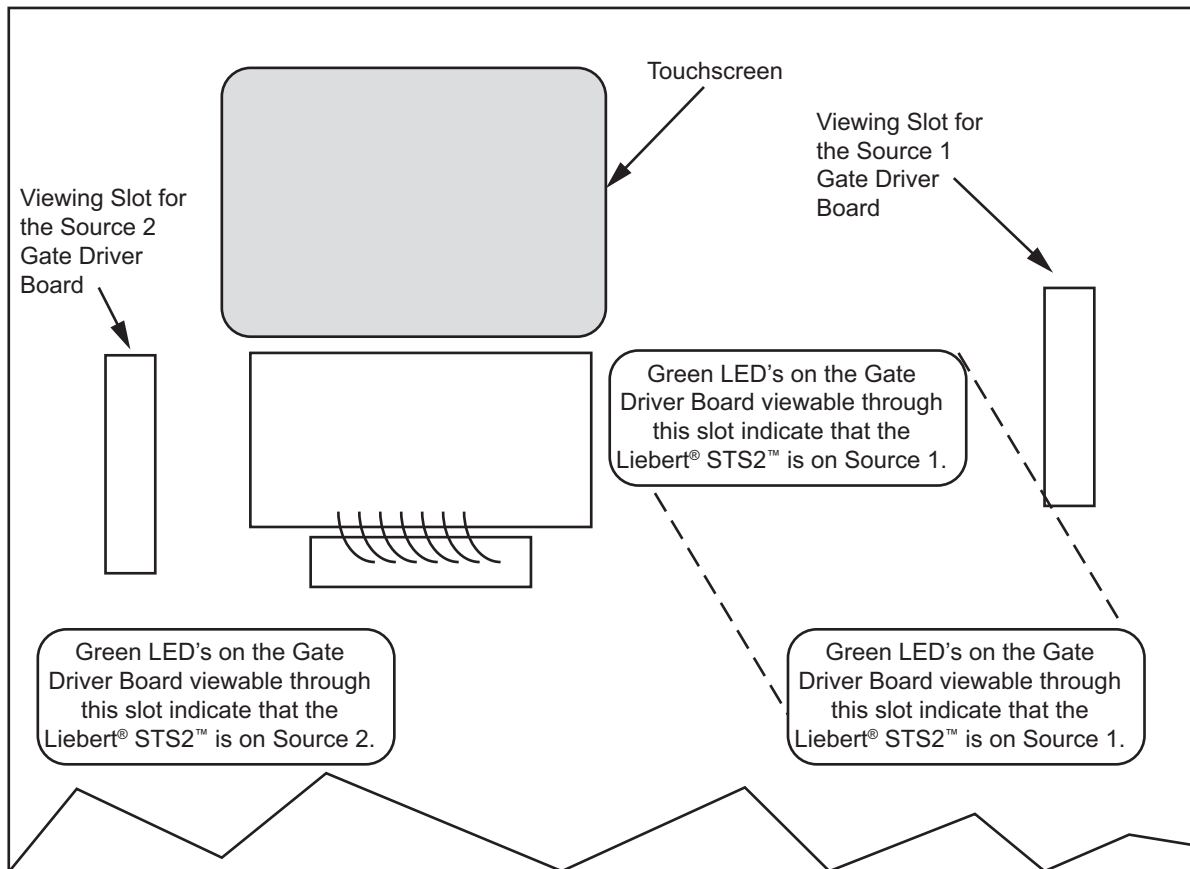
The Liebert® STS2™ is equipped with two key-interlocked, bypass breakers, CB4 and CB5, to allow manual bypass of the switch electronics for either input source in the event of switch failure or for maintenance of the switch. Refer to the static transfer switch one-line diagram (**Figure 2**). While operating on maintenance bypass, all voltages are removed from the Liebert® STS2™ electronics to facilitate safe repair, without de-energizing the load using a make-before-break switching sequence.

However, the unit can be bypassed using a make-before-break switching sequence only to the same source to which that the switch is connected, as indicated by the highlighted static transfer switch box on the Mimic screen.

In the event of source or switch failure, the unit should be bypassed only to the current input source. For convenience, instructions for the bypass procedure can be displayed on the touchscreen by selecting the BYP. PROC option from the menu bar.

The Mimic is used to verify the status of the unit during the bypass procedures. In the unlikely event that the Color Graphical Display is not available, open the front door and look through the slots in the control door. If you can see green LED's on the gate driver board through that slot, then the unit is connected to the source referenced on the label below that slot. See **Figure 43**.

Figure 43 Gate board viewing slot locations



If the Color Graphical Display is not available, you can still use the following bypass procedures, ignoring the steps to check the display and check the LED's.

If your system contains the LED display, see **14.2.3 - Maintenance Bypass**.

10.4.1 Bypass Procedures for Source 1

To bypass the switch for Source 1:



NOTE

*To bypass the Source 1 static transfer switch when Source 2 is presently active, you must first transfer to Source 1. See **Manual Transfer / Preferred Source Selection on page 65**.*

1. Verify that Source 1 is supplying power via the Mimic.
 - If the Color Graphical Display is not available, check the gate driver board LED's through the slots in the control panel. See **Figure 43**.
2. Remove the interlock key from CB5 and place it in the CB4 interlock.
3. Open the alternate source input breaker CB2.
4. Rotate and remove the CB2 interlock key.
5. Insert the key in the CB4 bypass breaker interlock.
6. Rotate the interlock keys in the CB4 bypass breaker interlock to retract the interlock.
7. Close bypass breaker CB4.
8. Verify the breaker status on the Mimic screen.
9. Open source input breaker CB1.
10. Rotate the CB1 interlock key and remove it to lock out the breaker.
11. Secure the key according to your site's lockout/tagout procedure.
12. Open output breakers CB3 and CB3A (if supplied) to remove power and isolate the static switch from the load.

To return to normal mode:

1. Insert the key in the CB1 breaker interlock.
2. Rotate the key to retract the interlock.
3. Close source input breaker CB1.
4. Verify Source 1 and CB1 breaker status on the Mimic screen.
5. Select the SOURCE 1 button in the SOURCE XFERS menu.
6. Close output breakers CB3 and CB3A (if supplied).
7. Verify CB3 and CB3A breaker status.
8. Verify that STS SOURCE 1 and OUTPUT boxes are highlighted on the Mimic screen.
9. Open bypass breaker CB4.
10. Rotate the keys in the CB4 interlock to extend the interlock.
11. Remove the proper key from the CB4 interlock and insert it in the CB2 breaker interlock.
12. Rotate the key to retract the CB2 breaker interlock.
13. Close source input breaker CB2.
14. Verify the STS SOURCE 2 box and CB2 breaker status on the Mimic screen.
 - If the Color Graphical Display is not available, check the gate driver board LED's through the slots in the control panel. See **Figure 43**.

10.4.2 Bypass Procedures for Source 2

To bypass the switch for Source 2:



NOTE

*To bypass the Source 2 static transfer switch when Source 1 is active, you must first transfer to Source 2. See **Manual Transfer / Preferred Source Selection on page 65**.*

1. Check the Mimic to verify that Source 2 is supplying power.
If the Color Graphical Display is not available, check the gate driver board LED's through the slots in the control panel. See **Figure 43**.
2. Remove the interlock key from CB4 and place it in the CB5 interlock.
3. Open the alternate source input breaker CB1.
4. Rotate and remove the CB1 interlock key.
5. Insert the key in the CB5 bypass breaker interlock.
6. Rotate the interlock keys in the CB5 bypass breaker interlock to retract the interlock.
7. Close bypass breaker CB5.
8. Verify the breaker status on the Mimic screen.
9. Open source input breaker CB2.
10. Rotate the CB2 interlock key and remove it to lock out the breaker.
11. Secure the key according to your site's lockout/tagout procedure.
12. Open output breakers CB3 and CB3A (if supplied) to remove power and isolate the static switch from the load.

To return to normal mode:

1. Insert the key in the CB2 breaker interlock.
2. Rotate the key to retract the interlock.
3. Close source input breaker CB2.
4. Verify Source 2 and CB2 breaker status on the Mimic screen.
5. Select the SOURCE 2 button in the SOURCE XFERS menu.
6. Close output breakers CB3 and CB3A (if supplied).
7. Verify CB3 and CB3A breaker status.
8. Verify that STS SOURCE 2 and OUTPUT boxes are highlighted on the Mimic screen.
9. Open bypass breaker CB5.
10. Rotate the keys in the CB5 interlock to extend the interlock.
11. Remove the proper key from the CB5 interlock and insert it in the CB1 breaker interlock.
12. Rotate the key to retract the CB1 breaker interlock.
13. Close source input breaker CB1.
14. Verify the STS SOURCE 1 box and CB1 breaker status on the Mimic screen.
 - If the Color Graphical Display is not available, check the gate driver board LED's through the slots in the control panel. See **Figure 43**.

10.5 Normal System Shutdown

The Liebert® STS2™ can be shut down from either the static switch mode or the bypass mode.

10.5.1 Shutdown in Static Transfer Switch Mode

When the Liebert® STS2™ is operating on static transfer switch mode (not maintenance bypass mode):

1. Turn Off the load equipment per manufacturer's recommendations.
2. Open CB3 to turn Off the static switch output.
Open CB3A if the static transfer switch has a redundant output configuration.
3. Open the input switches CB1 and CB2.
4. To completely de-energize the unit, turn OFF power to both inputs to the Liebert® STS2™.

10.5.2 Shutdown in Maintenance Bypass Mode

When the Liebert® STS2™ is operating on bypass:

1. Turn Off the load equipment per manufacturer's recommendations.
2. Open the bypass switch (CB4 or CB5) to turn Off the static transfer switch output.
3. To completely de-energize the unit, turn OFF the power to both inputs to the Liebert® STS2™.

11.0 ALARM AND FAULTS

Alarms and faults are events that are triggered when the operation of the Liebert® STS2™ falls outside the defined parameters. These events can also be triggered by: user actions, such as changing configurations, clearing logs, etc.; failed components such as a fan failure, an SCR that is open or closed, etc.; and system status, such as open circuit breakers, load on alternate source, etc. These events can provide a warning or trigger the system to make a change, such as switch sources or the recording of a history log.

The Liebert® STS2™ monitoring system detects and annunciates a comprehensive set of fault and alarm conditions. Faults and alarm messages are can be viewed on the LCD touchscreen or via the RS-232 port.

On the LCD touchscreen, the events are shown in the Status Display panel in the lower left corner of the touchscreen and written to the Event log. You can touch a message to view a definition of an event and a tip for troubleshooting. See **13.0 - LIEBERT® STS2™ TOUCHSCREEN DISPLAY** for more information on the touchscreen.

If you are monitoring the system through the RS-232 port, see **Table 6 - Terminal commands** on page 80 for the commands to view event logs, and alarm and fault lists.

Event actions can be triggered by the settings configured from the Event Masks. See **11.1 - Event Mask** for more information.

Faults — A fault indicates that a component of the Liebert® STS2™ has failed or has been damaged. In the Event Display, faults are indicated in *red*.

Alarms — An alarm is an event caused by a significant abnormal system condition. In the Event Display, alarms are indicated in *yellow*. The setpoints for many of the alarms are configurable through the User Settings. Many alarms clear themselves when the condition is resolved. If an alarm event mask is set to *latch*, the alarm messages remain active until the alarm condition has been corrected and the RESET button is pushed. See **11.1 - Event Mask** for more information on latching.

11.1 Event Mask

The Liebert® STS2™ gathers, processes and reports faults and alarms, collectively referred to below as *events*. The Event Mask dialog box allows you to set the system's response for specific alarms and faults that are generated.

The following mask types are available for each event:

- *Latch* — If a latch is enabled for the selected event, that event remains active even if the originating event condition clears. A latched event may only be cleared by pushing the RESET button (ALRMRST on the LED units).
- *Event Log* — The selected event is date/time stamped and recorded to the Event Log when the event is triggered.
- *Audible* — If the selected event is triggered, an audible beeper or horn is sounded by the Liebert® STS2™. The beeper continues while this event is active or latched, or until the SILENCE button (NOAUD on the LED units) is pushed. This button must be pushed with the ALRMRST button on the LED units.

See **Event Masks on page 92** for instructions on setting the mask type via the touchscreen display. See the **12.1.4 - Setting Event Masks with the Terminal** on page 87 for instructions on configuration using the RS-232 port.

11.2 Event and History Logs

The system tracks events through the Events Log and tracks significant events through the History Logs. These logs allow you to quickly spot trends or diagnose problems that the unit may have had. Both logs are written in nonvolatile memory.

The logs can be accessed from the touchscreen menu or the RS-232 port. See **13.11 - Logs** for more instructions on viewing the logs from the touchscreen. See **Table 6 - Terminal commands** on page 80 for the RS-232 interface commands used to access the logs.

11.2.1 Event Log

The events are tracked in sequence of occurrence. The sequence of occurrence is identified by date, time, and frame number. The last 512 events are stored in a nonvolatile memory and can be viewed from the Event Log.

Event logs wrap, meaning when the log is full, the oldest event is deleted when a new event is written to the log.

The Event Log tracks:

- **#** — the sequence number in which the event occurred since the log was last cleared.
- **Message** — the event that occurred, such as Ambient Overtemp., Source 1 Fail, etc.
- **Type** — either a Fault or Alarm. See **11.0 - ALARM AND FAULTS** on page 73 for further details on these events.
- **ID** — the event identifier.
- **Date and Time** — when the event occurred.
- **Faults** — the number of fault events logged.
- **Alarms** — the number of alarm events logged.
- **User Alarms** — the number of alarm events logged that were triggered by user-created alarms, such as those alarms created with the Input Contact Isolator settings.
- **Total** — the sum of all the events currently logged.

11.2.2 History Log

When a designated major alarm occurs, the History Status buffer is frozen, capturing 64 sequential frames before and after the alarm condition. When the History Status buffer is frozen, a History Log is created.

Two History Logs are available to track major alarms. This log includes the triggering event plus the surrounding events, and the system voltages, currents, frequency, power, source selection and breaker positions at the time of the event. The History Log displays the 64 sequential frames, in 4-millisecond intervals, of the Present Status screens surrounding the event.

If you are viewing the log from the touchscreen, the Mimic and the Event Display show the data that was present as the alarm was triggered. The data is displayed as frames are played.

The History Log allows you to replay the events leading up to the alarm and the events right after the alarm to see the status of the switch at that time and diagnose the cause of the alarm. The History Log is triggered when certain events are tripped that have the Freeze option enabled.

You can run through the frames sequentially. The sequence of the events is identified by date, time, and frame number. The History Log frames are stored in a nonvolatile memory buffer that is continuously overwritten until a designated fault condition occurs. When the fault occurs to trigger a freeze, the History Log stores the next 23 frames, then freezes until it is reset. The History Log then keeps 40 frames before the fault, the frame where the fault occurred, plus the next 23 frames.

The History Log should not be reset until the fault condition that caused the buffer to freeze is reviewed and investigated by a qualified service technician. After the alarm condition has been corrected, the History Log can be cleared.

The History Log has the following fields:

- *Replay Rate* — indicates how long it takes for the replay to play. Use the UP and DOWN buttons to set the time.
- *Status* — the status of the Liebert® STS2™ at the point of the current frame in the replay. The History log has three statuses: *Frozen*, *Not Frozen* and *Retrieving Data*.
- *Critical Event* — The event which triggered this log to be written. The event is indicated in *red* on the bar graph.
- *Frame Number* — the current frame in the replay. A negative number indicates the replay is at a point before the triggering event occurred.

11.3 Alarm Notes

The I-PK on Source 1 and I-PK on Source 2 alarms inhibit automatic transfer due to an overload or load fault. These alarms can be set for either auto or manual alarm reset.

In the auto reset mode, the alarm is reset 100 milliseconds after the load current and source voltage return to normal, and transfers are no longer inhibited. In manual mode, the alarm remains active and transfers are inhibited until the conditions return to normal and the user manually presses the RESET button (ALRMRST button on LED units). In either case, the cause of the Source 1 or Source 2 I-Peak overload should be investigated and resolved (such as by reducing the overload condition or clearing the output fault) before returning the switch to normal operation.

SCR fault events indicate a device failure. The device must be replaced and the system must be restarted for the fault to clear. A shorted SCR automatically trips open a source input switch (CB1 or CB2) to prevent transfers in the event of an SCR failure. The SCR failure must be investigated and repaired before returning the switch to normal operation. Both source input switches must be opened (such as when the unit is placed in maintenance bypass for servicing) before a shorted or open SCR alarm can be reset.

11.4 List of Messages

Table 5 lists available event messages, a definition of the event, and the functions that are activated with the event by default. The functions are indicated as follows:

A — The indicated event activates the Audible alarm.

F — The indicated event triggers a Freeze of the History Log.

L — The indicated event Latches. A latched alarm remains displayed until the alarm condition has cleared and the RESET (ALRMRST) button has been pressed.

E — By default, all faults and alarms are written to the Event Log. Changing this setting is only available for the LED units and is set through the RS-232 port. See **Setting Event Masks with the Terminal on page 87**

All of these functions, except Freeze, can be reconfigured to trigger for each event, using the Event Mask option. See **11.1 - Event Mask** on page 73. The Freeze function is hard-coded and cannot be changed for an event.

If the front panel of your Liebert® STS2™ has LED's and push buttons instead of the touchscreen interface, you can view these messages via the RS-232 port. See **12.1.1 - Connecting and Using a Terminal** on page 80 for the commands to view the event messages on a PC terminal.

An LED is used to indicate the presence of any active fault or alarm. Refer to **14.0 - OPERATING THE LIEBERT® STS2™ LED DISPLAY** for more information about the LED's.

Table 5 Event messages

ID	Alarm Message	Description/Cause	Action
001	S1 SCR SHORT	One or more of the SCRs for Source 1 have shorted and failed.	D, F, A, E
002	S2 SCR SHORT	One or more of the SCRs for Source 2 have shorted and failed.	D, F, A, E
003	S1 SCR OPEN	One or more of the SCRs for Source 1 is open.	D, F, A, E
004	S2 SCR OPEN	One or more of the SCRs for Source 2 is open.	D, F, A, E
005	PRIMARY FAN FAIL	A primary cooling fan has failed and the unit is now being cooled by a secondary fan, which is not monitored.	D, A, E
006	CONTROL MODULE FAIL	Control logic module has failed.	D, A, E
007	PWR SPLY DC A FAIL	Power supply DC bus A has failed.	D, A, E
008	PWR SPLY DC B FAIL	Power supply DC bus B has failed.	D, A, E
009	PWR SPLY S1 AC FAIL	Power supply Source 1 AC has failed.	D, A, E
010	PWR SPLY S2 AC FAIL	Power supply Source 2 AC has failed.	D, A, E
011	PWR SPLY LOGIC FAIL	A power supply module has failed.	D, A, E
012	OUT VOLT SENSE FAIL	The output volt sense module failed	D, A, E
013	S1 VOLT SENSE FAIL	The Source 1 volt sense module failed.	D, A, E
014	S2 VOLT SENSE FAIL	The Source 2 volt sense module failed.	D, A, E
015	S1 SCR SENSE FAIL	The Source 1 SCR sense module failed.	D, A, E
016	S2 SCR SENSE FAIL	The Source 2 SCR sense module failed.	D, A, E
017	S1 CURR SENSE FAIL	The Source 1 SCR current module failed.	D, A, E
018	S2 CURR SENSE FAIL	The Source 2 SCR current module failed.	D, A, E
019	S1 GATE DRIVE FAIL	The Source 1 gate drive module failed.	D, A, E
020	S2 GATE DRIVE FAIL	The Source 2 gate drive module failed.	D, A, E
021	INTERNAL COMM FAIL	Internal CAN communications failed.	D, A, E
022	EXTERNAL COMM FAIL	Options CAN communications failed.	A, E
023	CB1 SHUNT TRIP FAIL	CB1 shunt trip failed.	A, E
024	CB2 SHUNT TRIP FAIL	CB2 shunt trip failed.	D, A, E
064	HEATSINK OVERTEMP	Heatsink has exceeded the recommended temperature.	A, E
067	S1 UV	Source 1 under voltage, fast detection.	A, E
068	S1 UV (RMS)	Source 1 under voltage, slow detection.	L, A, E
069	S1 OV	Source 1 over voltage	A, E
070	S1 OF/UF	Source 1 over frequency/under frequency	A, E
071	S1 FAIL	Source 1 failure.	A, E
072	S2 UV	Source 2 under voltage, fast detection.	A, E
073	S2 UV (RMS)	Source 2 under voltage, slow detection.	A, E
074	S2 OV	Source 2 over voltage.	A, E

Table 5 Event messages (continued)

ID	Alarm Message	Description/Cause	Action
075	S2 OF/UF	Source 2 over frequency/under frequency.	A, E
076	S2 FAIL	Source 2 failure.	A, E
077	S1 OVERCURRENT	Source 1 over current.	A, E
078	S2 OVERCURRENT	Source 2 over current.	A, E
079	S1 I-PEAK	I-PK on Source 1.	A, F, E
080	S2 I-PEAK	I-PK on Source 2.	A, F, E
081	SOURCES OUT OF SYNC	Source 1 and Source 2 are out of synchronization.	A, E
082	LOAD ON ALT SOURCE	The output load is running on the alternate source.	A, E
083	AUTO REXFER INHIBIT	Automatic retransfer is inhibited.	A, E
084	CB1 (S1) OPEN	Source 1, Circuit Breaker 1 is open.	A, E
085	CB2 (S2) OPEN	Source 2, Circuit Breaker 2 is open.	A, E
086	CB4 (S1 BYP) CLOSED	Source 1 on bypass, Circuit Breaker 4 is closed.	A, E
087	CB5 (S2 BYP) CLOSED	Source 2 on bypass, Circuit Breaker 5 is closed.	A, E
088	CB3 (OUTPUT) OPEN	Output circuit breaker (CB3) is open.	A, E
089	CB3A (OUTPUT) OPEN	Output circuit breaker (CB3A) is open.	A, E
090	S1 PHASE ROT ERROR	Source 1 phase rotation error.	A, E
091	S2 PHASE ROT ERROR	Source 2 phase rotation error.	A, E
092	TRANSFER INHIBITED	Transfer inhibited.	A, E
093	OUTPUT UV	Output is under voltage.	D, F, A, E
120 121 122 123 124 125 126 127	INPUT CONTACT #1 INPUT CONTACT #2 INPUT CONTACT #3 INPUT CONTACT #4 INPUT CONTACT #5 INPUT CONTACT #6 INPUT CONTACT #7 INPUT CONTACT #8	Input Contact # x is an optional alarm input. The alarm name can be programmed with an alarm name from the Input Contactor Isolator settings option under the Comm Options. See Configuring the Input Contact Isolator Settings on page 98 . The alarm is sent to Monitor DSP. The LCD logs the alarm with the programmed name. Monitor DSP logs it with the generic name which is how it is reported to the SVT query.	A, E
128	CONFIG MODIFIED	A set point configuration has changed.	A, E
129	PASSWORD CHANGED	The password for touchscreen access has been modified and saved.	A, E
130	TIME REPROGRAMMED	The system's time has been reset and saved.	A, E
131	DATE REPROGRAMMED	The system's date has been reset and saved.	A, E
132	EVENT LOG CLEARED	The event log has been erased.	A, E
133	HIST LOGS CLEARED	Both History Logs have been erased.	A, E
134	HIST LOGS FULL	Both History Logs have been written and no more history logs can be written without clearing one of the logs.	A, E

12.0 COMMUNICATION INTERFACES

The Liebert® STS2™ monitoring system offers several choices for communications.

The RS-232 terminal port is standard on all units. The port is located inside the front door, to the left of the touchscreen/LED front panel mounting as shown in **Figure 26**. This port is primarily used as an alternate user interface to configure, control, and diagnose the system, especially for systems that do not include the HMI touchscreen. Commands for the RS-232 port are shown in **Table 6**.

Several other communications options are also available. Those options are located a Communications compartment to the right of the touchscreen/LED front panel and are accessible when the front panel door is open. See **Figures 19** and **20** for the location of the communications options.

Connections to the communication ports are made by wiring to terminal boards located in the Communications compartment. The communications options listed below reference the control wiring drawing for each option.

- Liebert® IntelliSlot™ Unity-DP™ Card (optional) — the card provides connectivity to any TCP/IP-based Ethernet network to allow the device to communicate with network management systems (NMS) via SNMP/Web(HTTP). Events can be transmitted to the NMS to provide remote status monitoring, plus fault and alarm detection. The card includes an RJ-45 port for an Ethernet connection, via Category 5 cable. The Liebert® IntelliSlot™ Unity-DP™ Card can also integrate the system with an existing Building Management System (BMS) or out-of-band monitoring, using Modbus, a standard multi-drop protocol. The card has redundant communication paths that make it possible to connect to a BMS using Modbus while simultaneously communicating to an NMS through SNMP/Web(HTTP). See **Figure 25** for more information on the Liebert® IntelliSlot™ Unity-DP™ Card. If you have questions about the card, refer to the user guide, SL-52645, available at the Vertiv™ Web site, www.vertivco.com
- Input Contact Isolator (ICI) Board (optional) — provides an interface for up to eight user inputs. External messages and alarms can be routed to the unit, via the ICI. See **Configuring the Input Contact Isolator Settings on page 98** for instructions on configuring the connections. See **Figure 23** for wiring details.
- Programmable Relay Board (PRB) (optional) — up to two PRB's can be installed in the Liebert® STS2™ to route Liebert® STS2™ events to external devices. See **Configuring the Programmable Relay Board Settings on page 99** for default settings and instructions for reconfiguring the relays. See **Figure 22** for wiring details.
- Comms Board (optional) — provides a direct connection to a Liebert® SiteScan® terminal, via an RS-422. Liebert® SiteLink™ -12 or Liebert® SiteLink™ -4 is required for Liebert® SiteScan® to communicate with the Liebert® STS2™. See **Figure 24** for wiring details.

Data link requirements are Full Duplex Asynchronous RS-232 format.

Communications options are also discussed in **6.0 - OPTIONS**.

12.1 Using the RS-232 Port

The RS-232 port is configured with a baud rate of 9600 with 8 data bits, 1 stop bit, no parity, and no hardware handshaking.

12.1.1 Connecting and Using a Terminal

An RS-232 connection can be used to connect the Liebert® STS2™ to either a terminal or a PC running terminal emulation software. If you are unsure of the cable pin out, see **15.2.10 - Terminal Port Connections**.

1. Connect the terminal to the Liebert® STS2™ by plugging the cable from the terminal into the RS-232 port. This connection can be made at any time.
2. After making the connection, verify the communications link by pressing <ENTER> on the terminal keyboard.

The interface communications system responds as indicated below:

```
Repeating command -->
Illegal command!
<?> or <HELP?> displays the RS-232 command set
<?> <command> or <HELP?> <command> displays specific help for the command
SVTP-Control >
```

The SVTP-Control > prompt indicates that RS-232 communications are established.

- If you receive no response or prompt, verify that the connector is properly plugged into the port and the PC or terminal serial interface is working properly.
3. Enter the desired commands, as listed in **Table 6**.

For additional help type <?> <command> or <HELP?> <command>

Refer to the corresponding menu options in **13.0 - LIEBERT® STS2™ TOUCHSCREEN DISPLAY** for more details about the commands.

Some terminal commands require a password to function. Use the PWD command and a valid password to gain access.

Table 6 Terminal commands

Keys	Function
?	Displays this help menu or specific help with a command
AA?	Displays active alarms
AF?	Displays active faults
CEL	Clears the event log
CHL	Clears the history logs
DATE?	Displays current system date
DATE	Sets system date
EL?	Displays the entire event log
HELP?	Displays this help menu or specific help with a command
HLn?	Displays the history log #n, if frozen
LOGOUT	Logs user out of unprotected mode
PS?	Displays the preferred source
PS n	Sets the preferred source to #n
PWD	Allows users to access protected commands
SH	Silences the horn
SPT?	Displays all current setpoints
SPTx	Displays current setpoints for group x. See 12.1.2 - Configuring the Liebert® STS2™ via the Terminal for a description of groups.
SR?	Displays status reports
TIME?	Displays current system time
TIME	Sets system time

Table 6 Terminal commands

Keys	Function
UPMDR?	Displays metering data
VER?	Displays firmware versions

12.1.2 Configuring the Liebert® STS2™ via the Terminal

The SPT command is used to configure the systems setpoints. The SPT syntax for the setpoints consists for four parameters:

SPT [group] [item] [value]

where the parameters are:

- SPT — is the terminal command that is used to configure setpoints.
- group — the group under the setpoint command which contains the desired settings.
- item — the item number within the selected group.
- value — the desired value for this item.

Only the specific options words listed in this section use a hexadecimal value. Other settings, depending on what they are, use other input types. For example, System ID uses a text string, nominal voltages and currents use standard numeric integers.



NOTE

Spaces are placed between each parameter, but not between characters or numbers in a parameter. Using an underline here to represent a space, an example of a the syntax is: SPT_2_6_0081. 0081 is the value parameter.

This section provides instructions for setting these parameters, with an example of building an SPT command for System and User settings.

Groups Parameter

The setpoints are grouped for ease of configuration. For example, Event Masks are Group 4 and System Settings are Group 2. The numbers shown below are entered for the group parameter. For example, start of a System Settings command is *SPT 2*.

The group parameters are:

- 1 = System Ratings
- 2 = System Settings
- 3 = User Settings
- 4 = Event Mask Settings

For example, the start of a System Settings command is *SPT 2*, where SPT is the system setpoints command and 2 is the group parameter for System Settings.

See **12.1.4 - Setting Event Masks with the Terminal** on page 87 for instructions on configuring Event Mask parameters.

Item Parameter

Each setting within the group is indexed by an item number as shown below in **Table 8**. These item numbers are also displayed on the terminal when you list the configuration setting for a particular group.

Continuing with the example, to configure an Options_1 setting under System Settings, the command would begin with *SPT 2 6*

where 6 is the value Options_1. Note the space between each parameter.

Value Parameter

Item settings, depending on what they are, use various value types. **Table 7** provides a list of the possible value types and their description.

Table 7 Value types

Type	Definition
Numeric	An integer numeric value in the units indicated by the item name. For example, a System Voltage Rating of 480 would indicate 480 volts.
Scaled	Similar to the Numeric, this value type is an integer that has been scaled, usually to remove decimal points that would normally appear within the value. In this case, a value of 2.5 may actually be input as simply 25. For all Scaled types, the scaling appears in Table 8 .
String	Certain settings are represented by alphanumeric character strings, such as setting the System Model Number to Liebert® STS2 .
Enumeration	This type uses an indexed list to represent possible choices.
Bit-packed	This type of value uses a <i>hexadecimal binary word</i> , where each of the sixteen <i>bits</i> in the word has the value of 1 (<i>True</i>) or 0 (<i>False</i>). Although somewhat difficult to use, it packs a large amount of data within a single entry. A detailed description of this type appears in section 12.1.3 - Setting Bitpacked Options with the Terminal on page 83.
Event Masks	This type is a specially formatted and is used to customize the behavior of each fault and alarm in the system. See 12.1.4 - Setting Event Masks with the Terminal on page 87 for instructions on configuring Event Mask parameters.

Table 8 shows the various groups, the settings contained within, and the type of value it requires.

Table 8 Group settings and values

Group	Item	Description	Value Type	Value Notes
Group 1: System Ratings	1	Input Volts (PDU)	Integer	Set per system spec.
	2	Volts	Integer	Set per system spec.
	3	Current	Integer	Set per system spec.
	4	Frequency	Scaled	Desired freq. x 10 (600 = 60 Hz)
Group 2: System Settings	1	Language	Enumeration	[Not supported at this time]
	2	System Model Number	String	14 character max.
	3	System ID Number	String	8 character max.
	4	System Tag Number	String	8 character max.
	5	System Order Number	String	8 character max.
	6	Options_1	Bitpacked	14 character max.
	7	Autodial Primary Line	String	20 character max.
	8	Autodial Secondary Line	String	20 character max.
	9	Autodial Pager Number	String	20 character max.
	10	Autodial Pager PIN	String	10 character max.
	15	Comms Options 1	Bitpacked	See section 12.1.3 .
	16	Comms Options 2	Bitpacked	See section 12.1.3 .

Table 8 Group settings and values (continued)

Group	Item	Description	Value Type	Value Notes
Group 3: User Settings	1	SCR1 Fast Undervoltage Setpoint	Integer	In % of nominal below nominal
	2	SCR1 Slow Undervoltage Setpoint	Integer	In % of nominal below nominal
	3	SCR1 Slow Undervoltage Detect Delay	Integer	In number of lines cycles
	4	SCR1 Overvoltage Setpoint	Integer	In % of nominal above nominal
	5	SCR1 Overvoltage Detect Delay	Integer	In 1/4 lines cycles
	6	SCR1 I peak Transfer Setpoint	Integer	x 10
	7	SCR2 Fast Undervoltage Setpoint	Integer	In % of nominal below nominal
	8	SCR2 Slow Undervoltage Setpoint	Integer	In % of nominal below nominal
	9	SCR2 Slow Undervoltage Detect Delay	Integer	In number of lines cycles
	10	SCR2 Overvoltage Setpoint	Integer	In % of nominal above nominal
	11	SCR2 Overvoltage Detect Delay	Integer	In 1/4 lines cycles
	12	SCR2 I peak Transfer Setpoint	Integer	x 10
	13	Max. Transfer Phase Angle	Integer	In degrees
	14	Output Frequency Deviation	Integer	Freq. in Hz x 10
	15	Retransfer Delay Time	Integer	In seconds
	16	Horn Volume	Integer	Range: 1-10
	17	Critical Option Enabling	Bitpacked	See section 12.1.3 .
	18	Non-Critical Option Enabling	Bitpacked	See section 12.1.3 .
Group 4: Event Mask Settings	1 to 63	Event Mask settings for faults	Event Mask	See section 12.1.4 .
	64 to 143	Event Mask settings for alarms	Event Mask	See section 12.1.4 .

12.1.3 Setting Bitpacked Options with the Terminal

Five sets of options and features settings are available through the terminal to control the system operation.

Under System Settings for the SPT command, these items denote which options are INSTALLED:

- 6 — Options_1
- 14 — Comms Options 1
- 15 — Comms Options 2

Under User Settings, for the SPT command, these items denote which features are ENABLED:

- 17 — Critical Option Enabling
- 18 — Non-Critical Option Enabling

The value parameter settings are in the form of a *bit-packed word* (in hexadecimal notation). In other words, each bit indicates a particular setting for the option or feature. The bit assignments for the options and features are as follows:

Options_1

- bit0 — HasDualOutputBreaker
- bit1 — HasPDU
- bit2 — Has4PoleTransferSwitch
- bit3 — HasShuntTrip
- bit4 — HasWyeOutputXfmr
- bit5 — HasExternalPrecisionTimeSource
- bit6 — HasSFA
- bit7 — HasRemoteSourceSelect
- bit8 through bit15 — not used (set to 0)

Comms Options 1

- bit2 — HasNIC
- bit3 — not used (set to 0)
- bit4 — HasSiteScan
- bit5 — not used (set to 0)
- bit6 — not used (set to 0)
- bit7 — HasOpenCommsDigitalInputBrd
- bit8 — HasOpenCommsDigitalOutputBrd_1
- bit9 — HasOpenCommsDigitalOutputBrd_2
- bit10 — HasRemoteStatusPanelBrd_1
- bit11 — not used (set to 0)
- bit12 — not used (set to 0)
- bit13 — not used (set to 0)
- bit14 — EnableDialIn
- bit15 — EnableDialOut

Comms Options 2

- bit0 — EnablePager
- bit1 — EnableOCDINormallyClosed
- bit2-3 — OCDO1Assignment (0=User Defined, 1=Standard Set or 2=AS400)
- bit4-5 — OCDO2Assignment (0=User Defined, 1=Standard Set or 2=AS400)
- bit6 through bit15 — not used (set to 0)

Critical Option Enabling

- bit0—EnableManual_IPeakReset
- bit1—EnableAutoRestart
- bit2 through bit15 - not used (set to 0)

Non-Critical Option Enabling

- bit0 — EnableAutoReXfer
- bit1 through bit15 — not used (set to 0)

The bits are set in reverse order, from bit 15 on the left to bit 0 (zero) on the right. The bits are grouped in four sets of four bits each, as such:

```
0000 0000 0000 0000
|.....|
bit 15.....bit 0
```

Since each bit represents a setting, a bit can be enabled or disabled:

- **1** = installed option or enabled feature
- or -
- **0** = option not installed or feature not enabled

Enabling or disabling the bits in each group creates a binary value for that group. For example, if the fourth bit in a group is set to 1, the group's binary value is 0001.

Each group is translated into a hexadecimal equivalent. The group with the value of 0001 has a hex equivalent of 1.

Use **Table 9** to help with the conversion:

Table 9 Binary-hexadecimal conversions

Binary Value	Hex Equivalent	Binary Value	Hex Equivalent
0000	0	1010	A
0001	1	1011	B
0010	2	1100	C
0011	3	1101	D
0100	4	1110	E
0101	5	1111	F
0110	6		
0111	7		
1000	8		
1001	9		

The hex value for each group is entered in the command as four digits.

To summarize the procedure:

1. Set each bit position.
2. Convert the binary value each group into its hex equivalent.
3. Enter the hex values for each group, in order, into the command for the value parameter.

The following example explains how the conversion is completed.

Putting the Terminal Command Together

For example, a unit only has the Remote Source Selection and Dual-Output Breaker options installed.

Checking the bits list under **Options_1 on page 84**, bits 7 and 0 each must be set to 1 to indicate that these options are installed.

The bit setting is as follows, starting with bit 15 on the left and going down to bit 0:

0000 0000 1000 0001

With the bits combined in groups of four, the binary settings can be translated into hexadecimal values.

The first two groups in the sample equal zero (0). In the third group, 1000 in binary translates to 8 in hex. In the fourth group, 0001 in binary translates to 1 in hex.

In hex this equates to (digits in the value parameter cannot have spaces between them):

0081

So your command to indicate that the Remote Source Selection and the Dual-Output Breaker are installed would be:

SPT 2 6 0081

12.1.4 Setting Event Masks with the Terminal

The event masks can be customized via a terminal. The command SPT4?<ENTER> displays all faults and alarms, along with their associated event masks. A plus sign (+) means that particular event mask is enabled, while a minus sign (-) means that mask is disabled.

Refer to **11.1 - Event Mask** on page 73 for more information on event masks and their associated flags.

Unlike the System and User Settings, mask values are set by designated letters, not hex values. However, as with other RS-232 interface settings, four parameters are passed. See **12.1.2 - Configuring the Liebert® STS2™ via the Terminal** on page 81 for more details about the parameters.

The syntax for configuring event masks is:

SPT 4 ID ±D±L±S±E±A

- SPT — is the terminal command used to configure setpoints.
- 4 — setting (group parameter) for event masks, under System Settings.
- ID — event ID. The ID is the item parameter for this command. The ID numbers for each event are listed with the events in **Table 5** on page 77.
- D,L,S,E,A — the event masks: *Dial*, *Latch*, *Summary*, *Event log*, and *Audible*. The masks are the value parameter for the command.

Each mask type must be preceded by a plus sign (+) to enable it, or a minus sign (-) to disable it.



NOTE

NO spaces are placed between each mask listed above.

Only the mask that is passed (enabled) is applied when the event occurs.

Note that the Summary and Event Log event masks are only configurable for the LED units.

To set the event masks for a particular event:

1. Enter the command. Examples and descriptions are provided below.
2. Press ENTER.

After the new settings are entered, the new results for that event ID are displayed.

Examples of Event Mask Settings

- To latch event #001, S1 SCR SHORT, use SPT 4 1 +L.
- To disable event #128, CONFIG MODIFIED, from sounding the horn, use SPT 4 100 -A.
- To enable event #012, OUT VOLT SENSE FAIL, to Dial and go into the Event Log, use SPT 4 12 +D+E.
- To disable all masks for event #120, INPUT CONTACT #1, use SPT 4 120 -D-L-S-E-A.

To breakdown this syntax for the last example:

- SPT — SVT command
- 4 — group parameter, identifying System Setting group under which the Event Mask settings reside.
- 120 — item parameter. In this command, that is the event ID.
- -D-L-S-E-A — value parameter. In this case, the minus sign (-) disables all masks for the INPUT CONTACT #1 event.

13.0 LIEBERT® STS2™ TOUCHSCREEN DISPLAY

The Liebert® STS2™ can be configured with a Color Graphical LCD touchscreen that allows you to quickly check the status of the unit and identify problems.

A touchscreen LCD is available through the front of the Liebert® STS2™. This screen provides a graphical (Mimic) display of the switch's operation, plus system information including system parameters, alarms and faults.

The LCD provides a color, back-lit touchscreen as a user interface. In addition to the Mimic and the system parameters, the screen provides a series of menus to allow you to configure the Liebert® STS2™, including the control of the preferred source, auto/manual retransfer selection, alarm notification, and other system setpoints. The touchscreen also provides buttons to reset alarms and turn Off audible alarms, such as a horn.

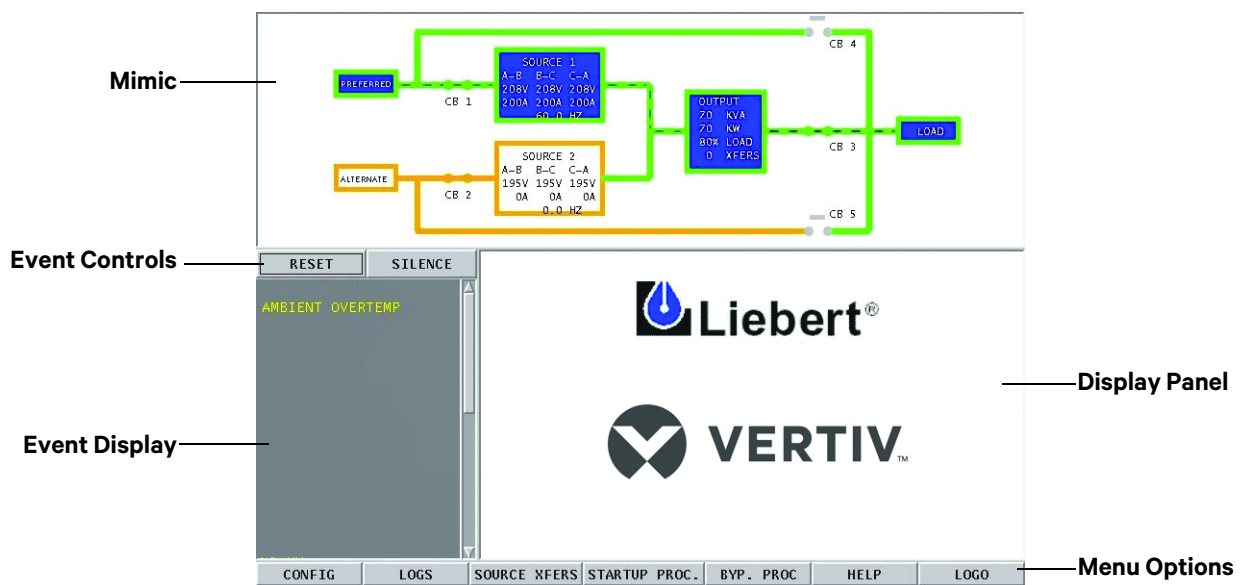
13.1 Display Overview

The Liebert® STS2™ Color Graphical Display provides three areas of information, plus buttons and a series of menu choices.

The Color Graphical Display contains the following features:

- **Mimic** — a graphical diagram of the status of the unit.
- **Event controls** — allow you to reset alarms and turn Off audible alarms.
- **Event Display** — displays any active alarm or fault condition, in real-time.
- **Menus** — provide choices and configuration settings in dialog boxes or information in the display panel.
- **Display panel** — provides additional information, depending on the menu choice that was last selected. This information includes event help text and startup and bypass procedures.

Figure 44 Liebert® STS2™ touchscreen display

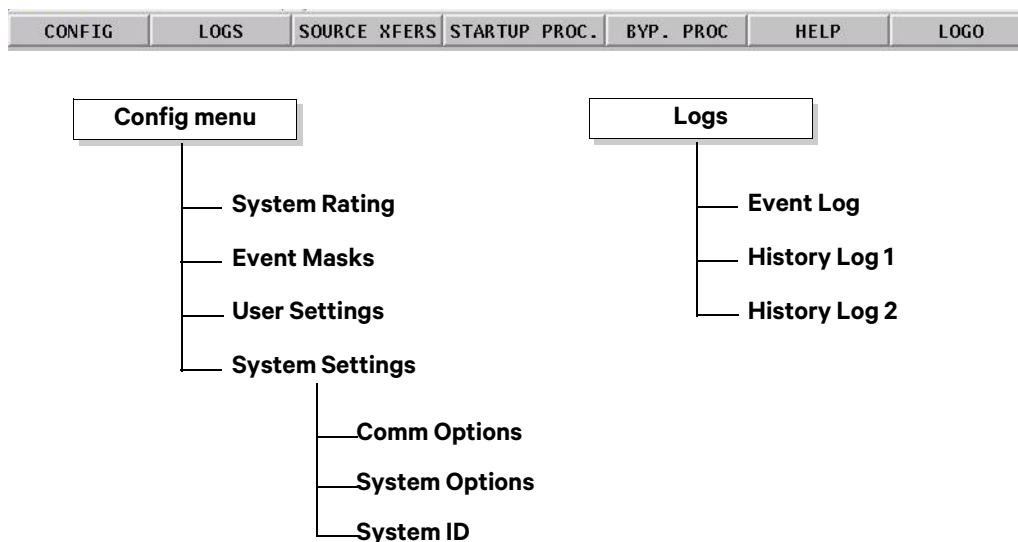


13.2 Menu Overview

The touchscreen menu provides access to configuration settings and more device information. The CONFIG (Configuration) and LOGS menus provide multiple choices through pop-up menus. The SOURCE XFER menu selection allows you to select the preferred source. The other menu choices provide information in the display panel. The menu choices are discussed later in this manual.

All programmable functions are preset at the factory to default settings. These settings enable the unit to be brought up without the need to enter all selectable parameters. The menus allow the settings to be customized.

Figure 45 Menus



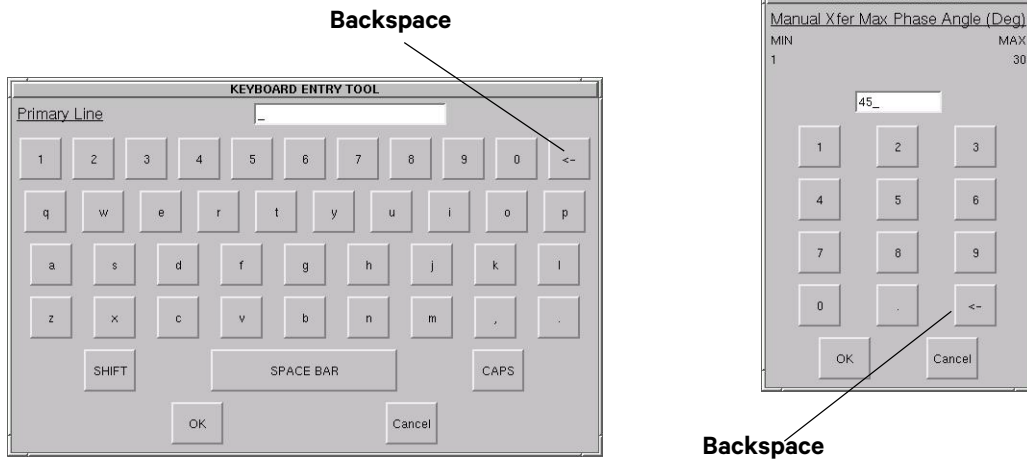
NOTE

Some menu choices display a keyboard or keypad on the touchscreen. Enter data on the touchscreen.

Click OK to save the data that you have entered.

Use the back arrow button (<-) to delete unwanted characters. This button functions like a backspace key on a keyboard.

Figure 46 Keyboard and keypad displays



13.2.1 Security

Because the Liebert® STS2™ Color Graphical Display provides access to various configuration and monitoring choices, a password or key lockout switch may be used to protect access to certain changes, including:

- Change configuration settings.
- Clear logs.
- Make a source transfer.
- Reset an alarm.

Without entering the password or enabling changes with the key lockout switch, you still can:

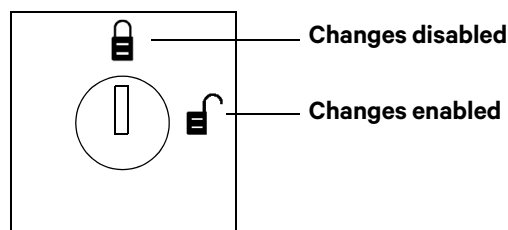
- View the display, including the mimic, status and event help.
- View logs.
- View the startup and bypass procedures.
- Use the SILENCE button to turn Off the audible alarm.

Using the Optional Key Lockout Switch

An optional key lockout switch for the Liebert® STS2™ enables or disables the ability to make changes on the Liebert® STS2™. The key lockout switch is mounted on the front door. See **Figures 7** through **9** for location of the key lockout switch.

- To disable the changes, turn the key to the top of the switch, toward the closed padlock.
- To enable changes turn the key to the horizontal position, toward the open padlock.

Figure 47 Key lockout switch.



Using the Password

If the unit is not equipped with a keylock, a password is required when you attempt to:

- Save changes in the CONFIG menu choices.
- Transfer sources.
- Reset active alarms.
- Clear logs.

When a password is requested, a keyboard is displayed on the touchscreen. After you enter the password, select OK.

The password is case-sensitive. Password access times out after ten (10) minutes, and must be re-entered to save changes. The time-out period cannot be changed.

To set or reset the password:

1. Select SYSTEM SETTINGS from the CONFIG menu.
2. Select SYSTEM ID from the SYSTEM SETTINGS menu.
3. Click PASSWORD.
A keyboard is displayed.
4. Enter a password.
The password must be four (4) alpha-numeric characters and is case sensitive.
5. Click OK.

13.3 Mimic Display

The Mimic display provides a color diagram of the operation of the Liebert® STS2™. This display imitates the power flow through the static transfer switch and indicates source status, breaker status, switch status, source voltage and current readings, output power measurements, and active alarm messages. See **Figure 44** on page 88.

13.4 Event Controls

The Liebert® STS2™ detects events when certain thresholds are passed or certain problems occur. The alarm controls allow you to acknowledge the existence of these events.

- RESET — All latched events whose conditions have cleared are removed from the Event Display. Faults and alarms that remain active, or are not recoverable, are not affected when this button is selected. This button is also used to perform manual I-Peak resets and manual retransfers.
- SILENCE — turns Off the audible alarm (horn or beeper) without resetting the triggering event. This setting does not permanently turn Off the horn. The alarm sounds again when the next event with an audible alarm setting is triggered.

Active events are shown in the Event Display, whereas cleared events can be reviewed via the Event Log.

13.5 Event Display

The Event Display lists the condition of the Liebert® STS2™ in real-time. Both nominal system parameters and alarm messages are displayed in the Event Display. You can touch any message in the Event Display to display more information in the Display Panel to the left. The selected status is displayed in bold type.

13.6 Menu Bar

As previously mentioned, the menu bar provides both configuration choices and information. The choices under the Config and Log menus access additional dialog boxes, while the other menu choices only show information in the display panel.

13.7 Configuration Menu

When you select the CONFIG (Configuration) menu choice, a pop-up menu is displayed with four choices.

- *System Ratings* — used to configure frequency, voltage and currents settings for the Liebert® STS2™.
- *Event Mask* — allows you to configure system's response for events.
- *User Settings* — allows you to configure operations for the Liebert® STS2™.
- *System Settings* — accesses another pop-up menu to configure communication and system choices and the system ID.

Each choice accesses a separate dialog box.



13.7.1 System Ratings

The System Ratings menu is used to set the nominal line frequency, nominal voltage and nominal current at which the system operates when it is installed. These settings are configured when the system is initialized at the factory or under maintenance and should not be changed by the user.

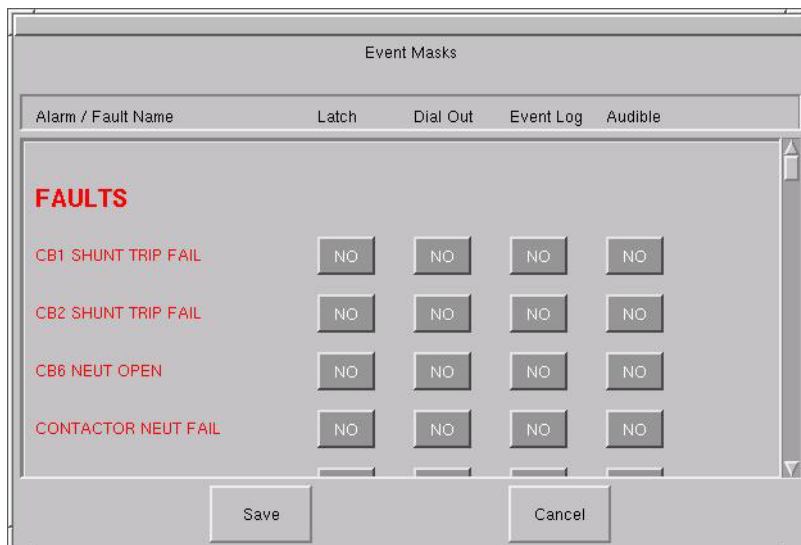
13.7.2 Event Masks

The Liebert® STS2™ gathers, processes and reports faults and alarms, collectively referred to below as *events*. The Event Mask dialog box allows you to set the system's response for specific alarms and faults that are generated. See **11.0 - ALARM AND FAULTS** for more information on events and **11.1 - Event Mask** for the definitions of the Event Mask types.

To set the event masks:

1. Access the Event Mask dialog box:
 - a. Select CONFIG.
 - b. Select EVENT MASK from the pop-up menu.
The Event Mask dialog box is displayed. See **Figure 48**.
2. Select the mask settings for each fault and alarm.
 - a. Select YES to enable the setting,
– or –
 - b. Select NO to disable the setting.
3. Select SAVE to keep the settings.

Figure 48 Event mask dialog box



13.7.3 User Settings

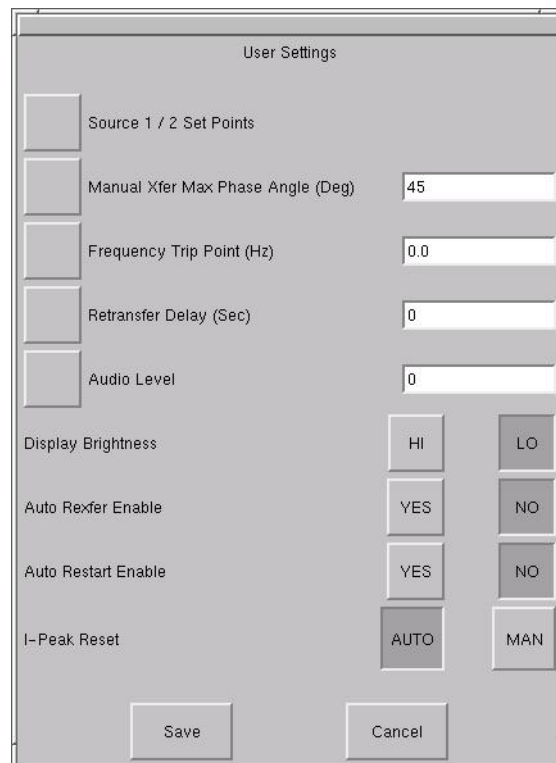
The User Settings choice allows you to adjust the user-accessible switch settings. Access is limited to qualified personnel via system security.

To access the User Settings dialog box:

1. Select CONFIG.
2. Select USER SETTINGS from the pop-up menu.

The User Settings dialog box is displayed. See **Figure 49**. The top six buttons access a series of secondary dialog boxes to configure the various settings.

Figure 49 User settings dialog box



Source Set Points

The Source 1/2 Set Points allows you to configure trigger points for each input source (1 or 2) for the Liebert® STS2™ via a keypad dialog or HI/LO dialog box. The source numbers do not designate the source as the preferred or alternate source. The numbers simply identify the input source. See **10.2 - Manual Transfer / Preferred Source Selection** to set the preferred source.

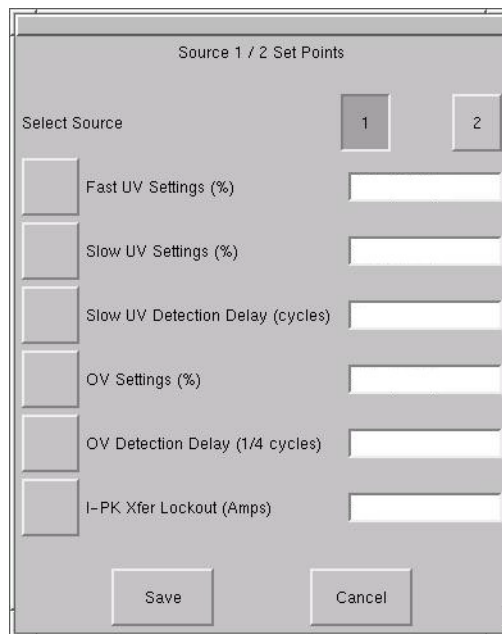
The setpoints are based on values in relation to the nominal voltage required for the Liebert® STS2™. UV refers to *under voltage*, meaning the amount of voltage below the nominal voltage. OV refers to *over voltage*, or the amount of voltage over the nominal voltage.

- *Fast UV Setting (%)* — if the voltage drops below this set percentage of the nominal voltage, the Liebert® STS2™ transfers from the current source to the opposite source.
- *Slow UV Setting (%)* — if the voltage remains this set percentage below the nominal voltage for the period of the slow detection delay, the Liebert® STS2™ transfers from the current source to the opposite source.
- *Slow UV detection delay* — the number of cycles that the source must remain below the Slow UV Setting before the Liebert® STS2™ transfers.
- *OV Setting (%)* — if the voltage exceeds this set percentage of the nominal voltage for the period of the OV detection delay, the Liebert® STS2™ transfers from the current source to the opposite source.
- *OV Detection Delay* — the number of cycles that the source must remain above the OV Setting before the Liebert® STS2™ transfers sources.
- *I-PK Xfer Lockout* — if current from the source exceeds this threshold, the Liebert® STS2™ disables source transfers, and has to be reset either manually or automatically. The type of reset is configured under the User Settings.

To configure the setpoints for each source:

1. Select SOURCE 1/2 Set Points from the User Settings dialog box.
The Source 1/2 Set Points dialog is displayed.

Figure 50 Source setpoints



2. Select **1** to configure the settings for Source 1.
3. Configure the settings using the keypad or dialog box that is displayed when you touch a button.

Table 10 Setpoint parameters

Button	Range	Default	Comments
Fast UV Setting (%)	-10 to -30% of Nominal voltage rating	-20%	Set in increments of 1%.
Slow UV Setting (%)	-5 to -20%	-10%	Set in increments of 1%.
Slow UV detection delay	1-60 cycles	5 cycles	Units: Line Cycle
OV Setting (%)	+5% to +20%	+10%	Set in increments of 1%.
OV Detection Delay	1-255 cycles	3 cycles	Units: 1/4 Line Cycle
I-PK Xfer Lockout	0 – 3.0 multiplied by the unit current rating.	1.5 * Unit Current Rating	I-peak Xfer lockout detection point. Units: Amps RMS. Select the HI or LO buttons to configure your setting.

4. Select **2** for Source 2.
5. Configure the settings, as described in **Step 3**.
6. Select SAVE to keep the settings for both sources.
The Set Points dialog is closed and the User Settings dialog is displayed.
7. Select MANUAL MAX XFER PHASE ANGLE.
A keypad is displayed.
This setting configures the maximum allowed phase difference between the sources and applies to all manual transfers as well as any auto retransfer.
 - a. Configure this setting with a range of ± 1 -30 degrees.
The default setting is ± 15 degrees and the resolution is 1 degree.

- b. Select OK to save the setting.
The setting is now displayed in the adjacent field in the User Settings dialog box.
8. Select FREQUENCY TRIP POINT.
A keypad is displayed.
This choice verifies that the source is running at the proper frequency. This choice sets the frequency deviation in the frequency that triggers the frequency trip point alarm. The frequency deviation setting is the allowable frequency variation from nominal (60.0 or 50.0 Hz) before activating the frequency deviation alarm. The frequency setting applies to both input sources.
 - a. Configure this setting with a range of 0.1 – 3.0 Hz
The default setting is 3 and the resolution is 0.1.
 - b. Select OK to save the setting.
9. Select RETRANSFER DELAY.
A keypad is displayed.
With the secondary source being used, this setting sets the length of time the switch waits until attempting to transfer back to the preferred source.
 - a. Configure this setting with a range of 1 to 60 seconds.
The default setting is three (3) seconds and the resolution is 1 second.
 - b. Select OK to save the setting.
The setting is now displayed in the adjacent field in the User Settings dialog box.
10. Select AUDIO LEVEL.
A dialog box is displayed with HI and LO settings.
This choice sets the loudness of the horn or beeper that is sounded for audible alarms.
 - a. Configure this setting with a range of 1–10 (ten).
The default setting is 5. The settings have an increment of 1 (one).
 - b. Select OK to save the setting.
The setting is now displayed in the adjacent field in the User Settings dialog box.
You can select TEST to briefly sound the alarm to judge its volume.
11. Select DISPLAY BRIGHTNESS.
A dialog box is displayed with HI and LO settings.
This choice sets the brightness for the touchscreen.
 - a. Configure the Contrast and Brightness settings with a range of 1 – 10 (ten).
 - b. Select OK to save the settings.
12. Set the AUTO REXFER ENABLE choice.
The auto retransfer enable setting determines whether the switch automatically returns the preferred source after that source is restored.
 - Select YES to enable the automatic transfer.
 - Select NO to disable the automatic transfer. The setting requires transfers be done manually.
13. Set the AUTO RESTART ENABLE choice.
This setting determines whether the Liebert® STS2™ can be started automatically when power is restored after it has been lost.
 - Select YES to enable the automatic restart.
 - Select NO to disable the automatic restart. This settings requires a manual restart of the Liebert® STS2™.
14. Select a setting for the I-PEAK RESET.
 - Select AUTO to configure the Liebert® STS2™ to automatically reset when a fault clears and the voltage and current are normal.
 - Select MAN to require a manual reset of the Liebert® STS2™ when fault clears and the voltage and current are normal.

- The default setting is Auto.

CAUTION

Risk of equipment damage and personnel injury.

Use of Auto Restart is site specific. Do not enable auto restart unless the infrastructure is designed for unattended operation and there is no chance of equipment or personnel harm by automatic re-energizing of the system.

Consult with your Vertiv™ site engineer as to whether Auto restart should be enabled.

13.7.4 System Settings

The System Settings choice under the Config menu displays another pop-up menu with three choices:

- *Comm Options* (see Section 13.8)
- *System Options* (see Section 13.9)
- *System ID* (see Section 13.10)

To access the System Settings menu:

1. Select CONFIG from the menu bar.
2. Select SYSTEM SETTINGS from the Config menu.

13.8 Comm Options

The Comm Options dialog box allows you to configure the communications settings for the Liebert® STS2™.

- Select COMM OPTIONS from the System Settings Menu. (If needed, see 13.7.4 - System Settings to access the System Settings menu.)

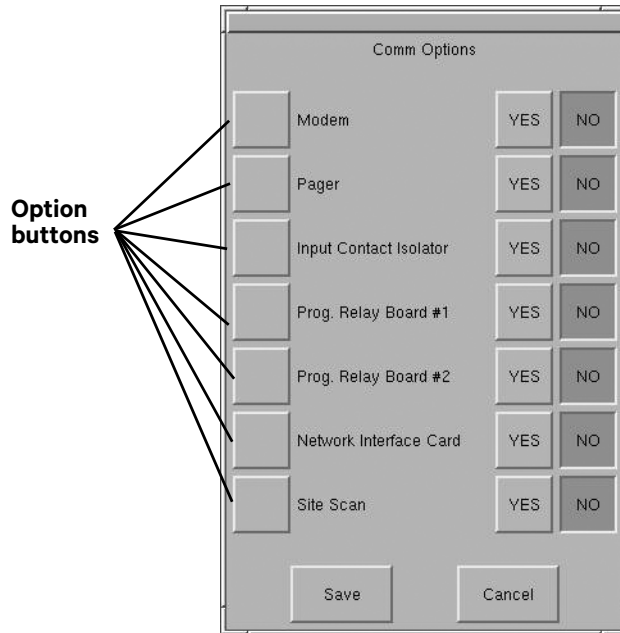
The Comm Options dialog box is displayed. See **Figure 51**.

- An option can be enabled by selecting YES.
- An option can be disabled by selecting NO.
- An option can be configured by selecting the adjacent option button to display a separate configuration dialog box.

The instructions for configuring the communications options are provided in this section:

Option	Refer to:
Input Contact Isolator	13.8.1 - Configuring the Input Contact Isolator Settings
Prog. Relay Board	13.8.2 - Configuring the Programmable Relay Board Settings
Network Interface Card	13.8.3 - Configuring the Liebert® IntelliSlot™ Unity-DP™ Card
Site Scan	13.8.4 - Liebert® SiteScan® Configuration

Figure 51 Comm options dialog box



13.8.1 Configuring the Input Contact Isolator Settings

The Input Contact Isolator (ICI) is an optional, eight-channel input board for up to eight external user alarm or message inputs to be routed to the Liebert® STS2's™ alarm network. If the Transfer Inhibit option is supplied, the ICI will accommodate up to seven external user alarm or message inputs.

The contact is set to normally open. When a contact closes or opens, an event is triggered. See **6.4 - Input Contact Isolator Board** for more information on the ICI.

The Input Contact Isolator options are configured through the Input Contact Isolator dialog box, which is accessed from the Comm Options dialog box. The Input Contact Isolator dialog box contains eight choices to match the eight channel input board. You can label each button to identify the event associated with the contact. When the dialog box is accessed, each button flashes to display the Input Contact Isolator number and the user entered label. This label also appears in the Display Panel when an event related to an Input Isolator Connector is triggered.

The Input Contact Isolator dialog box allows you to:

- Label the input contact assignments for your setup.
- Set the delay for an external event triggering an alarm.
- Review the isolator contact assignments, once the labels are entered.

The delay allows you to set the number of seconds which a condition needs to persist to trigger an alarm.

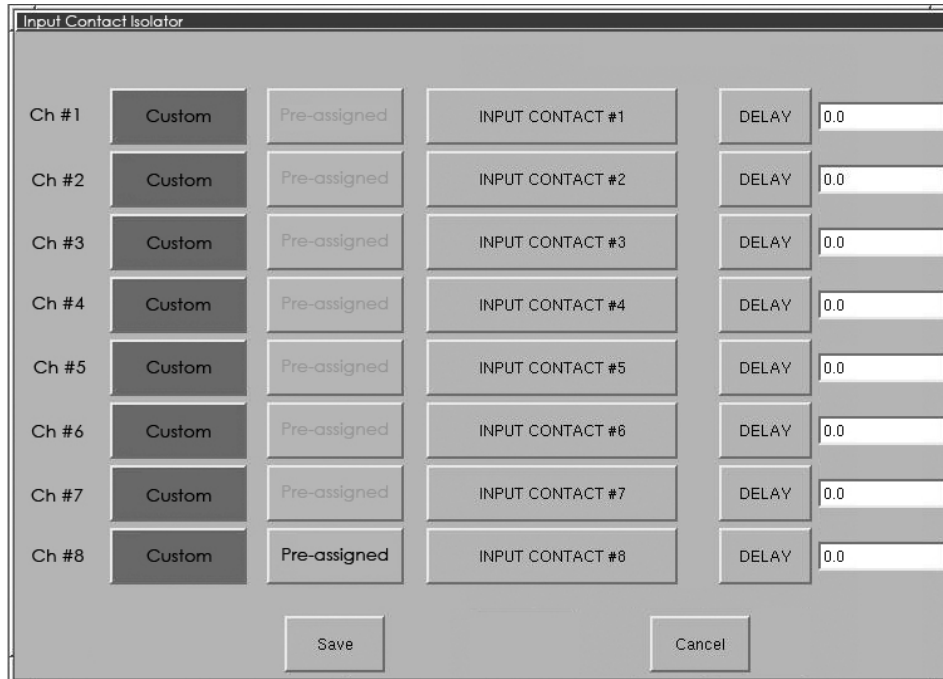
These input alarms can also be configured to activate a programmable relay output, which is discussed in **Configuring the Programmable Relay Board Settings on page 99**.

When the Transfer Inhibit option is supplied, connect a N.O. dry contact (customer-supplied) to Input Contact 8 (Pins 15 and 16). When the customer contact closes, transfers will be inhibited as long as the contact remains closed. Input Contact 8 is factory-set so no setup is required. The Transfer Inhibit option prevents Input Contact 8 from being used for any other input.

To configure the Input Contact Isolator relays:

1. Select INPUT CONTACT ISOLATOR from the Comm Options menu.
The Input Contact Isolator dialog box is displayed.

Figure 52 Input contact isolator dialog box



Channel	Mode	Pre-assignment	Input Contact Name	Delay
Ch #1	Custom	Pre-assigned	INPUT CONTACT #1	0.0
Ch #2	Custom	Pre-assigned	INPUT CONTACT #2	0.0
Ch #3	Custom	Pre-assigned	INPUT CONTACT #3	0.0
Ch #4	Custom	Pre-assigned	INPUT CONTACT #4	0.0
Ch #5	Custom	Pre-assigned	INPUT CONTACT #5	0.0
Ch #6	Custom	Pre-assigned	INPUT CONTACT #6	0.0
Ch #7	Custom	Pre-assigned	INPUT CONTACT #7	0.0
Ch #8	Custom	Pre-assigned	INPUT CONTACT #8	0.0

2. Select INPUT CONTACT 1.
A keyboard is displayed to allow you to enter the name of the alarm.
3. Enter the name of the alarm set for that input. For example, a fan problem could be indicated by naming the button FAN.
4. Select OK on the keyboard to keep your label.
5. Select DELAY.
A keypad is displayed prompting you for a delay time, in seconds, for a condition to exist before the alarm is triggered.
6. Enter the delay value. The range for the values are from 0 (zero) to 99.9 seconds.
7. Select OK on the keypad to keep your setting.
The value you entered is displayed in the field adjacent to the corresponding input contact.
8. Repeat steps 2 to 7 for each input contact.
9. Select SAVE after you have configured all input contacts.
Be sure to select Save even if you have accessed this dialog only to change a setting.
10. Enter the settings in **Input Contact Isolator Settings Record on page 149**.
This information is not saved if control power is removed.
11. Select OK in the Comm Options dialog box to activate the settings.

13.8.2 Configuring the Programmable Relay Board Settings

The Liebert® STS2™ can contain up to two Programmable Relay Boards (PRB) that can trigger an external device when an event occurs in the Liebert® STS2™. For example, if Source 1 fails, an external light flashes.

See **6.1 - Programmable Relay Board** for more information on the PRB's.

The Programmable Relay Board dialog box with two options: STANDARD SET and USER DEFINED SET. The STANDARD SET are the factory-configured settings.

The STANDARD SET for the Programmable Relay Board settings are:

Table 11 Standard settings for programmable relays

Relay	Setting	Definition
1	SOURCE 1 FAIL	Source 1 failure.
2	SOURCE 2 FAIL	Source 2 failure.
3	BYPASS CB4 CLOSED	Switch (CB4) is closed, Source 1 is bypassed.
4	BYPASS CB5 CLOSED	Switch (CB 5) is closed, Source 2 is bypassed.
5	TRANSFER INHIBIT	A transfer between Source 1 and Source 2 is being restrained.
6	OUT OF SYNC	The phase difference between sources 1 and 2 exceeds the allowable threshold for transfer,
7	EQUIP OVER TEMP	The ambient temperature of the Liebert® STS2™ exceeds the recommended threshold for operation.
8	Blank	No setting.

The USER DEFINED SET allows you to assign faults and alarms to each contact on the relay boards.

Utilizing the USER DEFINED SET, you can also select Input Contact Isolators to associate with a programmable relay.

In addition individual events, three other assignment choices are available:

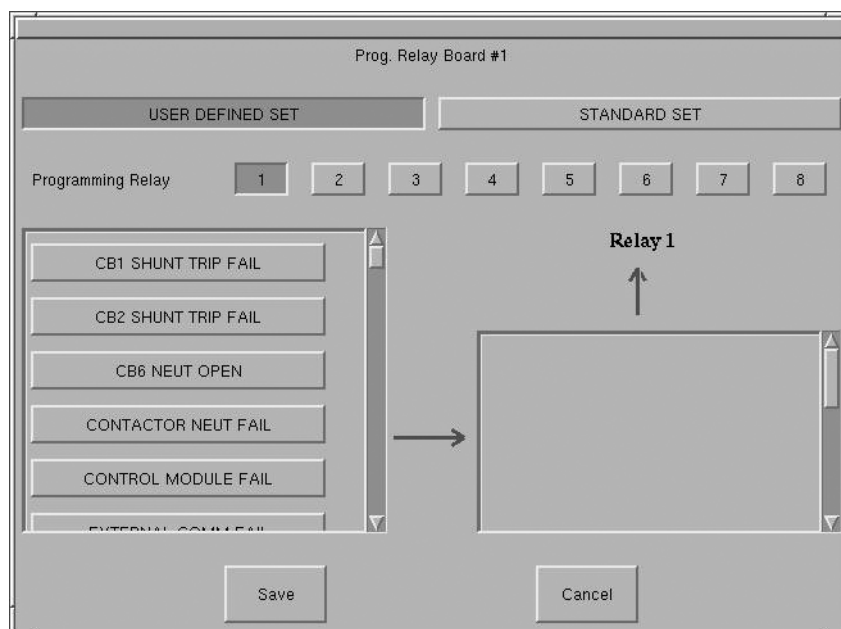
- **SELECT ALL** sends a *summary* event to the selected relay whenever *any* event occurs. If this setting is selected for a relay, no other event needs to be assigned for that relay.
- **ON SOURCE 1** or **ON SOURCE 2** can be assigned to a relay to send a notification when that source is being used by the load.

Once configured, the Liebert® STS2™ continuously checks the status of the items defined for each contact and updates the state of the relay.

To configure your programmable relay boards for user defined settings:

1. Select PROG. RELAY BOARD # x from the Comm Options dialog box, where x is the corresponding board number.
The Prog. Relay Board dialog box is displayed.

Figure 53 Programmable relay board dialog box



2. Select your configuration settings.
 - Select STANDARD SET to use the settings configured at the factory. See Go to step 4.
 - Select USER DEFINED SET to configure your own settings. Go to step 3.

If you enter a user-defined setting, record the setting in **Programmable Relay Board Settings Record on page 147**. If for some reason the control board is replaced, it will be necessary to reprogram the Programmable Relay Board with this information.
3. To define your relay board settings:
 - a. Select a Programming Relay.
 - b. Select an event you want associated with the relay. That fault is placed in the Relay column.
You can associate up to 10 events with one relay. If you do so, you should group the events logically to simplify troubleshooting when an event is triggered.
4. Select SAVE to keep the settings.
5. Select OK for the applicable Programmable Options Board option in the Comm Options dialog box to activate the settings.

13.8.3 Configuring the Liebert® IntelliSlot™ Unity-DP™ Card

An optional Liebert® IntelliSlot™ Unity-DP™ Card can be installed in the Liebert® STS2™ to provide Ethernet connectivity via an RJ-45 port.

Ethernet cabling is the responsibility of the customer. Category 5 cabling is required.

See **6.6 - Liebert® IntelliSlot™ Unity-DP™ Card** for more information on the Liebert® IntelliSlot™ Unity-DP™ Card. See the card's user guide, SL-52645, for configuration instructions. The guide is available at the Vertiv™ Web site, www.vertivco.com

If the optional Liebert® IntelliSlot™ Unity-DP™ Card is installed in the Liebert® STS2™:

- Select YES for the Network Interface Card option in the Comm Options dialog box to activate the card.

13.8.4 Liebert® SiteScan® Configuration

An optional RS-422 port, contained in the Comms Board, can be installed in the Liebert® STS2™ to provide communications with Liebert® SiteScan®. Liebert® SiteScan® is system monitoring software that allows a PC to monitor the Liebert® STS2's™ status and check alarms. See **6.5 - Comms Board** for more information on this board.

If the Liebert® STS2™ will be connected to Liebert® SiteScan®:

- Select YES for the Liebert® SiteScan® choice in the Comm Options dialog box to activate the card.

13.8.5 Saving Your Communication Configurations

To save you communications configuration settings:

1. When you have completed the Comm Options configuration, ensure you have selected YES for all the settings that you want activated.
2. Select SAVE to keep the settings.

Whenever you make modifications to the any of the Comm Options, select SAVE to keep the changes.

13.9 System Options

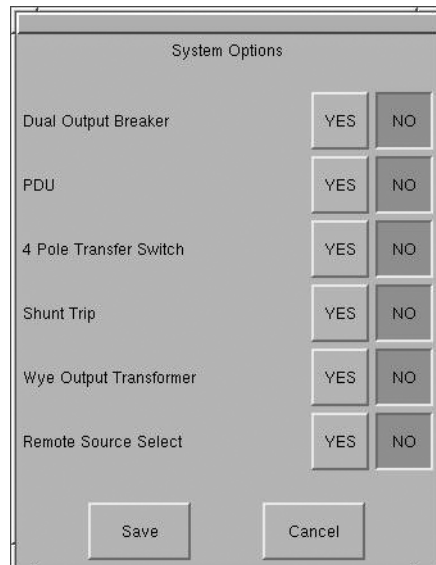
Most System Options are configured at the factory. However, you may need to set two of the choices after the unit is installed: Wye Output Transformer and Remote Source Selection.

- Select SYSTEM OPTIONS from the System Settings Menu. (If needed, see **13.7.4 - System Settings** to access the System Settings menu.)

The System Options dialog box is displayed.

- An option is enabled by selecting YES.
- An option is disabled by selecting NO.

Figure 54 System options



Dual Output Breaker

This selection is set at the factory. The choice is set to YES to enable both output breakers (CB3 and CB3A) when two are installed in the unit. If only one output breaker (CB3) is installed, the setting is set to NO.

PDU

This selection is set at the factory. This setting allows the LCD to draw the Mimic accordingly and display PDU specific metering and alarm information.

4-Pole Transfer Switch

This option is available only in certain markets (factory-set to *No*).

Shunt

This selection is set at the factory.

Wye Output Transformer

The Wye Output Transformer controls the firing of the SCRs on startup, which minimizes the inrush into PDU transformers. Output breakers and PDU input breakers have to be closed when you start up the system. Based on whether the input side of the PDU transformer is configured as a Wye or Delta changes the firing sequence of the SCRs.

If the Liebert® STS2™ is connected to a PDU configured as a Wye:

- Select YES for the Wye Output Transformer choice in the System Options dialog box.

Remote Source Selection

If your system is configured with the optional Remote Source Selection, it must be enabled from the System Options menu. See **6.8 - Remote Source Selection Wiring** for more information.

If the system is utilizing Remote Source Selection:

- Select YES for the Remote Source Selection choice in the System Options dialog box to activate the option.

13.10 System ID

Most of the settings for System ID are set by Vertiv™ either at the factory or when the unit is installed.

Order No., System Tag No., System ID No. and Model No. are the numbers used to identify and track the system.

Language, Time and Date are synchronized with the location of the unit.

The only configurable field is the Password. See **Using the Password on page 91** for more information on configuring and using the password.

13.11 Logs

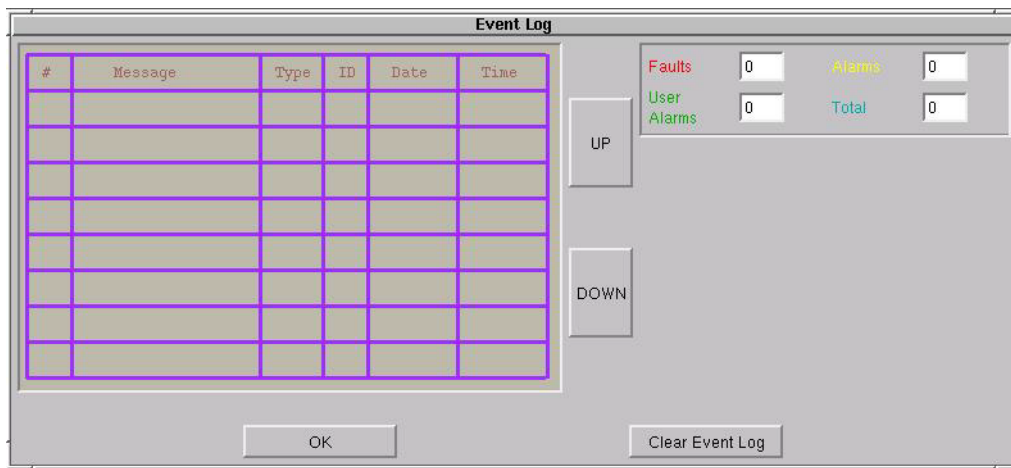
Two types of logs are kept by the Liebert® STS2™: Event Log and History Log.

13.11.1 Event Log

The Event Log tracks the alarms and faults of the Liebert® STS2™.

See **11.0 - ALARM AND FAULTS** for more information on these events and see **11.2.1 - Event Log** for more information on the Event Log and definitions of the fields displayed in the Event Log screen.

Figure 55 Event log



To use the Event Log:

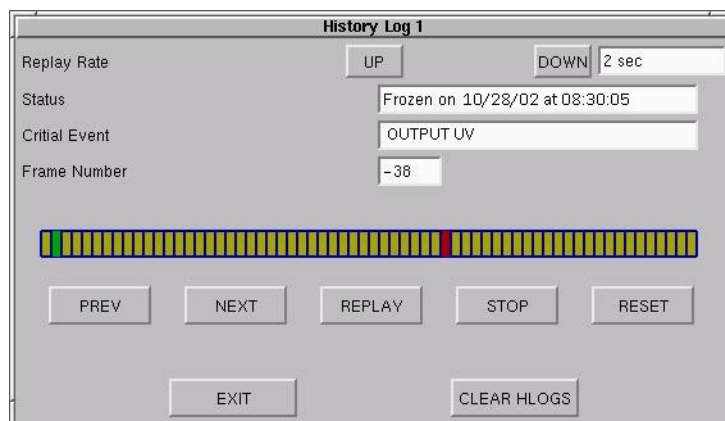
1. Select LOGS from the menu bar to open the Logs menu.
2. Select EVENT LOG from the menu.
3. Use the UP and DOWN buttons to scroll through the event list.
4. Select OK to close the Event Log. The data remains in the log.

13.11.2 History Log

Two History Logs are available to track major alarms. If so configured, an alarm freezes the history buffer. When the History Status buffer is frozen, a History Log is created that can be accessed from the HISTORY LOG x choices in the LOGS menu.

See **11.2.2 - History Log** for more information on the History Logs and definitions of the fields displayed in the History Log screen.

Figure 56 History log



To use the History Log:

1. Select LOGS from the menu bar to open the Logs menu.
2. Select either HISTORY LOG 1 or HISTORY LOG 2 from the menu.
3. Select the appropriate buttons to replay the log:
 - Select PREV to go to the previous frame in the sequence.
 - Select NEXT to go to the next frame in the sequence.
 - Move the green cursor to the location from which you would like to play the sequence of events.
 - Select REPLAY to play the frames automatically from the point of the cursor.
 - Select STOP to halt the replay.
 - Select RESET to return to the first frame in the log.
4. Select EXIT to close the History Log. The data remains in the log.
 - Use CLEAR HLOGS to remove the data from both history logs.



NOTE

Event and History Logs are protected by security. The password or a disabled key lockout is required on such equipped units to clear these logs.

13.12 Source Transfers

The Source Transfer choice (SOURCE XFERS) allows you to manually select a preferred source. To switch the primary source, refer to the instructions in **10.2 - Manual Transfer / Preferred Source Selection**.

13.13 Startup Procedure

You can access instructions for starting the Liebert® STS2™ from the menu bar.

- From the menu bar, select STARTUP PROC.

These instructions are also provided on **10.1 - Normal System Startup** for Color Graphical display units and **14.2.1 - Normal System Startup** for LED Display units.

13.14 Bypass Procedure

You can access instructions for bypassing the static transfer switch from the menu bar.

- From the menu bar, select BYP. PROC.

The instructions are provided in the display panel.

Bypass procedures are also discussed in **10.4 - Maintenance Bypass** for Color Graphical display units and **14.2.3 - Maintenance Bypass** for LED Display units.

13.15 Help

You can select an event in the Event Display to display more information about that event in the Display Panel. This same help is also available in **16.0 - EVENT MESSAGE HELP TEXT**.

13.16 Logo

The Logo menu choice shows the Vertiv™ logo in the display panel.

13.17 Cleaning the LCD Touchscreen

If the touchscreen requires cleaning, use a pre-moistened towelette designed for cleaning computer monitors, or dampen a soft, non-abrasive cloth with a very mild cleaning solution.

Do not spray the cleaner directly onto the touchscreen, as drips may run down into the screen and damage the equipment.

Close all menus and dialog boxes before cleaning the touchscreen.

14.0 OPERATING THE LIEBERT® STS2™ LED DISPLAY

Certain models of the Liebert® STS2™ do not include the LCD Color Graphical Display with the touchscreen interface. This display is replaced by an LED front panel to allow you to monitor the unit and alert you when a problem occurs. The LED panel can be replaced with the Color Graphical Display. Instructions for using the LCD are in **13.0 - LIEBERT® STS2™ TOUCHSCREEN DISPLAY**.

You can use a PC running terminal emulation software connected to the RS-232 port to access the data and configuration settings that are available in the Color Graphical Display touchscreen. See **12.1 - Using the RS-232 Port** for instructions on setting up and using a terminal with the unit.

14.1 LED's and Buttons and Key Lockout Switch

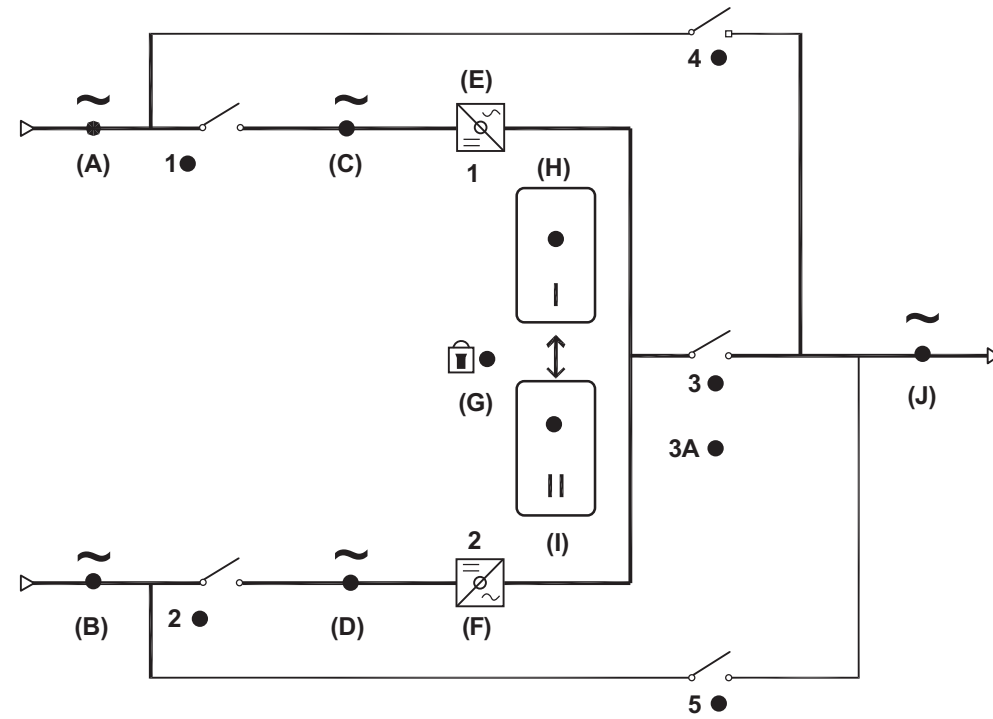
The LED Display unit is monitored and controlled through a series of LED's and buttons and an optional key lockout switch. This section includes illustrations of the LED's, buttons and key lockout switch, plus tables providing definitions of these components.

14.1.1 Front Panel Controls

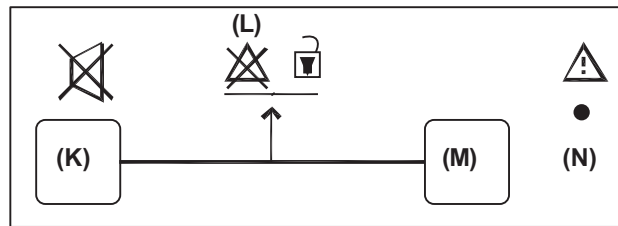
The front panel contains the LED's to monitor the Liebert® STS2™, plus selection buttons to choose the preferred source. **Figure 57** provides a breakdown of the front panel.

Table 12 on page 109 defines the LED's and the push buttons on the display.

Figure 57 LED display



See Table 12 for LED meanings and suggested actions.



14.1.2 LED and Push Button Description

The following table defines the LED's and push buttons in the LED display:

Table 12 LED and push button description

Symbol	LED	Description	Action
A	Green	Source 1 power is present	A green LED is lit if the Source 1 input power is present. This LED only indicates that power is present to the power supply; it does not indicate if the power is within the programmed tolerances of the unit.
B	Green	Source 2 power is present	A green LED is lit if the Source 2 input power is present. This LED only indicates that power is present to the power supply; it does not indicate if the power is within the programmed tolerances of the unit.
C	Green	Source 1 within tolerance	A green LED is lit if Source 1 power is within the programmed tolerance for all phases.
D	Green	Source 2 within tolerance	A green LED is lit if Source 2 power is within the programmed tolerance for all phases.
E	Green	Source 1 SCRs On	A green LED is lit when the SCRs for Source 1 are closed.
F	Green	Source 2 SCRs On	A green LED is lit when the SCRs for Source 2 are closed.
G	Yellow	Source transfer inhibited	A yellow (amber) LED is lit when source transfers are inhibited (locked out) by a hardware condition. Connect a PC terminal to the Liebert [®] STS2 [™] to locate the exact cause. See 12.0 - COMMUNICATION INTERFACES for PC terminal commands.
H	Green	Push button to select Source 1 as the preferred source	A green LED is lit if the button has been pushed to set Source 1 as the preferred source.
I	Green	Push button to select Source 2 as the preferred source	A green LED is lit if the button has been pushed to set Source 2 as the preferred source.
J	Green	Output power is present	A green LED is lit to indicate that power is present on the output load.
K		Alarm silence button	Push this button to turn Off the horn that is sounded for an alarm. This button does not reset an alarm condition, unless pushed simultaneously with "M" button.
L		Symbol to indicate the K and M must be pushed at the same time to reset alarm	
M		Alarm reset push button	Push this button simultaneously with the "K" button to reset an alarm condition. An alarm can only be reset if the hardware condition permits a reset.
N	Red	Alarm present	A red LED is lit when an alarm condition is present in the Liebert [®] STS2 [™] . Connect a PC terminal to the Liebert [®] STS2 [™] to locate the exact cause. See 12.0 - COMMUNICATION INTERFACES for PC terminal commands.
1	Green	CB1 closed	A green LED is lit if CB1 is closed, indicating power is flowing to the static transfer switch from Source 1.
2	Green	CB2 closed	A green LED is lit if CB2 is closed, indicating power is flowing to the static transfer switch from Source 2.
3	Green	CB3 closed	A green LED is lit if the output breaker/switch is closed.
3A	Green	CB3A closed	A green LED is lit if the output breaker/switch is closed. CB3A is installed on units with dual output breakers.
4	Yellow	CB4 closed	A yellow LED is lit if the Source 1 bypass breaker/switch is closed.
5	Yellow	CB5 closed	A yellow LED is lit if the Source 2 bypass breaker/switch is closed.

14.1.3 Event Controls

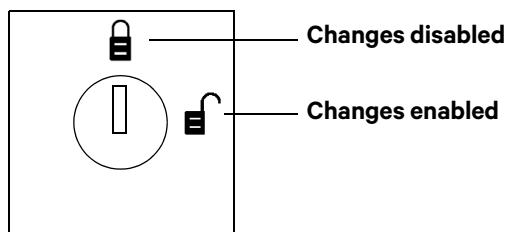
When an alarm is triggered, a red LED is lit in the control panel. A pair of buttons allows you to turn Off the horn and reset the alarm.

14.1.4 Key Lockout Switch

An optional key lockout switch for the Liebert® STS2™ enables or disables all push button inputs, except for the alarm silence button. The key lockout switch is mounted on the front of the unit. See **Figures 7 to 9** for the key lockout switch location on each unit.

- To disable the buttons, turn the key to the top of the switch, toward the closed padlock icon.
- To enable all of the buttons, except the alarm silence, turn the key to the horizontal position, toward the open padlock icon.

Figure 58 Key lockout switch.



14.2 Operations

This section discusses the system startup, shutdown and bypass procedures for the LED-based Liebert® STS2™.

If your unit has an LCD touchscreen, see **10.0 - OPERATING INSTRUCTIONS FOR THE TOUCHSCREEN INTERFACE** for instructions these procedures.

14.2.1 Normal System Startup



NOTE

*If your Liebert® STS2™ is connected to a PDU with a Wye configuration, enable the Wye Output Transformer before starting the system. This configuration can be done from a PC terminal. Refer to **12.1 - Using the RS-232 Port** for instructions.*

This section provides instructions to start up the Liebert® STS2™. The LED's provide the basic information required to ensure proper operation. To monitor metering data, use a PC terminal.

1. Ensure that all Liebert® STS2™ breakers—CB1, CB2, CB3A (if supplied), CB3, CB4, and CB5—are in the OFF (open) position.
 - a. Ensure that the key interlocks for CB1 and CB2 have their bolts retracted.
 - b. Ensure that the key interlocks for CB4 and CB5 have their bolts extended, thus preventing CB4 or CB5 from being turned On.
 - c. Ensure that the circuit breakers respective LED's are Off.
2. Source/input power should be applied to both Liebert® STS2™ inputs. Check that the green LED's for each source are lit.
3. Verify that nominal input voltages are applied to both inputs (Source 1 and Source 2). Check that the green LED's monitoring the sources are lit indicating the sources are within acceptable tolerances.



NOTE

For redundant output switch units, CB3 descriptions apply to CB3 and CB3A.

4. Close CB1.
The green LED monitoring CB1 turns On.
5. Close CB2.
The green LED for CB2 turns On.
6. Verify that the preferred source LED (green) (LED_PREFx) is lit for the source that you want the switch to be using.
7. Verify that the green LED for the corresponding SCR (Liebert® STS1™ or Liebert® STS2™) is lit, indicating that the SCR is closed.
8. Close Output Breaker CB3 (and CB3A in a redundant output configuration).
9. Verify that CB3 LED is lit, indicating that CB3 is closed and the output and load are energized.
 - In a redundant output configuration, verify the CB3A LED is lit, indicating that CB3A is closed and the output and load are energized
10. Press the Reset and Silence buttons simultaneously to reset any previous alarms.
11. Verify that no red or yellow (amber) LED's are lit indicating an active alarm, transfer is inhibited or a bypass circuit breaker is closed.
If the alarm LED remains lit, check the PC terminal to identify the alarm. Refer to **11.0 - ALARM AND FAULTS** for a description of the alarms and possible causes. All active alarm conditions should be corrected before proceeding.
12. If the unit is supplied with an output distribution cabinet, close output breakers as required.
13. Turn On the load equipment following the load equipment manufacturer's recommendations.

14.2.2 Manual Transfer / Preferred Source Selection

The preferred source buttons allow you to change the preferred source. Transfers are only permitted when the voltage and current are within their proper operating range and the sources are synchronized. Transfer is inhibited if the deviation exceeds the parameter set in the Source Set Points.



NOTE

*If one source will be de-energized for an extended period (hours or days), set the unit to bypass mode for the remaining source. Without using bypass, if a failure occurs in the switch components for remaining source, the Liebert® STS2™ does not have a second source to switch to and the load would not receive power. See **14.2.3 - Maintenance Bypass** on page 113 for bypass instructions.*

To manually select the preferred source:

1. Ensure that the Transfer Inhibit (NOXF) LED is not lit.
If the Transfer Inhibit LED is lit:
 - Check to see whether the red alarm LED is lit.
 - If the alarm LED is lit, check the alarm messages on a PC terminal.
 - Correct alarm conditions before attempting a source transfer.



NOTE

When the remote source selection option (Remote Control) is activated, a change of state (Remote Preferred Source Selection) may initiate a transfer if the appropriate contacts are closed.

2. Verify that the LED's are lit for both sources, indicating power is present and within acceptable tolerances.
3. Verify that the LED's for the SCRs (Liebert® STS1 and Liebert® STS2™) are lit.
4. Verify that the input breakers CB1 and CB2 are closed.
 - Verify that their respective LED's are lit.
5. Push the Preferred Source button for the desired source. See **Table 12** on page 109.
The Preferred Source (LED_PREFx) LED turns On for that source.
When conditions are correct, the switch transfers the load to the alternate source by selecting the alternate source as the preferred source.
This source is now monitored as the preferred source throughout the various configurations set up through the PC terminal.
6. Check the LED's to verify that the correct source is designated as the preferred source and that the input source changes to the desired source and the output (OUT) LED remains lit.

14.2.3 Maintenance Bypass

The Liebert® STS2™ is equipped with two key-interlocked, bypass breakers, CB4 and CB5, to allow manual bypass of the switch electronics for either input source in the event of switch failure or for maintenance of the switch. Refer to the static transfer switch one-line diagram (**Figure 2**). While operating on maintenance bypass, all voltages are removed from the Liebert® STS2™ electronics to facilitate safe repair, without de-energizing the load using a make-before-break switching sequence.

However, the unit can be bypassed using a make-before-break switching sequence only to the same source to which that the switch is connected.

In the event of source or switch failure, the unit should be bypassed only to the current input source.

The LED display is used to verify the status of the unit during the bypass procedures. In the unlikely event that the LED display is not available, open the front door and look through the slots in the control door. If you can see green LED's on the gate driver board through that slot, then the unit is connected to the source referenced on the label below that slot. See **Figure 43**.

Bypass Procedures for Source 1

To bypass the switch for Source 1:



NOTE

*To bypass the Source 1 static transfer switch when Source 2 is presently active, you must first transfer to Source 1. See **14.2.2 - Manual Transfer / Preferred Source Selection**.*

1. Verify that Source 1 is supplying power via the LED display.
 - If the LED Display is not available, check the gate driver board LED's through the slots in the control panel. See **Figure 43**.
2. Remove the interlock key from CB5 and place it in the CB4 interlock.
3. Open the alternate source input breaker CB2.
Verify that CB2 LED is Off.
4. Rotate and remove the CB2 interlock key.
5. Insert the key in the CB4 bypass breaker interlock.
6. Rotate the interlock keys in the CB4 bypass breaker interlock to retract the interlock.
7. Close bypass breaker CB4.
Verify that CB4 LED is On.
8. Open source input breaker CB1.
Verify that CB1 LED is Off.
9. Rotate the CB1 interlock key and remove it to lock out the breaker.
10. Secure the key according to your site's lockout/tagout procedure.
11. Open output breakers CB3 and CB3A (if supplied) to remove power and isolate the static switch from the load.
Verify that CB3 and CB3A LED's (if supplied) are Off.
12. Verify that the output LED is On.

Power is now flowing directly from the source to the load, without passing through the static transfer switch.

To return to normal mode:

1. Verify that the LED for Source 1 is On, indicating that the source is supplying power and is operating within acceptable tolerances.
2. Insert the key in the CB1 breaker interlock.
3. Rotate the key to retract the interlock.
4. Close source input breaker CB1.
Verify that CB1 LED is On.
5. Select the SOURCE 1 button.
6. Close output breakers CB3 and CB3A (if supplied).
Verify that CB3 and CB3A LED's are On.
7. Verify that STS SOURCE 1 and OUTPUT LED's are On.
8. Open bypass breaker CB4.
Verify that CB4 LED is Off.
9. Rotate the keys in the CB4 interlock to extend the interlock.
10. Remove the proper key from the CB4 interlock and insert it in the CB2 breaker interlock.
11. Rotate the key to retract the CB2 breaker interlock.
12. Close source input breaker CB2.
Verify that CB2 LED is On.

Bypass Procedures for Source 2

To bypass the switch for Source 2:



NOTE

*To bypass the Source 2 static transfer switch when Source 1 is presently active, you must first transfer to Source 2. See **14.2.2 - Manual Transfer / Preferred Source Selection**.*

1. Verify that Source 2 is supplying power via the LED display.
 - If the LED Display is not available, check the gate driver board LED's through the slots in the control panel. See **Figure 43**.
2. Remove the interlock key from CB4 and place it in the CB5 interlock.
3. Open the alternate source input breaker CB1.
Verify that CB1 LED is Off.
4. Rotate and remove the CB1 interlock key.
5. Insert the key in the CB5 bypass breaker interlock.
6. Rotate the interlock keys in the CB5 bypass breaker interlock to retract the interlock.
7. Close bypass breaker CB5.
Verify that CB5 LED is On.
8. Open source input breaker CB2.
Verify that CB2 LED is Off.
9. Rotate the CB2 interlock key and remove it to lock out the breaker.
10. Secure the key according to your site's lockout/tagout procedure.
11. Open output breakers CB3 and CB3A (if supplied) to remove power and isolate the static switch from the load.
Verify that CB3 and CB3A LED's (if supplied) are Off.
12. Verify that the output LED is On.

Power is now flowing directly from the source to the load, without passing through the static transfer switch.

To return to normal mode:

1. Verify that the LED's for Source 2 are On, indicating that the source is supplying power and is operating within acceptable tolerances.
2. Insert the key in the CB2 breaker interlock.
3. Rotate the key to retract the interlock.
4. Close source input breaker CB2.
Verify that CB2 LED is On.
5. Select the SOURCE 2 button.
6. Close output breakers CB3 and CB3A (if supplied).
Verify that CB3 and CB3A LED's are On.
7. Verify that STS SOURCE 2 and OUTPUT LED's are On.
8. Open bypass breaker CB5.
Verify that CB5 LED is Off.
9. Rotate the keys in the CB5 interlock to extend the interlock.
10. Remove the proper key from the CB5 interlock and insert it in the CB1 breaker interlock.
11. Rotate the key to retract the CB1 breaker interlock.
12. Close source input breaker CB1.
Verify that CB1 LED is On.

14.2.4 Normal System Shutdown

The Liebert® STS2™ can be shut down from either the static switch mode or the bypass mode.

Shutdown in Static Transfer Switch Mode

When the Liebert® STS2™ is operating in static transfer switch mode (not maintenance bypass mode):

1. Turn Off the load equipment per manufacturer's recommendations.
2. Open CB3 to turn Off the static switch output.
 - Open CB3A if the static transfer switch is a redundant output configuration.
The LED's for CB3 and CB3A (if supplied) and the output (OUT) are turned Off.
3. Open the input switches CB1 and CB2.
The LED's for CB1 and CB2 are turned Off.
4. To completely de-energize the unit, turn OFF the power to both inputs to the Liebert® STS2™.

Shutdown in Maintenance Bypass Mode

When the Liebert® STS2™ is operating on bypass:

1. Turn Off the load equipment per manufacturer's recommendations.
2. Open the bypass switch (CB4 or CB5) to turn Off the Liebert® STS2™ output.
The LED for the bypass switch is turned Off.
The output (OUT) LED is turned Off.
3. To completely de-energize the unit, turn Off the power to both inputs to the Liebert® STS2™.

15.0 SPECIFICATIONS

This section provides the specifications for the Liebert® STS2™.

15.1 System Configuration

The Liebert® STS2™ can be set in several different configurations, according to the model and location. The configuration is set at the factory and does not need to be changed by the customer. These configurations apply to both units, the Color Graphical Display and an LED Display.

15.1.1 Frequency

The Liebert® STS2™ accepts input frequencies of 50 Hz and 60 Hz. The frequency shall be within $\pm 0.5\text{Hz}$ of the nominal frequency.

15.1.2 Input/Output Voltage

The Liebert® STS2™ models are available to handle various voltages.

The input voltage must be three-phase AC (3 or 4 wire-plus-ground). The Liebert® STS2™ is designed to accept an input neutral from each source. The neutral is switched in the 4-pole Liebert® STS2™ only.

The voltage shall be within $\pm 10\%$ of the nominal voltage.

The output voltage shall be three-phase AC (3 or 4 wire-plus-ground). Nominal output voltage shall be same as input voltage.

The following table provides nominal voltages, listed according to frequency.

Table 13 Input/output voltage

60Hz	50 Hz
[L-L/L-N]	[L-L/L-N]
200/115V	200/115V
208/120V	208/120V
220/127V	220/127V
240/139V	240/139V
380/220V	380/220V
400/230V	400/230V
415/240V	415/240V
480/277V	
600/346V	

15.1.3 System Current Ratings

These ratings are based upon continuous switch current rating. These ratings are for all voltages and frequencies. All units are 100% continuous current rated.

Table 14 System current ratings

Current, A
100
250
400
600
800
1000

15.1.4 Grounding

Refer to **5.2 - System Grounding** for specifications and instructions regarding grounding.

15.1.5 Electrical Requirements

Table 15 Electrical requirements

Item	Requirement
Maximum Continuous Current	100, 250, 400, 600, 800, 1000 amps
Load Power Factor Range	0.75 to 1.0, leading or lagging
Load Crest Factor	Up to 3.5
Source Voltage Distortion	Up to 10% THD with notches and ringing transients
Overload Capability	125% for 30 minutes 100A-400A
	125% for 10 minutes 600A-1000A
	150% for 2 minutes
	500% for 0.25 sec.

Refer to submittal drawings PS214000 - PS214004 for unit short circuit withstand ratings and cable sizes.

15.1.6 Input Surge Suppression

The Liebert® STS2™ is equipped with transient voltage surge suppression on each input for maximum surge suppression. The surge suppression is capable of protecting the Liebert® STS2™ from operating outside of tolerances due to surges as defined by IEC 1000-4-5 (1.2/50uS surge, 2kV CM and 1kV DM) as required under EN 50091-2.

15.1.7 Response Time

A dual level fast/slow transfer threshold is used for under voltage detection to allow the Liebert® STS2™ to be compatible with UPSs and generators. The voltage thresholds and the slow transfer delay time is user-adjustable. The fast transfer delay time is less than 4 ms.

The over voltage detection uses a single threshold, with programmable level and delay time.

See **User Settings on page 93** for instructions on configuring these settings.

15.1.8 Environmental Requirements

See **3.0 - LOCATION CONSIDERATIONS** for details concerning environmental requirements for the Liebert® STS2™.

15.2 System Components

All Liebert® STS2™ models provide two static transfer switches within one enclosure, with the ability to transfer between two input sources to a single output.

All Liebert® STS2™s are configured with either an LCD Color Graphical Interface touchscreen display or LED's for monitoring and configuring the unit.

This section lists the common components and the differences for both types of units.

15.2.1 Frame and Enclosure

The complete Liebert® STS2™ is housed in a freestanding enclosure. The cabinet is a NEMA type 1 enclosure and meets IP20 requirements. The cabinet is structurally designed to handle lifting from the base. The frame is designed to accommodate floor stands.

Table 16 Frame sizes

Rating	Width, in. (mm)	Depth, in. (mm)	Height, in. (mm)
100 – 250A 3-pole	30 (762)	32 (813)	76.77 (1950)
400 – 600A 3-pole	38 (965)	32 (813)	76.77 (1950)
800 – 1000A 3-pole	84 (2134)	32 (813)	76.77 (1950)

The distributed floor weight for Liebert® STS2™ is less than 150 lb./ft² (660kg/m²).

The required service access is only from the front of the unit.

The Liebert® STS2™ can be tipped 15° in any direction without falling over.

15.2.2 Casters, Leveling and Seismic Anchoring

The frame includes heavy-duty swivel casters for ease of installation, plus permanent leveling feet for final installation.

The unit also can be fastened to the floor using optional seismic anchors to meet seismic Zone 4 requirements. See **4.0 - LOCATING THE LIEBERT® STS2™** and **Figures 10** through **12** for instructions and details for installing seismic anchoring.

15.2.3 Cooling

The Liebert® STS2™ 100 – 600A units utilize convection air cooling for the enclosure with forced air cooling of the heat sinks. The 800-1000A units are fan cooled using low-velocity fans to minimize audible noise. All fans are redundant so that a single fan failure cannot cause temperatures to increase beyond acceptable limits.

Air intake is through screened protective openings in the front of the unit. A standard furnace filter is installed behind the openings.

By opening the front door, the filter can be changed easily without exposing personnel to high voltage.

The size of the filter is 1 in. x 25 in. x 25 in. (2.54 cm x 63.5 cm x 63.5 cm).

The air exhaust is through the top of the unit.

15.2.4 Access

The Liebert® STS2™ is designed so all repairs and maintenance can be done from the front or top of the unit. All components that may need repair or replacement during routine field maintenance are safely accessed with the units in bypass without removing power from the unit. These components include:

- All electronic PCB assemblies
- Power supply assemblies
- All fuses
- All circuit breaker plug-in modules
- Fans
- SCRs

All power connections are designed to maintain proper connection torque over the lifetime of the unit without any maintenance. The integrity of the connections can be checked via infrared scanning safely from the front or top of the unit.

All other components including power cables and connections, circuit breaker bases, etc. are replaceable from the front or top of the unit only, but this requires all power to be removed from the unit for safety. Although routine re-torquing of the power connections is not required, if maintenance of these connections is needed, complete removal of power is required from the unit for safety reasons.



WARNING

Lethal voltages exist inside the unit during normal operation. Only qualified service personnel should perform maintenance on the static switch.

The unit is supplied by more than one power source. The unit contains hazardous voltages if any of the input sources is ON, even when the unit is in bypass. To isolate the unit, turn OFF and lock out ALL input power sources.

Verify that all input power sources are de-energized and locked out before making connections inside unit.

15.2.5 Circuit Breakers

The Liebert® STS2™ is equipped with five molded-case, plug-in, non-automatic circuit breakers. The breakers are UL-listed for use up to 600 VAC and CE-marked. The plug-in feature of the breaker includes an interlock, which prevents the breaker from being unplugged without being in the OFF (open) position.

Mechanical interlocks are provided on the breakers to prevent improper maintenance bypassing of the solid-state switch. A bypass breaker cannot be closed unless the solid-state switch is connected to the same input source and only one bypass breaker can be closed at a time. All breakers are equipped with N.O. and N.C. auxiliary switches for monitoring of the breaker positions. The two input breakers for the solid-state switching devices also are equipped with 48 VDC shunt trips to allow for control by the Liebert® STS2™ logic. See submittal drawing PS214002 for circuit breaker schedule.

15.2.6 Cable Entrance

Removable conduit termination plates are provided in the top and bottom of the Liebert® STS2™ for termination of the two source input conduits or raceways and/or the output conduits or raceways.

15.2.7 Doors

A removable key lock hinged front door provides access to the circuit breakers.

15.2.8 Color Graphical Display or LED Display

The display is located in the front of the unit. Front panel display is either an LCD touchscreen display for monitoring and configuring the unit, or an LED panel to monitor the unit's status.

See **Figure 41** for a drawing of the touchscreen display. See **Figure 57** for the layout of the LED display.

15.2.9 RS-232 Port

The unit is equipped with an RS-232 port for connecting a terminal or PC. See **Figure 26** for the port's location.

See **12.1 - Using the RS-232 Port** for instructions on using a PC terminal with the unit.

15.2.10 Terminal Port Connections

The system has an asynchronous serial port configured as Data Terminal Equipment for terminal access only (half duplex). The CPU services the terminal port with no handshaking. The serial port conforms to RS-232 levels. The serial port is 1000VDC isolated (non-SELV) and ESD protected to 15kV air discharge. The connector is a 6-pin MTA plug with connections shown below.

Table 17 MTA plug pin-out

Pin	Signal Name	Function / Comments
1	ISO_GND	Isolated service terminal ground
2	ISO_TXD	Isolated service terminal transmit output
3	ISO_RXD	Isolated service terminal receive input
4	NC	No Connection
5	NC	No Connection
6	NC	No Connection

A DB9 male connector is added and connected parallel to the 6-position header. It is configured as DTE.

Table 18 DB9 pin-out

Pin	Signal Name	Function / Comments
1	NC	No Connection
2	ISO_RXD	Isolated service terminal transmit output
3	ISO_TXD	Isolated service terminal receive input
4	NC	No Connection
5	ISO_GND	Isolated service terminal ground
6	NC	No Connection
7	NC	No Connection
8	NC	No Connection
9	NC	No Connection

15.2.11 RS-232 Interface Parameters

The service terminal interface parameters are the following settings and cannot be changed.

Table 19 RS-232 settings

Parameter	Setting
Interface	RS-232 Using EIA Voltage Levels
Baud Rate	9600
Parity	None
Number of Data Bits	8
Number of Stop Bits	1
Hardware Flow Control	Off
Terminator	<CR> <LF>
Handshaking	Not supported
Structure	Full duplex
Local Echo	Off

15.2.12 Maintenance Bypass

The Liebert® STS2™ is configured to allow the unit's electronics to be bypassed to either input source for maintenance without interruption of power to the load.

The Liebert® STS2™ is furnished with key-interlocked maintenance bypass breakers to configure the bypass.

Liebert® STS2™ units have all electronics isolated from the input, output, and bypass connections to allow safe servicing of any components without access to hazardous voltages when the unit is in maintenance bypass.

See **10.4 - Maintenance Bypass** on page 68 for instructions using the Color LCD Graphical Display unit and **14.2.3 - Maintenance Bypass** on page 113 for instructions using the LED units.

15.2.13 Fuseless Design

All Liebert® STS2™ units are fuseless and are UL rated for use with upstream circuit breakers only.

15.2.14 Options

The following options are available for the Liebert® STS2™:

Programmable Relay Board	Remote Source Selection
Optimized Transfer	Key Lockout Switch
Distribution Cabinet With I-Line Panelboard	Redundant Output Breaker
Input Contact Isolator Board	Transfer Inhibit
Comms Board w/Liebert® SiteScan® and Interface	Input Junction Boxes and Cable
Liebert® IntelliSlot™ Unity-DP	Seismic Floor Anchors
LED Display	Seismic Floor Stand - 18", 24", 30" and 36"

See **6.0 - OPTIONS** for more information.

16.0 EVENT MESSAGE HELP TEXT

Key:

ALL CAPS = Event message displayed in the Event Display panel in the lower left corner of the LCD display.

Indented text = help text shown in the Display Panel in the lower right corner of LCD display.

BOLD = commands that are sent through the RS-232 port.

S1 SCR SHORT

Source 1 SCR Short.

One or more of the SCRs for Source 1 has shorted. Transferring between sources has been inhibited.

Contact Vertiv™ for technical support at 800-543-2378.

Press SILENCE on the touchscreen to turn Off the audible alarm, if so configured. If you are accessing the Liebert® STS2™ system from a terminal, type SH and press RETURN on your keyboard to turn Off the audible alarm.

This event and the system status surrounding it have been written to a History Log if the History Logs were not already full. This event was also written to the Event Log, if so configured.

S2 SCR SHORT

Source 2 SCR Short.

One or more of the SCRs for Source 2 has shorted. Transferring between sources has been inhibited.

Press SILENCE on the touchscreen to turn Off the audible alarm, if so configured. If you are accessing the Liebert® STS2™ system from a terminal, type SH and press RETURN on your keyboard to turn Off the audible alarm.

This event and the system status surrounding it have been written to a History Log if the History Logs were not already full. This event was also written to the Event Log, if so configured.

S1 SCR OPEN

Source 1 SCR Open.

One or more SCRs on Source 1 is open. Transferring between sources has been inhibited.

Contact Vertiv™ at 800-543-2378.

Liebert® STS2™ output has been transferred to Source 2.

Press SILENCE on the touchscreen to turn Off the audible alarm, if so configured. If you are accessing the Liebert® STS2™ system from a terminal, type SH and press RETURN on your keyboard to turn Off the audible alarm.

This event and the system status surrounding it have been written to a History Log if the History Logs were not already full. This event was also written to the Event Log, if so configured.

S2 SCR OPEN

Source 2 SCR Open.

One or more SCRs on Source 2 is open. Transferring between sources has been inhibited.

Liebert® STS2™ output has been transferred to Source 1.

Contact Vertiv™ at 800-543-2378.

Press SILENCE on the touchscreen to turn Off the audible alarm, if so configured. If you are accessing the Liebert® STS2™ system from a terminal, type SH and press RETURN on your keyboard to turn Off the audible alarm.

This event and the system status surrounding it have been written to a History Log if the History Logs were not already full. This event was also written to the Event Log, if so configured.

PRIMARY FAN FAIL

Primary Fan Failure.

One of the primary cooling fans for the Liebert® STS2™ has failed. The alternate fans are now running. The alternate fans are not monitored.

Contact Vertiv™ for technical support at 800-543-2378.

Press SILENCE on the touchscreen to turn Off the audible alarm, if so configured. If you are accessing the Liebert® STS2™ system from a terminal, type SH and press RETURN on your keyboard to turn Off the audible alarm.

This event was written to the Event Log, if so configured.

CONTROL MODULE FAIL

Control logic module has failed.

One of the control modules on the control board has failed.

Contact Vertiv™ at 800-543-2378.

Press SILENCE on the touchscreen to turn Off the audible alarm, if so configured. If you are accessing the Liebert® STS2™ system from a terminal, type **SH** and press RETURN on your keyboard to turn Off the audible alarm.

This event was written to the Event Log, if so configured.

If configured to be a latching alarm, press RESET on the display. If you are accessing the unit from a terminal, type **CA** and press RETURN on your keyboard.

PWR SPLY DC A FAIL

Power Supply DC Bus A Failed.

The primary power supply is no longer providing DC power to the control board and the touchscreen.

Contact Vertiv™ at 800-543-2378.

Press SILENCE on the touchscreen to turn Off the audible alarm, if so configured. If you are accessing the Liebert® STS2™ system from a terminal, type **SH** and press RETURN on your keyboard to turn Off the audible alarm.

This event was written to the Event Log, if so configured.

If configured to be a latching alarm, press RESET on the display. If you are accessing the unit from a terminal, type **CA** and press RETURN on your keyboard.

PWR SPLY DC B FAIL

Power Supply DC Bus B Failed.

The secondary power supply is no longer providing DC power to the control board and CAN options.

Contact Vertiv™ at 800-543-2378.

Press SILENCE on the touchscreen to turn Off the audible alarm, if so configured. If you are accessing the Liebert® STS2™ system from a terminal, type **SH** and press RETURN on your keyboard to turn Off the audible alarm.

This event was written to the Event Log, if so configured.

If configured to be a latching alarm, press RESET on the display. If you are accessing the unit from a terminal, type **CA** and press RETURN on your keyboard.

PWR SPLY S1 AC FAIL

Power Supply Source 1 AC Failed.

The AC input power to the power supplies from Source 1 has failed. The power supplies are now operating on AC power from Source 2. The AC input from Source 1 is still good.

Contact Vertiv™ at 800-543-2378.

Press SILENCE on the touchscreen to turn Off the audible alarm, if so configured. If you are accessing the Liebert® STS2™ system from a terminal, type SH and press RETURN on your keyboard to turn Off the audible alarm.

This event was written to the Event Log, if so configured.

If configured to be a latching alarm, press RESET on the display. If you are accessing the unit from a terminal, type **CA** and press RETURN on your keyboard.

PWR SPLY S2 AC FAIL

Power Supply Source 2 AC Failed.

The AC input power to the power supplies from Source 2 has failed. The power supplies are now operating on AC power from Source 1. The AC input from Source 2 is still good.

Contact Vertiv™ at 800-543-2378.

Press SILENCE on the touchscreen to turn Off the audible alarm, if so configured. If you are accessing the Liebert® STS2™ system from a terminal, type SH and press RETURN on your keyboard to turn Off the audible alarm.

This event was written to the Event Log, if so configured.

If configured to be a latching alarm, press RESET on the display. If you are accessing the unit from a terminal, type **CA** and press RETURN on your keyboard.

PWR SPLY LOGIC FAIL

Power Supply Module Failed.

The power supply logic module contained in the primary power supply has failed.

Contact Vertiv™ at 800-543-2378.

Press SILENCE on the touchscreen to turn Off the audible alarm, if so configured. If you are accessing the Liebert® STS2™ system from a terminal, type SH and press RETURN on your keyboard to turn Off the audible alarm.

This event was written to the Event Log, is so configured.

If configured to be a latching alarm, press RESET on the display. If you are accessing the unit from a terminal, type **CA** and press RETURN on your keyboard.

OUT VOLT SENSE FAIL

Output Voltage Sense Module Failed.

The module contained on the snubber monitoring the output voltage has failed.

Press SILENCE on the touchscreen to turn Off the audible alarm, if so configured. If you are accessing the Liebert® STS2™ system from a terminal, type SH and press RETURN on your keyboard to turn Off the audible alarm.

Contact Vertiv™ at 800-543-2378.

This event was written to the Event Log, if so configured.

If configured to be a latching alarm, press RESET on the display. If you are accessing the unit from a terminal, type **CA** and press RETURN on your keyboard.

S1 VOLT SENSE FAIL

Source 1 Voltage Sense Module Failed.

The module contained on the snubber monitoring the input voltage from Source 1 has failed.

Press SILENCE on the touchscreen to turn Off the audible alarm, if so configured. If you are accessing the Liebert® STS2™ system from a terminal, type SH and press RETURN on your keyboard to turn Off the audible alarm.

Contact Vertiv™ at 800-543-2378.

This event was written to the Event Log, if so configured.

If configured to be a latching alarm, press RESET on the display. If you are accessing the unit from a terminal, type **CA** and press RETURN on your keyboard.

S2 VOLT SENSE FAIL

Source 2 Voltage Sense Module Failed.

The module contained on the snubber monitoring the input voltage from Source 2 has failed.

Press SILENCE on the touchscreen to turn Off the audible alarm, if so configured. If you are accessing the Liebert® STS2™ system from a terminal, type SH and press RETURN on your keyboard to turn Off the audible alarm.

Contact Vertiv™ at 800-543-2378.

This event was written to the Event Log, if so configured.

If configured to be a latching alarm, press RESET on the display. If you are accessing the Liebert® STS2™ system from a terminal, type **CA** and press RETURN on your keyboard.

S1 SCR SENSE FAIL

Source 1 SCR Sense Module Failed.

The module contained on the snubber monitoring the SCRs for Source 1 has failed.

Press SILENCE on the touchscreen to turn Off the audible alarm, if so configured. If you are accessing the Liebert® STS2™ system from a terminal, type SH and press RETURN on your keyboard to turn Off the audible alarm.

Contact Vertiv™ at 800-543-2378.

This event was written to the Event Log, if so configured.

If configured to be a latching alarm, press RESET on the display. If you are accessing the Liebert® STS2™ system from a terminal, type **CA** and press RETURN on your keyboard.

S2 SCR SENSE FAIL

Source 2 SCR Sense Module Failed.

The module contained on the snubber monitoring the SCRs for Source 2 has failed.

Press SILENCE on the touchscreen to turn Off the audible alarm, if so configured. If you are accessing the Liebert® STS2™ system from a terminal, type SH and press RETURN on your keyboard to turn Off the audible alarm.

Contact Vertiv™ at 800-543-2378.

This event was written to the Event Log, if so configured.

If configured to be a latching alarm, press RESET on the display. If you are accessing the Liebert® STS2™ system from a terminal, type **CA** and press RETURN on your keyboard.

S1 CURR SENSE FAIL

Source 1 Current Sense Failure.

The module monitoring the current from Source 1 has failed. This module is contained on the left side gate driver board.

Press SILENCE on the touchscreen to turn Off the audible alarm, if so configured. If you are accessing the Liebert® STS2™ system from a terminal, type SH and press RETURN on your keyboard to turn Off the audible alarm.

This event was written to the Events Log, if so configured.

If configured to be a latching alarm, press RESET on the display. If you are accessing the Liebert® STS2™ system from a terminal, type **CA** and press RETURN on your keyboard.

S2 CURR SENSE FAIL

Source 2 Current Sense Failure.

The module monitoring the current from Source 2 has failed. This module is contained on the right side gate driver board.

Press SILENCE on the touchscreen to turn Off the audible alarm, if so configured. If you are accessing the Liebert® STS2™ system from a terminal, type SH and press RETURN on your keyboard to turn Off the audible alarm.

This event was written to the Events Log, if so configured.

If configured to be a latching alarm, press RESET on the display. If you are accessing the Liebert® STS2™ system from a terminal, type **CA** and press RETURN on your keyboard.

S1 GATE DRIVE FAIL

Source 1 Gate Drive Failure.

The gate drive module for an SCR for Source 1 has failed. This module is contained on the right side gate driver board.

Press SILENCE on the touchscreen to turn Off the audible alarm, if so configured. If you are accessing the Liebert® STS2™ system from a terminal, type SH and press RETURN on your keyboard to turn Off the audible alarm.

Contact Vertiv™ at 800-543-2378.

This event was written to the Event Log, if so configured.

If configured to be a latching alarm, press RESET on the display. If you are accessing the Liebert® STS2™ system from a terminal, type **CA** and press RETURN on your keyboard.

S2 GATE DRIVE FAIL

Source 2 Gate Drive Failure.

The gate drive module for an SCR for Source 2 has failed. This module is contained on the left side gate driver board.

Press SILENCE on the touchscreen to turn Off the audible alarm, if so configured. If you are accessing the Liebert® STS2™ system from a terminal, type SH and press RETURN on your keyboard to turn Off the audible alarm.

Contact Vertiv™ for technical support at 800-543-2378.

This event was written to the Event Log, if so configured.
If configured to be a latching alarm, press RESET on the display. If you are accessing the unit from a terminal, type **CA** and press RETURN on your keyboard.

INTERNAL COMM FAIL

Internal CAN Communications Failed.

Communications have failed in the CAN bus between the control board and the touchscreen control. Press SILENCE on the touchscreen to turn Off the audible alarm, if so configured. If you are accessing the Liebert® STS2™ system from a terminal, type SH and press RETURN on your keyboard to turn Off the audible alarm.

Contact Vertiv™ at 800-543-2378.

This event was written to the Event Log, if so configured.

If configured to be a latching alarm, press RESET on the display. If you are accessing the unit from a terminal, type **CA** and press RETURN on your keyboard.

EXTERNAL COMM FAIL

External Communications Failed.

Communications have failed between the control board and the CAN options.

Press SILENCE on the touchscreen to turn Off the audible alarm, if so configured. If you are accessing the unit from a terminal, type **SH** and press RETURN on your keyboard to turn Off the audible alarm.

Contact Vertiv™ at 800-543-2378.

This event was written to the Event Log, if so configured.

If configured to be a latching alarm, press RESET on the display. If you are accessing the unit from a terminal, type **CA** and press RETURN on your keyboard.

CB1 SHUNT TRIP FAIL

Circuit Breaker 1 Shunt Trip Failure.

Circuit Breaker 1 failed to trip open when the control issued a command for the circuit breaker to trip. Press SILENCE on the touchscreen to turn Off the audible alarm, if so configured. If you are accessing the Liebert® STS2™ system from a terminal, type SH and press RETURN on your keyboard to turn Off the audible alarm.

Contact Vertiv™ at 800-543-2378.

This event was written to the Event Log, if so configured.

If configured to be a latching alarm, press RESET on the display. If you are accessing the unit from a terminal, type **CA** and press RETURN on your keyboard.

CB2 SHUNT TRIP FAIL

Circuit Breaker 2 Shunt Trip Failure.

Circuit Breaker 2 failed to trip open when the control issued a command for the circuit breaker to trip. Press SILENCE on the touchscreen to turn Off the audible alarm, if so configured. If you are accessing the Liebert® STS2™ system from a terminal, type SH and press RETURN on your keyboard to turn Off the audible alarm.

Contact Vertiv™ at 800-543-2378.

This event was written to the Event Log, if so configured.

If configured to be a latching alarm, press RESET on the display. If you are accessing the unit from a terminal, type **CA** and press RETURN on your keyboard.

HEAT SINK OVERTEMP

Heat Sink Over Temperature.

The system heat sink temperature has exceeded the design limits.

Take immediate steps to cool the unit. Remove obstructions from the air inlet in the front of the unit.

Remove and replace the air filter behind the front door. A standard furnace filter can be used.

Press SILENCE on the touchscreen to turn Off the audible alarm, if so configured. If you are accessing the Liebert® STS2™ system from a terminal, type SH and press RETURN on your keyboard to turn Off the audible alarm.

This event was written to the Event Log, if so configured.

S1 UV

Source 1 Under Voltage (fast detection).

The input voltage from Source 1 dropped below a set percentage of the nominal voltage, as set in the Fast UV set point under the User Settings. An S1 Fail alarm was also issued and source transfer has been inhibited.

The load of the Liebert® STS2™ has been transferred to Source 2.

Press SILENCE on the touchscreen to turn Off the audible alarm, if so configured. If you are accessing the Liebert® STS2™ system from a terminal, type SH and press RETURN on your keyboard to turn Off the audible alarm.

This event was written to the Event Log, if so configured.

If configured to be a latching alarm, press RESET on the display. If you are accessing the unit from a terminal, type **CA** and press RETURN on your keyboard.

S1 UV (RMS)

Source 1 Under Voltage (slow detection).

The input voltage from Source 1 remained below a set percentage of the nominal voltage for a designated period, as set in the Slow UV Setting and Slow UV Detection Delay set points configured under the User Settings. An S1 Fail alarm was also issued and source transfer has been inhibited.

The load of the Liebert® STS2™ has been transferred to Source 2.

Press SILENCE on the touchscreen to turn Off the audible alarm, if so configured. If you are accessing the Liebert® STS2™ system from a terminal, type SH and press RETURN on your keyboard to turn Off the audible alarm.

The alarm is latched and must be reset after the voltage returns to the nominal voltage. If the Reset option is not configured for AUTO (automatic reset), then the reset action must be done manually. When the voltage is within acceptable parameters, touch the RESET button on the touchscreen. If you are accessing the unit from a terminal, type **CA** and press RETURN on your keyboard.

This event was written to the Event Log, if so configured.

S1 OV

Source 1 Over Voltage.

The input voltage from Source 1 exceeded a set percentage of the nominal voltage, as set in the OV Setting and OV Detection Delay set points configured under the User Settings. An S1 Fail alarm was also issued and source transfer has been inhibited.

The load of the Liebert® STS2™ has been transferred to Source 2.

Press SILENCE on the touchscreen to turn Off the audible alarm, if so configured. If you are accessing the Liebert® STS2™ system from a terminal, type SH and press RETURN on your keyboard to turn Off the audible alarm.

This event was written to the Event Log, if so configured.

If configured to be a latching alarm, press RESET on the display. If you are accessing the unit from a terminal, type **CA** and press RETURN on your keyboard.

S1 OF/UF

Source 1 Over Frequency/Under Frequency.

The frequency for Source 1 is running outside the acceptable operating range, as set in the Frequency Trip Point under User Settings. An S1 Fail alarm was also issued and source transfer has been inhibited.

Press SILENCE on the touchscreen to turn Off the audible alarm, if so configured. If you are accessing the Liebert® STS2™ system from a terminal, type SH and press RETURN on your keyboard to turn Off the audible alarm.

This event was written to the Event Log, if so configured.

If configured to be a latching alarm, press RESET on the display. If you are accessing the unit from a terminal, type **CA** and press RETURN on your keyboard.

S1 FAIL

Source 1 Failure.

Source 1 has failed due to under voltage (UV), over voltage (OV), or running over or under frequency (OF/UF). This alarm is a companion to S1 UV, S1 UV (RMS), S1 OV and S1 OF/UF.

The load of the Liebert® STS2™ has been transferred to Source 2.

Press SILENCE on the touchscreen to turn Off the audible alarm, if so configured. If you are accessing the Liebert® STS2™ system from a terminal, type SH and press RETURN on your keyboard to turn Off the audible alarm.

This event has been written to the Event Log, if so configured.

If configured to be a latching alarm, press RESET on the display. If you are accessing the unit from a terminal, type **CA** and press RETURN on your keyboard.

S2 UV

Source 2 Under Voltage (fast detection).

The input voltage from Source 2 dropped below a set percentage of the nominal voltage, as set in the Fast UV setpoint under the User Settings. An S2 Fail alarm was also issued and source transfer has been inhibited.

The load of the Liebert® STS2™ has been transferred to Source 1.

Press SILENCE on the touchscreen to turn Off the audible alarm, if so configured. If you are accessing the Liebert® STS2™ system from a terminal, type SH and press RETURN on your keyboard to turn Off the audible alarm.

This event was written to the Event Log, if so configured.

If configured to be a latching alarm, press RESET on the display. If you are accessing the unit from a terminal, type **CA** and press RETURN on your keyboard.

S2 UV (RMS)

Source 2 Under Voltage (slow detection).

The input voltage from Source 2 remained below a set percentage of the nominal voltage for a designated period, as set in the Slow UV Setting and Slow UV Detection Delay set points configured under the User Settings. An S2 Fail alarm was also issued and source transfer has been inhibited.

The load of the Liebert® STS2™ has been transferred to Source 1.

Press SILENCE on the touchscreen to turn Off the audible alarm, if so configured. If you are accessing the Liebert® STS2™ system from a terminal, type SH and press RETURN on your keyboard to turn Off the audible alarm.

The alarm is latched and must be reset after the voltage returns to the nominal voltage. If the Reset option is not configured for AUTO (automatic reset), then the reset action must be done manually. When the voltage is within acceptable parameters, touch the RESET button on the touchscreen. If you are accessing the unit from a terminal, type **CA** and press RETURN on your keyboard.

This event was written to the Event Log, if so configured.

S2 OV

Source 2 Over Voltage.

The input voltage from Source 2 exceeded a set percentage of the nominal voltage, as set in the OV Setting and OV Detection Delay set points configured under the User Settings. An S2 Fail alarm was also issued and source transfer has been inhibited.

The load of the Liebert® STS2™ has been transferred to Source 1.

Press SILENCE on the touchscreen to turn Off the audible alarm, if so configured. If you are accessing the Liebert® STS2™ system from a terminal, type SH and press RETURN on your keyboard to turn Off the audible alarm.

This event was written to the Event Log, if so configured.

If configured to be a latching alarm, press RESET on the display. If you are accessing the unit from a terminal, type **CA** and press RETURN on your keyboard.

S2 UF/OF

Source 2 Under Frequency/Over Frequency.

The frequency for Source 2 is running outside the acceptable operating range, as set in the Frequency Trip Point under User Settings. An S2 Fail alarm was also issued and source transfer has been inhibited.

Press SILENCE on the touchscreen to turn Off the audible alarm, if so configured. If you are accessing the Liebert® STS2™ system from a terminal, type SH and press RETURN on your keyboard to turn Off the audible alarm.

This event was written to the Event Log, if so configured.

If configured to be a latching alarm, press RESET on the display. If you are accessing the unit from a terminal, type **CA** and press RETURN on your keyboard.

S2 FAIL

Source 2 Failure.

Source 2 has failed due to under voltage (UV), over voltage (OV), or running with an over or under frequency (OF/UF). This alarm is a companion to S2 UV, S2 UV (RMS), S2 OV and S2 OF/UF.

The load of the Liebert® STS2™ has been transferred to Source 1.

Press SILENCE on the touchscreen to turn Off the audible alarm, if so configured. If you are accessing the Liebert® STS2™ system from a terminal, type SH and press RETURN on your keyboard to turn Off the audible alarm.

This event was written to the Event Log, if so configured.

If configured to be a latching alarm, press RESET on the display. If you are accessing the unit from a terminal, type **CA** and press RETURN on your keyboard.

S1 OVERCURRENT

Source 1 Overcurrent.

Liebert® STS2™ is running on Source 1 and an overload condition has occurred on one or more phases.

Note: The overload setpoint is a single fixed number--101%. An overload condition is detected when the measured load current is equal to or greater than the setpoint.

Press SILENCE on the touchscreen to turn Off the audible alarm, if so configured. If you are accessing the Liebert® STS2™ system from a terminal, type SH and press RETURN on your keyboard to turn Off the audible alarm.

This event was written to the Event Log, if so configured.

If configured to be a latching alarm, press RESET on the display. If you are accessing the unit from a terminal, type **CA** and press RETURN on your keyboard.

S2 OVERCURRENT

Source 1 Overcurrent.

Liebert® STS2™ is running on Source 2 and an overload condition has occurred on one or more phases.

Note: The overload setpoint is a single fixed number--101%. An overload condition is detected when the measured load current is equal to or greater than the setpoint.

Press SILENCE on the touchscreen to turn Off the audible alarm, if so configured. If you are accessing the Liebert® STS2™ system from a terminal, type SH and press RETURN on your keyboard to turn Off the audible alarm.

This event was written to the Event Log, if so configured.

If configured to be a latching alarm, press RESET on the display. If you are accessing the unit from a terminal, type **CA** and press RETURN on your keyboard.

S1 I-PEAK

Current Peak on Source 1.

The peak current from Source 1 has exceeded the set point as defined in the I-PK Xfer Lockout setting under User Settings.

Transferring to Source 2 has been inhibited.

Press SILENCE on the touchscreen to turn Off the audible alarm, if so configured. If you are accessing the Liebert® STS2™ system from a terminal, type SH and press RETURN on your keyboard to turn Off the audible alarm.

This event and the system status surrounding it have been written to a History Log if the History Logs were not already full. This event was also written to the Event Log, if so configured.

If this alarm is configured to automatically reset under the set points for User Settings, the alarm clears itself when the I-Peak condition clears.

If this alarm is set for manual reset mode, the alarm continues to show as active after the current returns to nominal, still inhibiting transfers. You will need to manually reset the alarm. If configured to be a latching alarm, press RESET on the display. If you are accessing the unit from a terminal, type **CA** and press RETURN on your keyboard.

S2 I-PEAK

Current Peak on Source 2.

The peak current from Source 2 has exceeded the set point as defined in the I-PK Xfer Lockout setting under User Settings.

Transferring to Source 1 has been inhibited.

Press SILENCE on the touchscreen to turn Off the audible alarm, if so configured. If you are accessing the Liebert® STS2™ system from a terminal, type SH and press RETURN on your keyboard to turn Off the audible alarm.

This event and the system status surrounding it have been written to a History Log if the History Logs were not already full. This event was also written to the Event Log, if so configured.

If this alarm is configured to automatically reset under the set points for User Settings, the alarm clears itself when the I-Peak condition clears.

If this alarm is set for manual reset mode, the alarm continues to show as active after the current returns to nominal, still inhibiting transfers. You will need to manually reset the alarm. If configured to be a latching alarm, press RESET on the display. If you are accessing the unit from a terminal, type **CA** and press RETURN on your keyboard.

SOURCES OUT OF SYNC

Sources out of synchronization.

The phase difference between Source 1 and Source 2 has exceeded the deviation as set for MANUAL MAX XFER PHASE ANGLE under User Settings.

A manual transfer cannot take place while the sources are not synchronized.

Press SILENCE on the touchscreen to turn Off the audible alarm, if so configured. If you are accessing the Liebert® STS2™ system from a terminal, type SH and press RETURN on your keyboard to turn Off the audible alarm.

The event was written to the Event Log, if so configured.

If configured to be a latching alarm, press RESET on the display. If you are accessing the unit from a terminal, type **CA** and press RETURN on your keyboard.

LOAD ON ALT SOURCE

Liebert® STS2™ load on the alternate source.

The static transfer switch is running on the alternate power source. Check the Event Log to determine the reason for the transfer from the preferred source.

Another event has caused the system to transfer to the alternate source. The system returns the load to the preferred source either automatically or manually, depending on how the system is configured.

In automatic reset mode, the Liebert® STS2™ automatically retransfers to the preferred source after the causal condition clears.

In manual reset mode, the system remains on the alternate source after the causal event clears until you select RESET from the touchscreen, or enter **CA** (Clear Alarms) from a service terminal. Pressing the RESET button returns the unit to the preferred source. Ensure that the condition that triggered the switch has been rectified before returning to the preferred source. Press SILENCE on the touchscreen to turn Off the audible alarm, if so configured. If you are accessing the Liebert® STS2™ system from a terminal, type SH and press RETURN on your keyboard to turn Off the audible alarm. This event was written to the Event Log, if so configured.

AUTO REXFER INHIBIT

Automatic Retransfer Inhibited.

The system made five transfers from the preferred source to the alternate source in the last five minutes. As a result, automatic retransfers back to the preferred source is now disabled.

To clear this alarm condition, assign the alternate source as the preferred source.

This alarm also is cleared if the unit transfers to the preferred source due to an alternate source AC volt failure (i.e., an emergency transfer).

Press SILENCE on the touchscreen to turn Off the audible alarm, if so configured. If you are accessing the Liebert® STS2™ system from a terminal, type SH and press RETURN on your keyboard to turn Off the audible alarm.

The event was written to the Event Log, if so configured.

If configured to be a latching alarm, press RESET on the display. If you are accessing the unit from a terminal, type **CA** and press RETURN on your keyboard.

CB1 (S1) OPEN

Circuit Breaker 1 (for Source 1) Open.

Circuit Breaker 1 is not closed.

Check that the Circuit Breaker 1 switch is in the desired position.

Press SILENCE on the touchscreen to turn Off the audible alarm, if so configured. If you are accessing the Liebert® STS2™ system from a terminal, type SH and press RETURN on your keyboard to turn Off the audible alarm.

This event was written to the Event Log, if so configured.

If configured to be a latching alarm, press RESET on the display. If you are accessing the unit from a terminal, type **CA** and press RETURN on your keyboard.

CB2 (S2) OPEN

Circuit Breaker 2 (for Source 2) Open.

Circuit Breaker 2 is not closed.

Check that the Circuit Breaker 2 switch is in the desired position.

Press SILENCE on the touchscreen to turn Off the audible alarm, if so configured. If you are accessing the Liebert® STS2™ system from a terminal, type SH and press RETURN on your keyboard to turn Off the audible alarm.

This event was written to the Event Log, if so configured.

If configured to be a latching alarm, press RESET on the display. If you are accessing the unit from a terminal, type **CA** and press RETURN on your keyboard.

CB4 (S1 BYP) CLOSED

Circuit Breaker 4 (Source 1 Bypass Breaker) Closed.

Circuit breaker 4 is not open. The input from Source 1 is bypassing the static transfer switch.

Press SILENCE on the touchscreen to turn Off the audible alarm, if so configured. If you are accessing the Liebert® STS2™ system from a terminal, type SH and press RETURN on your keyboard to turn Off the audible alarm.

This event was written to the Event Log, if so configured.

If configured to be a latching alarm, press RESET on the display. If you are accessing the unit from a terminal, type **CA** and press RETURN on your keyboard.

CB5 (S1 BYP) CLOSED

Circuit Breaker 5 (Source 2 Bypass Breaker) Closed.

Circuit breaker 5 is not open. The input from Source 2 is bypassing the static transfer switch.

Press SILENCE on the touchscreen to turn Off the audible alarm, if so configured. If you are accessing the Liebert® STS2™ system from a terminal, type SH and press RETURN on your keyboard to turn Off the audible alarm.

This event was written to the Event Log, if so configured.

If configured to be a latching alarm, press RESET on the display. If you are accessing the unit from a terminal, type **CA** and press RETURN on your keyboard.

CB3 (OUTPUT) OPEN

Circuit Breaker 3 (Output breaker) Open.

Circuit breaker 3 is not closed. This circuit breaker is assigned to the output load. The power flow to the load cannot flow through the static transfer switch.

Press SILENCE on the touchscreen to turn Off the audible alarm, if so configured. If you are accessing the Liebert® STS2™ system from a terminal, type SH and press RETURN on your keyboard to turn Off the audible alarm.

This event was written to the Event Log, if so configured.

If configured to be a latching alarm, press RESET on the display. If you are accessing the unit from a terminal, type **CA** and press RETURN on your keyboard.

CB3A (OUTPUT) OPEN

Circuit Breaker 3A (Output breaker) is Open (Optional).

Circuit breaker 3A is not closed. This circuit breaker is assigned to the output load. The power flow to the load cannot flow through the static transfer switch.

Press SILENCE on the touchscreen to turn Off the audible alarm, if so configured. If you are accessing the Liebert® STS2™ system from a terminal, type SH and press RETURN on your keyboard to turn Off the audible alarm.

This event was written to the Event Log, if so configured.

If configured to be a latching alarm, press RESET on the display. If you are accessing the unit from a terminal, type **CA** and press RETURN on your keyboard.

S1 PHASE ROT ERROR

Source 1 Phase Rotation Error.

A phase rotation error condition exists on Source 1. Check the phase sequence (ABC) of Source 1.

Transferring to Source 1 has been inhibited.

Press SILENCE on the touchscreen to turn Off the audible alarm, if so configured. If you are accessing the Liebert® STS2™ system from a terminal, type SH and press RETURN on your keyboard to turn Off the audible alarm.

This event was written to the Event Log, if so configured.

If configured to be a latching alarm, press RESET on the display. If you are accessing the unit from a terminal, type **CA** and press RETURN on your keyboard.

S2 PHASE ROT ERROR

Source 2 Phase Rotation Error.

A phase rotation error condition exists on Source 2. Check the phase sequence (ABC) of Source 2.

Transferring to Source 1 has been inhibited.

Press SILENCE on the touchscreen to turn Off the audible alarm, if so configured. If you are accessing the Liebert® STS2™ system from a terminal, type SH and press RETURN on your keyboard to turn Off the audible alarm.

This event was written to the Event Log, if so configured.

If configured to be a latching alarm, press RESET on the display. If you are accessing the unit from a terminal, type **CA** and press RETURN on your keyboard.

TRANSFER INHIBITED

Transfer Inhibited.

Uninterrupted transfer between sources is inhibited due to input source failure, sources out of sync, switch failure, or the unit is in bypass mode.

Check the Event Log for the event or events that may have caused the alarm.

Press SILENCE on the touchscreen to turn Off the audible alarm, if so configured. If you are accessing the Liebert® STS2™ system from a terminal, type SH and press RETURN on your keyboard to turn Off the audible alarm.

This event was written to the Event Log, if so configured.

If configured to be a latching alarm, press **RESET** on the display. If you are accessing the unit from a terminal, type **CA** and press **RETURN** on your keyboard.

OUTPUT UV

Output Undervoltage.

The voltage being supplied to the load has dropped below the acceptable nominal voltage. Check the input voltage from both sources.

This event and the system status surrounding it have been written to a History Log if the History Logs were not already full. This event was also written to the Event Log, if so configured.

Press SILENCE on the touchscreen to turn Off the audible alarm, if so configured. If you are accessing the Liebert® STS2™ system from a terminal, type SH and press RETURN on your keyboard to turn Off the audible alarm.

If configured to be a latching alarm, press RESET on the display. If you are accessing the unit from a terminal, type **CA** and press RETURN on your keyboard.

INPUT CONTACT #1

Input Contact Isolator #1.

Occurrence of the indicated external event has been detected by Input Contact Isolator #1 of the Open Comms Digital Input option board.

Press SILENCE on the touchscreen to turn Off the audible alarm, if so configured. If you are accessing the Liebert® STS2™ system from a terminal, type SH and press RETURN on your keyboard to turn Off the audible alarm.

The event, with its assigned name, was written to the Event Log, if so configured.

If configured to be a latching alarm, press RESET on the display. If you are accessing the unit from a terminal, type **CA** and press RETURN on your keyboard.

INPUT CONTACT #2

Input Contact Isolator #2.

Occurrence of the indicated external event has been detected by Input Contact Isolator #2 of the Open Comms Digital Input option board.

Press SILENCE on the touchscreen to turn Off the audible alarm, if so configured. If you are accessing the Liebert® STS2™ system from a terminal, type SH and press RETURN on your keyboard to turn Off the audible alarm.

The event, with its assigned name, was written to the Event Log, if so configured.

If configured to be a latching alarm, press RESET on the display. If you are accessing the unit from a terminal, type **CA** and press RETURN on your keyboard.

INPUT CONTACT #3

Input Contact Isolator #3.

Occurrence of the indicated external event has been detected by Input Contact Isolator #3 of the Open Comms Digital Input option board.

Press SILENCE on the touchscreen to turn Off the audible alarm, if so configured. If you are accessing the Liebert® STS2™ system from a terminal, type SH and press RETURN on your keyboard to turn Off the audible alarm.

The event, with its assigned name, was written to the Event Log, if so configured.

If configured to be a latching alarm, press RESET on the display. If you are accessing the unit from a terminal, type **CA** and press RETURN on your keyboard.

INPUT CONTACT #4

Input Contact Isolator #4.

Occurrence of the indicated external event has been detected by Input Contact Isolator #4 of the Open Comms Digital Input option board.

Press SILENCE on the touchscreen to turn Off the audible alarm, if so configured. If you are accessing the Liebert® STS2™ system from a terminal, type SH and press RETURN on your keyboard to turn Off the audible alarm.

The event, with its assigned name, was written to the Event Log, if so configured.

If configured to be a latching alarm, press **RESET** on the display. If you are accessing the unit from a terminal, type **CA** and press **RETURN** on your keyboard.

INPUT CONTACT #5

Input Contact Isolator #5.

Occurrence of the indicated external event has been detected by Input Contact Isolator #5 of the Open Comms Digital Input option board.

Press SILENCE on the touchscreen to turn Off the audible alarm, if so configured. If you are accessing the Liebert® STS2™ system from a terminal, type SH and press RETURN on your keyboard to turn Off the audible alarm.

The event, with its assigned name, was written to the Event Log, if so configured.

If configured to be a latching alarm, press RESET on the display. If you are accessing the unit from a terminal, type **CA** and press RETURN on your keyboard.

INPUT CONTACT #6

Input Contact Isolator #6.

Occurrence of the indicated external event has been detected by Input Contact Isolator #6 of the Open Comms Digital Input option board.

Press SILENCE on the touchscreen to turn Off the audible alarm, if so configured. If you are accessing the Liebert® STS2™ system from a terminal, type SH and press RETURN on your keyboard to turn Off the audible alarm.

The event, with its assigned name, was written to the Event Log, if so configured.

If configured to be a latching alarm, press RESET on the display. If you are accessing the unit from a terminal, type **CA** and press RETURN on your keyboard.

INPUT CONTACT #7

Input Contact Isolator #7.

Occurrence of the indicated external event has been detected by Input Contact Isolator #7 of the Open Comms Digital Input option board.

Press SILENCE on the touchscreen to turn Off the audible alarm, if so configured. If you are accessing the Liebert® STS2™ system from a terminal, type SH and press RETURN on your keyboard to turn Off the audible alarm.

The event, with its assigned name, was written to the Event Log, if so configured.

If configured to be a latching alarm, press RESET on the display. If you are accessing the unit from a terminal, type **CA** and press RETURN on your keyboard.

INPUT CONTACT #8

Input Contact Isolator #8.

Occurrence of the indicated external event has been detected by Input Contact Isolator #8 of the Open Comms Digital Input option board.

Press SILENCE on the touchscreen to turn Off the audible alarm, if so configured. If you are accessing the Liebert® STS2™ system from a terminal, type SH and press RETURN on your keyboard to turn Off the audible alarm.

The event, with its assigned name, was written to the Event Log, if so configured.

If configured to be a latching alarm, press RESET on the display. If you are accessing the unit from a terminal, type **CA** and press RETURN on your keyboard.

CONFIG MODIFIED

Configuration Modified.

A set point has been updated and saved.

Press SILENCE on the touchscreen to turn Off the audible alarm, if so configured. If you are accessing the Liebert® STS2™ system from a terminal, type SH and press RETURN on your keyboard to turn Off the audible alarm.

The event was written to the Event Log, if so configured.

If configured to be a latching alarm, press RESET on the display. If you are accessing the unit from a terminal, type **CA** and press RETURN on your keyboard.

PASSWORD CHANGED

Access Password Changed.

The password for accessing the HMI (touchscreen) options has been updated and saved.

Press SILENCE on the touchscreen to turn Off the audible alarm, if so configured. If you are accessing the Liebert® STS2™ system from a terminal, type SH and press RETURN on your keyboard to turn Off the audible alarm.

The event was written to the Event Log, if so configured.

If configured to be a latching alarm, press RESET on the display. If you are accessing the unit from a terminal, type **CA** and press RETURN on your keyboard.

TIME REPROGRAMMED

System Time Reprogrammed.

The system's time setting has been updated and saved.

Press SILENCE on the touchscreen to turn Off the audible alarm, if so configured. If you are accessing the Liebert® STS2™ system from a terminal, type SH and press RETURN on your keyboard to turn Off the audible alarm.

The event was written to the Event Log, if so configured.

If configured to be a latching alarm, press RESET on the display. If you are accessing the unit from a terminal, type **CA** and press RETURN on your keyboard.

DATE REPROGRAMMED

System Date Reprogrammed.

The system's date setting has been updated and saved.

Press SILENCE on the touchscreen to turn Off the audible alarm, if so configured. If you are accessing the Liebert® STS2™ system from a terminal, type SH and press RETURN on your keyboard to turn Off the audible alarm.

The event was written to the Event Log, if so configured.

If configured to be a latching alarm, press RESET on the display. If you are accessing the unit from a terminal, type **CA** and press RETURN on your keyboard.

EVENT LOG CLEARED

Event Log Cleared.

All past alarms and faults are no longer recorded in the system's event log.

Press SILENCE on the touchscreen to turn Off the audible alarm, if so configured. If you are accessing the Liebert® STS2™ system from a terminal, type SH and press RETURN on your keyboard to turn Off the audible alarm.

This event was written to the Event Log, if so configured.

If configured to be a latching alarm, press RESET on the display. If you are accessing the unit from a terminal, type **CA** and press RETURN on your keyboard.

HIST LOGS CLEARED

History Logs Cleared.

Both History Logs have been erased and the logs are now available to record future events.

Press SILENCE on the touchscreen to turn Off the audible alarm, if so configured. If you are accessing the Liebert® STS2™ system from a terminal, type SH and press RETURN on your keyboard to turn Off the audible alarm.

The event was written to the Event Log, if so configured.

If configured to be a latching alarm, press RESET on the display. If you are accessing the unit from a terminal, type **CA** and press RETURN on your keyboard.

HIST LOGS FULL

History Logs Full.

The history buffer has reached its capacity for both history logs. No further history logs can be written until the logs are cleared. The History Logs were frozen by the occurrence of two designated faults or alarms.

Both history logs have been frozen by significant events. These logs contain valuable diagnostic data regarding those events which may be useful if service is required. Once the logs have been analyzed and the causes for freezing them have been resolved, the history logs should be cleared to make them available for capturing future events.

To clear the History Logs, select the **CLEAR HLOG** button under the **LOGS > HISTORY LOG 1** or **LOGS > HISTORY LOG 2** menus to clear the History Status buffer after the alarms have been resolved.

If you are accessing the unit from a terminal, type **CHL** and press **RETURN** to clear the History Logs. Press **SILENCE** on the touchscreen to turn Off the audible alarm, if so configured. If you are accessing the Liebert® STS2™ system from a terminal, type **SH** and press **RETURN** on your keyboard to turn Off the audible alarm.

The event was written to the Event Log, if so configured.

If configured to be a latching alarm, press **RESET** on the display. If you are accessing the unit from a terminal, type **CA** and press **RETURN** on your keyboard.

17.0 MAINTENANCE

WARNING

Only properly trained and qualified service personnel should perform maintenance on the static switch.

Lethal voltages exist inside the unit during normal operation.

The unit is supplied by multiple AC power sources. Disconnect and lock-out all power sources before working inside unit.

Minimal periodic maintenance of the Liebert® STS2™ is required. As with all electrical distribution components, the system should be regularly inspected for electrical connection integrity, signs of excessive temperatures, dirt accumulation, and proper system operation.

17.1 Proper Tightening of Nuts and Bolts

The recommended tightening torque for all nuts and bolts is as shown below, unless otherwise labeled. All power connections are designed to remain at proper torque throughout the lifetime of the unit.

Table 20 Torque tightening

Bolt Shaft Size	Grade 5 - Imperial Grade 8.8 - Metric, in-lb (Nm)	Electrical Connections With Belleville Washers, lbf/in (Nm) *	
		One Belleville Washer	Two Belleville Washers
10-32	25 (3)	—	—
1/4-20	53 (6)	40 (4.5)	80 (9.0)
5/16-18	107 (12)	80 (9.0)	160 (18.0)
3/8-16	192 (22)	120 (13.6)	240 (27.1)
1/2-13	428 (48)	480 (54.2)	—

* Torque values are ±10%.

17.2 Testing the Liebert® STS2™

The Liebert® STS2™ includes comprehensive system alarms and fault detection to identify operational problems. To increase the degree of confidence of proper system operation, periodic transfer tests can be easily performed. For instructions for changing the preferred source and switching sources:

- For a Color Graphical Display unit, see **10.2 - Manual Transfer / Preferred Source Selection** on page 65.
- For an LED-equipped unit, see **14.2.2 - Manual Transfer / Preferred Source Selection** on page 111.

17.3 Changing the Air Filter

A standard furnace filter is installed behind the air intake in the front door. The air intake allows air to circulate to cool the unit. Replace the filter when it becomes dirty and impedes air flow. The frequency of changing or cleaning the filter depends on the location in which the unit is located. The size of the filter is 1 in. x 25 in. x 25 in. (2.54 cm x 63.5 cm x 63.5 cm).

APPENDIX A - SUPPORT INFORMATION

To contact Vertiv™ for information or repair service in the United States, call 800-543-2378. Vertiv™ is available to assure fast repair of your unit with minimal downtime. Vertiv™ offers a complete range of startup services, repair services, preventive maintenance plans, and service contracts.

For repair or maintenance service outside the 48 contiguous states, contact Vertiv™, if available in your area. For areas not covered by Vertiv™, the authorized distributor is responsible for providing qualified factory-authorized service. Additional telephone numbers and e-mail contact information is on the back page of this manual.

Have the following information available:

Part Number	_____
Serial Number	_____
Date Purchased	_____
Date Installed	_____
Location	_____
Current Rating	_____
Frequency	_____
Voltage	_____

APPENDIX B - PROGRAMMABLE RELAY BOARD SETTINGS RECORD

The optional Programmable Relay Board (PRB) has eight channels to report events to an external device. Up to ten (10) events can be programmed to each channel. See **6.1 - Programmable Relay Board** for more information on the PRB.

If your Liebert® STS2™ has the PRB option installed, list the settings below for future reference. If control power is lost in the Liebert® STS2™, the settings are not saved.

Channel 1:			
Channel 2:			
Channel 3:			
Channel 4:			
Channel 5:			
Channel 6:			
Channel 7:			

Channel 8:			
Channel 9:			
Channel 10:			
PRB Notes:			

APPENDIX C - INPUT CONTACT ISOLATOR SETTINGS RECORD

The Input Contact Isolator board (ICI) provides an Liebert® STS2™ module interface for up to eight external user alarm or message inputs to be routed through the Liebert® STS2™'s alarm network. See **6.4 - Input Contact Isolator Board** for more information on the ICI.

If your Liebert® STS2™ has the ICI option installed, list the settings below for future reference. If control power is lost in the Liebert® STS2™, the settings are not saved.

Channel 1: _____

Channel 2: _____

Channel 3: _____

Channel 4: _____

Channel 5: _____

Channel 6: _____

Channel 7: _____

Channel 8: _____

Notes



